



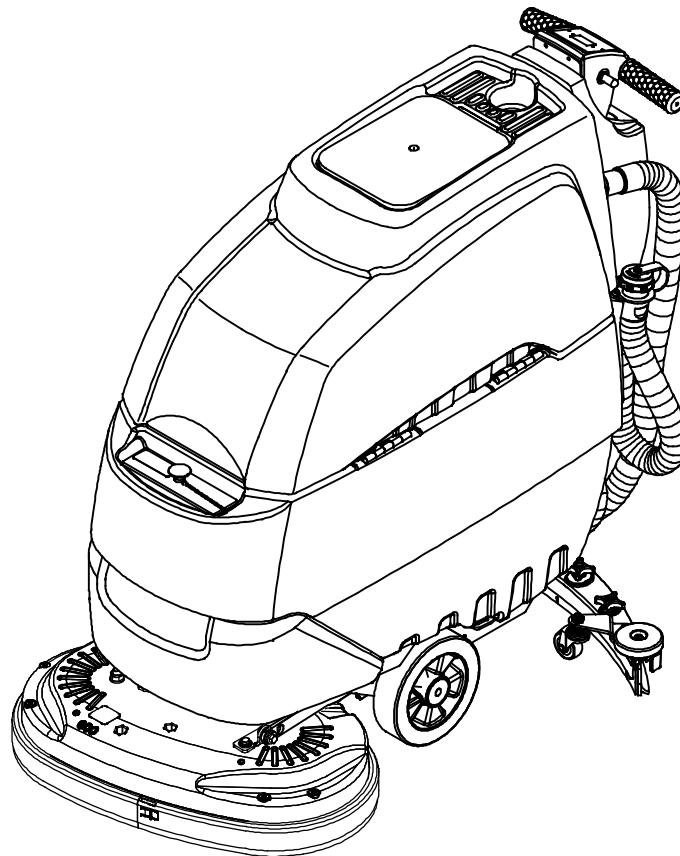
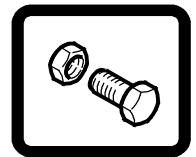
The Safe Scrubbing Alternative®

## SPEED SCRUB®

17 in / 20 in / 24 in AUTOMATIC SCRUBBER  
(S/N 10000000-20000000)



## PARTS MANUAL



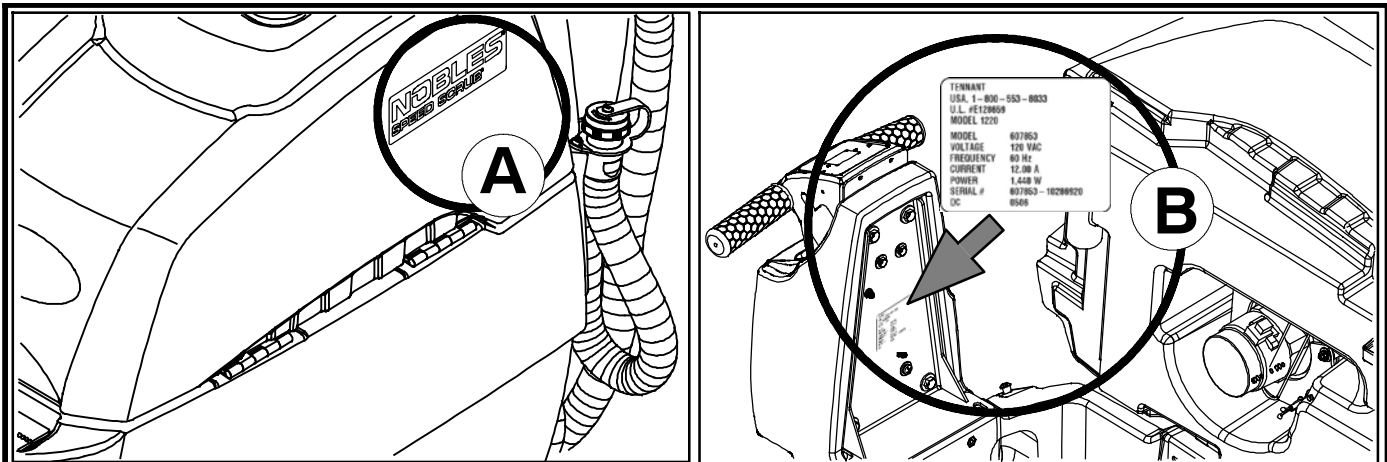
To view, print or download  
the latest manual, visit:

[www.nobles.com/manuals](http://www.nobles.com/manuals)

[www.nobles.com](http://www.nobles.com)

9005453  
Rev. 04 (07-2013)





Ref	Part No.	Serial Number	Description	Qty.
1	82681	(000000- )	Bracket Wldt, Lpg Mount	1
2	63810	(000000- )	Latch Assy, Lpg Tank Mtg, W/Nut	4
3	51839	(000000- )	Nut Adjustable, Lpg Tank Mtg	2
4	49263	(000000- )	Tie, Cable	3
5	82556	(000000- 001039)	Bracket, Vaporizer	1
6	54930	(000000- )	Vaporizer, LPG	1

**HOW TO ORDER PARTS - See diagram above**

Only use TENNANT Company supplied or equivalent parts. Parts and supplies may be ordered online, by phone, by fax or by mail.

Follow the steps below to ensure prompt delivery.

1. (A) Identify the machine model.
2. (B) Identify the machine serial number from the data label.
3. (C) Ensure the proper serial number is used from the parts list.
4. Identify the part number and quantity. Do not order by page or reference numbers.
5. Provide your name, company name, customer ID number, billing and shipping address, phone number and purchase order number.
6. Provide detail shipping instructions.

- (D) ▽ - identifies an assembly  
 ▲ - identifies parts included in assembly

**Please fill out at time of installation for future reference.**

Model No. - \_\_\_\_\_

Serial No. - \_\_\_\_\_

Machine Options - \_\_\_\_\_

Sales Rep. - \_\_\_\_\_

Sales Rep. phone no. - \_\_\_\_\_

Customer ID Number - \_\_\_\_\_

Installation Date - \_\_\_\_\_

**Tennant Company**

PO Box 1452  
 Minneapolis, MN 55440 USA  
 Phone: (800) 553- 8033 or (763) 513- 2850

www.nobles.com

Specifications and parts are subject to change without notice.

Copyright © 2008 - 2013 TENNANT Company,  
 Printed in U.S.A.

# TABLE OF CONTENTS

<p>GENERAL RECOMMENDED MAINTENANCE ITEMS ..... 6</p> <p>43 cm (17 in) MODEL RECOMMENDED MAINTENANCE ITEMS ..... 7</p> <p>50 cm (20 in) MODEL RECOMMENDED MAINTENANCE ITEMS ..... 7</p> <p>60 cm (24 in) MODEL RECOMMENDED MAINTENANCE ITEMS ..... 7</p> <p><b>STANDARD PARTS</b></p> <p>REPLACEMENT BRUSH AND PAD DRIVER GROUP, 43 cm (17 in) MODEL ..... 8</p> <p>REPLACEMENT BRUSH AND PAD DRIVER GROUP, 50 cm (20 in) MODEL ..... 10</p> <p>REPLACEMENT BRUSH AND PAD DRIVER GROUP, 60 cm (24 in) MODEL ..... 12</p> <p>RECOVERY TANK GROUP ..... 14</p> <p>VACUUM MOTOR GROUP ..... 16</p> <p>SOLUTION TANK GROUP ..... 18</p> <p>LOWER CONTROL CONSOLE GROUP ..... 20</p> <p>UPPER CONTROL CONSOLE GROUP, BRUSH ASSIST MODEL ..... 22</p> <p>COMPONENT PANEL GROUP, BRUSH ASSIST MODEL ..... 24</p> <p>UPPER CONTROL CONSOLE GROUP, DRIVE MODEL ..... 26</p> <p>COMPONENT PANEL GROUP, DRIVE MODEL ..... 28</p> <p>WHEEL GROUP, BRUSH ASSIST MODEL ..... 30</p> <p>WHEEL GROUP, BRUSH ASSIST MODEL ..... 31</p> <p>WHEEL GROUP, DRIVE MODEL ..... 33</p> <p>SCRUB HEAD GROUP, 43 cm (17 in) MODEL (S/N 10635451- ) ..... 34</p> <p>SCRUB HEAD GROUP, 43 cm (17 in) MODEL (S/N 10000000- 10635450) ..... 36</p> <p>SCRUB HEAD GROUP, 50 cm (20 in) MODEL (S/N 10636750- ) ..... 38</p> <p>SCRUB HEAD GROUP, 50 cm (20 in) MODEL (S/N 10000000- 10636749) ..... 40</p>	<p>SCRUB HEAD GROUP, DUAL DISK, 60 cm (24 in) MODEL ..... 42</p> <p>SCRUB HEAD GROUP, DUAL DISK, 60 cm (24 in) MODEL - CONT'D ..... 44</p> <p>SCRUB HEAD LIFT GROUP, 43 cm (17 in) MODEL ..... 46</p> <p>SCRUB HEAD LIFT GROUP, 50 cm (20 in) MODEL ..... 48</p> <p>SCRUB HEAD LIFT GROUP, DUAL DISK 60 cm (24 in) MODEL ..... 50</p> <p>SQUEEGEE GROUP, 500 mm ..... 52</p> <p>SOLUTION GROUP, STANDARD MODEL ..... 54</p> <p>SOLUTION GROUP, ec-H2O MODEL ..... 56</p> <p>SOLUTION GROUP, ec-H2O MODEL - CONT'D ..... 58</p> <p>ec-H2O MODULE ASSEMBLY BREAKDOWN, 9007970 (S/N 10419449- ) ..... 60</p> <p>ec-H2O MODULE ASSEMBLY BREAKDOWN, 9006161 (S/N 10000000- 10419448) ..... 62</p> <p>SOLUTION GROUP, FaST MODEL ..... 64</p> <p>SOLUTION GROUP, FaST MODEL - CONT'D .. 66</p> <p>9008865 FAST INJECTOR ASSEMBLY BREAKDOWN, SINGLE DISK 43 cm &amp; 50 cm MODELS (S/N 10533369- ) ..... 68</p> <p>9003906 FAST INJECTOR ASSEMBLY BREAKDOWN, SINGLE DISK 43 cm &amp; 50 cm MODELS (S/N 10000000- 10533368) ..... 69</p> <p>9008847 FAST INJECTOR ASSEMBLY BREAKDOWN, DUAL DISK 60 cm MODEL (S/N 10538206- ) ..... 70</p> <p>9003907 FAST INJECTOR ASSEMBLY BREAKDOWN - DUAL DISK 60 cm MODEL (S/N 10348538- 10538205) ..... 71</p>
---	---

# TABLE OF CONTENTS

---

## STANDARD PARTS - Cont'd

BATTERY AND CABLE GROUP, 12V/105 AH, 43 cm (17 in) BRUSH ASSIST MODEL .....	72
BATTERY AND CABLE GROUP, 12V/130 Ah, 50 cm (20 in) BRUSH ASSIST MODEL .....	73
BATTERY AND CABLE GROUP, 12V/155 AH, 50 cm (20 in) / 60 cm (24 in) DRIVE MODEL .....	74
ELECTRICAL DIAGRAM, BRUSH ASSIST STANDARD & FaST MODEL .....	75
ELECTRICAL DIAGRAM, DRIVE STANDARD & FaST MODEL .....	76
ELECTRICAL DIAGRAM, BRUSH ASSIST ec-H2O MODEL .....	77
ELECTRICAL DIAGRAM, DRIVE ec-H2O MODEL .....	78
WIRE HARNESS GROUP, FAST OPTION .....	79
WIRE HARNESS GROUP, ec- H2O OPTION (S/N 10460662- ) .....	80
WIRE HARNESS GROUP, ec- H2O OPTION (S/N 10000000- 10460661) .....	82
WIRE HARNESS GROUP, CONSOLE, BRUSH ASSIST MODEL .....	84
WIRE HARNESS GROUP, CONSOLE, DRIVE MODEL .....	85
WIRE HARNESS GROUP, MAIN, BRUSH ASSIST MODEL .....	86
WIRE HARNESS GROUP, MAIN, DRIVE MODEL .....	89
WIRE HARNESS GROUP, FRAME, DRIVE MODEL .....	92

## OPTIONS

DOCUMENTATION GROUP .....	93
ON-BOARD BATTERY CHARGER GROUP, STANDARD & FaST MODEL (S/N 10470899- ) .....	94
ON-BOARD BATTERY CHARGER GROUP, STANDARD & FaST MODEL (S/N 10000000- 10470898) .....	96
ON-BOARD BATTERY CHARGER GROUP, ec-H2O MODEL (S/N 10470899- ) .....	98
ON-BOARD BATTERY CHARGER GROUP, ec-H2O MODEL (S/N 10000000- 10470898) .....	100
OFF-BOARD BATTERY CHARGER GROUP ...	102
EMERGENCY STOP BUTTON GROUP .....	103
PARKING BRAKE GROUP .....	104



# RECOMMENDED MAINTENANCE/SERVICE ITEMS

## GENERAL RECOMMENDED MAINTENANCE ITEMS

	Part No.	Serial Number	Description	Qty.
▽	9001178	(10000000- 20000000 )	Squeegee Assy Kit, 500mm, Ci	1
▲	1010560	(10000000- 20000000 )	Wheel, Bmpr, 80d X 25w, Non- Marking	2
▲	1006343	(10000000- 20000000 )	Caster, Swivel, 50mmd, M10 X 30 Stem, Pl	2
▲	1011232	(10000000- 20000000 )	Blade, Sqge, Front, 500mml Linatex (Linatex Red Standard)	1
	1014091	(10000000- 20000000 )	Blade, Sqge, Front, 500mml, Gum (Gum Rubber Tan Optional)	1
	1014092	(10000000- 20000000 )	Blade, Sqge, Front, 500mml, Oil- Rstn (Polyurethane Natural Optional)	1
▲	1011456	(10000000- 20000000 )	Blade, Sqge, Rear, 32.7l, Linatex[500mm] (Linatex Red Standard)	1
	1014093	(10000000- 20000000 )	Blade, Sqge, Rear, 32.7l, Gum [500mm] (Gum Rubber Tan Optional)	1
	1014094	(10000000- 20000000 )	Blade, Sqge, Rear, 32.7l, Oil- Rstn[500mm] (Polyurethane Natural Optional)	1
▲	1013933	(10000000- 20000000 )	Strap Assy, Sqge, 500mm	1
	1014079	(10000000- 20000000 )	Clip, Hose, Gripper, 1.50id, Dbl, Blk Pp	1
	1014026	(10000000- 20000000 )	Hose, Vacuum, 1.5d X 57l, 2- Short Cuffs	1
▽	1043538	(10000000- 20000000 )	Hose Assy, Drain, 1.50id X 29.5l, Blk	1
▲▽	1008639	(10000000- 20000000 )	Cap, Drain Assy	1
▲▲	1019563	(10000000- 20000000 )	Strap, Cap, Drain	1
	630367	(10000000- 20000000 )	Seal, .50, .50w 33.9l, Adh [D Shape]	1
	630052	(10000000- 20000000 )	Float, Shut- Off, (2)Ball, 1.75d	1
	1013628	(10000000- 20000000 )	Gasket, Mtg, Float, .125th, Neo, Adh	1
	1024602	(10000000- 20000000 )	Gasket, Adapter, Hose .13, Neo, Adh	1
	100038	(10000000- 20000000 )	Gasket, Vacuum Mtr 5.7 Epdm W/Psa	1
	1012965	(10000000- 20000000 )	Cap, Port, Soltn Fill	1
	1029829	(10000000- 20000000 )	Hose, Drain, Soltn Tank [Ss3]	1
	1060173	(10515471- 20000000 )	Cover Assy, Tank, Soltn Fill	1
	578301	(10000000- 10515470 )	Knob 10- 32f Fill- Cover	1
	621443	(10000000- 10515470 )	Chain, Ball, #10, 157mml, Ss	1
	605062	(10000000- 10515470 )	Gasket, Cover, Soltn Fill (Replaced by 1060173)	1
	606146	(10000000- 10515470 )	Screen, Fltr, Soltn Fill, Nat (Replaced by 1060173)	1
	1026345	(10000000- 20000000 )	Caster, Swivel, 80mm D, M12 X 25 Stem	2
	1014283	(10000000- 20000000 )	Pad, Adh, Non- Slip, 28mm X 36mm, Blk	1
	1039988	(10000000- 20000000 )	Orifice, Plug, .027 (For Injectors 9008865 & 9003906)	1
	1039989	(10348538- 20000000 )	Plug, Orifice, 0.030, Ss [Fast li+] (For Injectors 9008847 & 9003907)	1
	1017019	(10000000- 20000000 )	Detergent Pkg, 2 Liter, Sgl [Mp]	1
	1017025	(10000000- 20000000 )	Detergent Pkg, 2 Liter, Sgl [Mpd]	1
	1047470	(10000000- 20000000 )	Fuse, Blade, 010a, 32vdc, Red (ec- H2O Model)	1
	1016039	(10000000- 20000000 )	Fuse, Blade, 007.5a, 32vdc (Fast Model)	1
	1016040	(10000000- 20000000 )	Fuse, Blade, 025a, 32vdc (Main Brush Assist Model)	1
	1016029	(10000000- 20000000 )	Fuse, Blade, 005a, 32vdc (Main Brush Assist Model)	1
	1016040	(10000000- 20000000 )	Fuse, Blade, 025a, 32vdc (Main Drive Model)	1
	762516	(10000000- 20000000 )	Fuse, Blade, 030a, 32vdc (Main Drive Model)	1

## RECOMMENDED MAINTENANCE/SERVICE ITEMS

### 43 cm (17 in) MODEL RECOMMENDED MAINTENANCE ITEMS

Ref.	Part No.	Serial Number	Description	Qty.
	1016764	(10000000- 20000000 )	Brush Assy, Disk, 43cm/17inch, (White- Soft Nylon)	1
	1016765	(10000000- 20000000 )	Brush Assy, Disk, 43cm/17inch, (Black- Polypropylene)	1
	1016763	(10000000- 20000000 )	Brush Assy, Disk, 43cm/17inch, (Gray- Abrasive)	1
	1050273	(10000000- 20000000 )	Pad, Polish, 17.0d, White [1pick=1pad] (Polishing)	1
	1050271	(10000000- 20000000 )	Pad, Buff, 17.0d, Red [1pick=1pad] (Light Scrubbing & Buffing)	1
	1050270	(10000000- 20000000 )	Pad, Scb, 17.0d, Blue [1pick=1pad] (Medium Scrubbing)	1
	1050267	(10000000- 20000000 )	Pad, Stripping, 17.0d, Brown[1pick=1pad] (Deep Scrubbing & Stripping)	1
	1050262	(10000000- 20000000 )	Pad, Stripping, 17.0d[Hi Pro,1pick=1pad] (Black) (High Productivity Stripping)	1
	1051028	(10000000- 20000000 )	Pad, Surf Prep, 17.0d [Mar, 1pick=1pad] (Maroon) (Surface Preparation)	1

### 50 cm (20 in) MODEL RECOMMENDED MAINTENANCE ITEMS

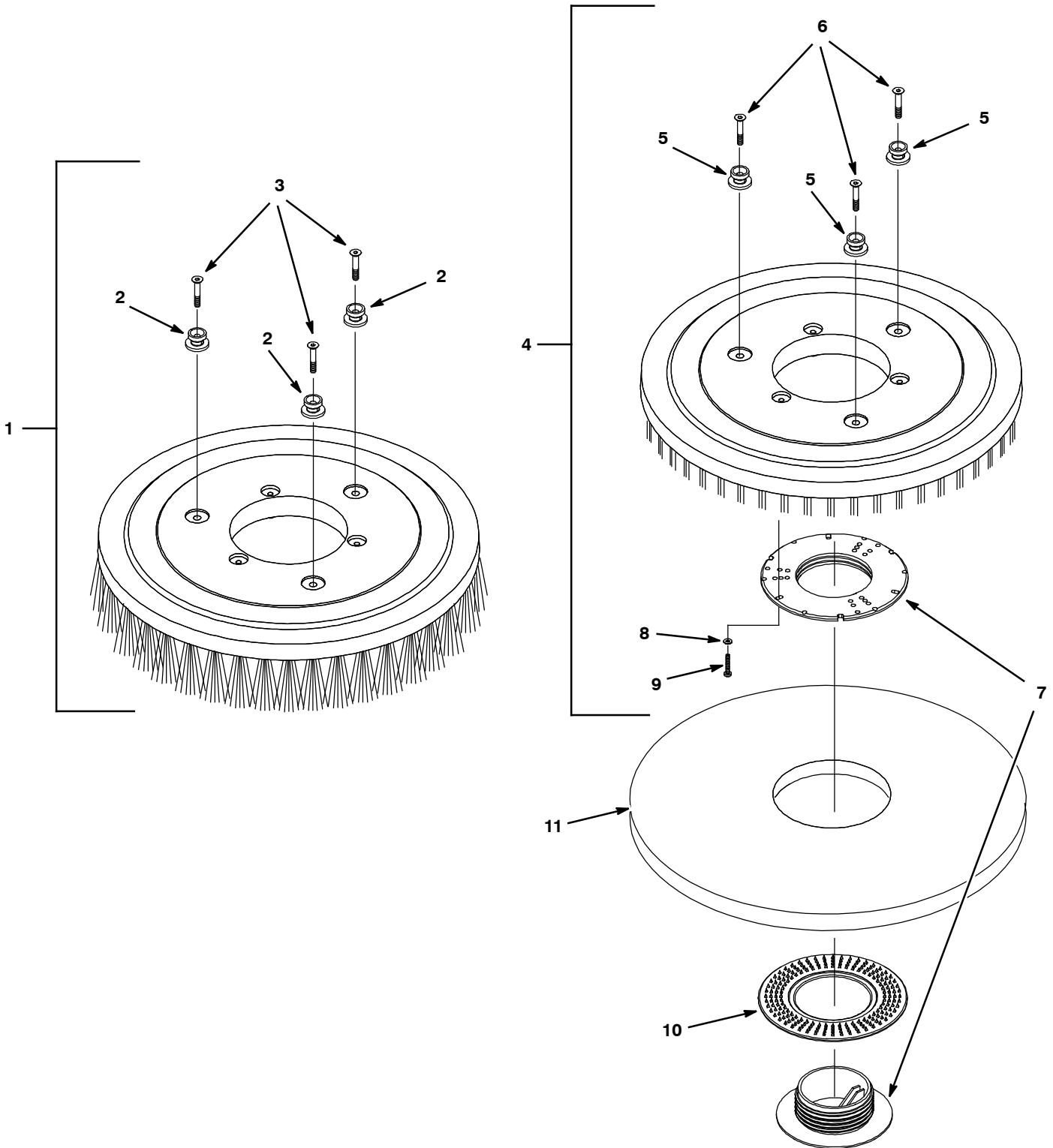
Ref.	Part No.	Serial Number	Description	Qty.
	1016810	(10000000- 20000000 )	Brush Assy, Disk, 50cm/20inch, (White- Soft Nylon)	1
	1016811	(10000000- 20000000 )	Brush Assy, Disk, 50cm/20inch, (Black- Polypropylene)	1
	1016805	(10000000- 20000000 )	Brush Assy, Disk, 50cm/20inch, (Gray- Abrasive)	1
	17260	(10000000- 20000000 )	Pad, Polish, 20.0d, White [1pick=1pad] (Polishing)	1
	17261	(10000000- 20000000 )	Pad, Buff, 20.0d, Red [1pick=1pad] (Light Scrubbing & Buffing)	1
	17262	(10000000- 20000000 )	Pad, Scb, 20.0d, Blu [1pick=1pad] (Blue) (Medium Scrubbing)	1
	17263	(10000000- 20000000 )	Pad, Stripping, 20.0d, Brown[1pick=1pad] (Deep Scrubbing & Stripping)	1
	370094	(10000000- 20000000 )	Pad, Stripping, 20.0d[Hi Prod,1pick=1pad] (Black) (High Productivity Stripper)	1
	1051030	(10000000- 20000000 )	Pad, Surf Prep, 20.0d [Mar, 1pick=1pad] (Maroon) (Surface Preparation)	1

### 60 cm (24 in) MODEL RECOMMENDED MAINTENANCE ITEMS

Ref.	Part No.	Serial Number	Description	Qty.
	1056306	(10000000- 20000000 )	Brush Assy, Disk, Scb, 12.0d, 3- Lug, Nyl (White- Soft Nylon)	2
	1056313	(10000000- 20000000 )	Brush Assy, Disk, Scb, 12.0d, 3- Lug, Pyp (Black- Polypropylene)	2
	1063297	(10000000- 20000000 )	Brush Assy, Disk, Scb, 12.0d, 3- Lug, Abr (Gray- Abrasive)	2
	385940	(10000000- 20000000 )	Pad, Polish, 12.0d, White [1pad=1pc] (Polishing)	2
	385941	(10000000- 20000000 )	Pad, Buff, 12.0d, Red [1pad=1pc] (Light Scrubbing & Buffing)	2
	385942	(10000000- 20000000 )	Pad, Scb, 12.0d, Blu [1pick = 1 Pad] (Blue) (Medium Scrubbing)	2
	385943	(10000000- 20000000 )	Pad, Stripping, 12.0d, Brown [1pad=1pc] (Deep Scrubbing & Stripping)	2
	1063334	(10000000- 20000000 )	Pad, Stripping, 12.0d [Hi- Prod] Blk (Black) (High Productivity Stripper)	2
	1051020	(10000000- 20000000 )	Pad, Surf Prep, 12.0d [Mar, 1pick=1pad] (Maroon) (Surface Preparation)	2

# STANDARD PARTS

## REPLACEMENT BRUSH AND PAD DRIVER GROUP, 43 cm (17 in) MODEL



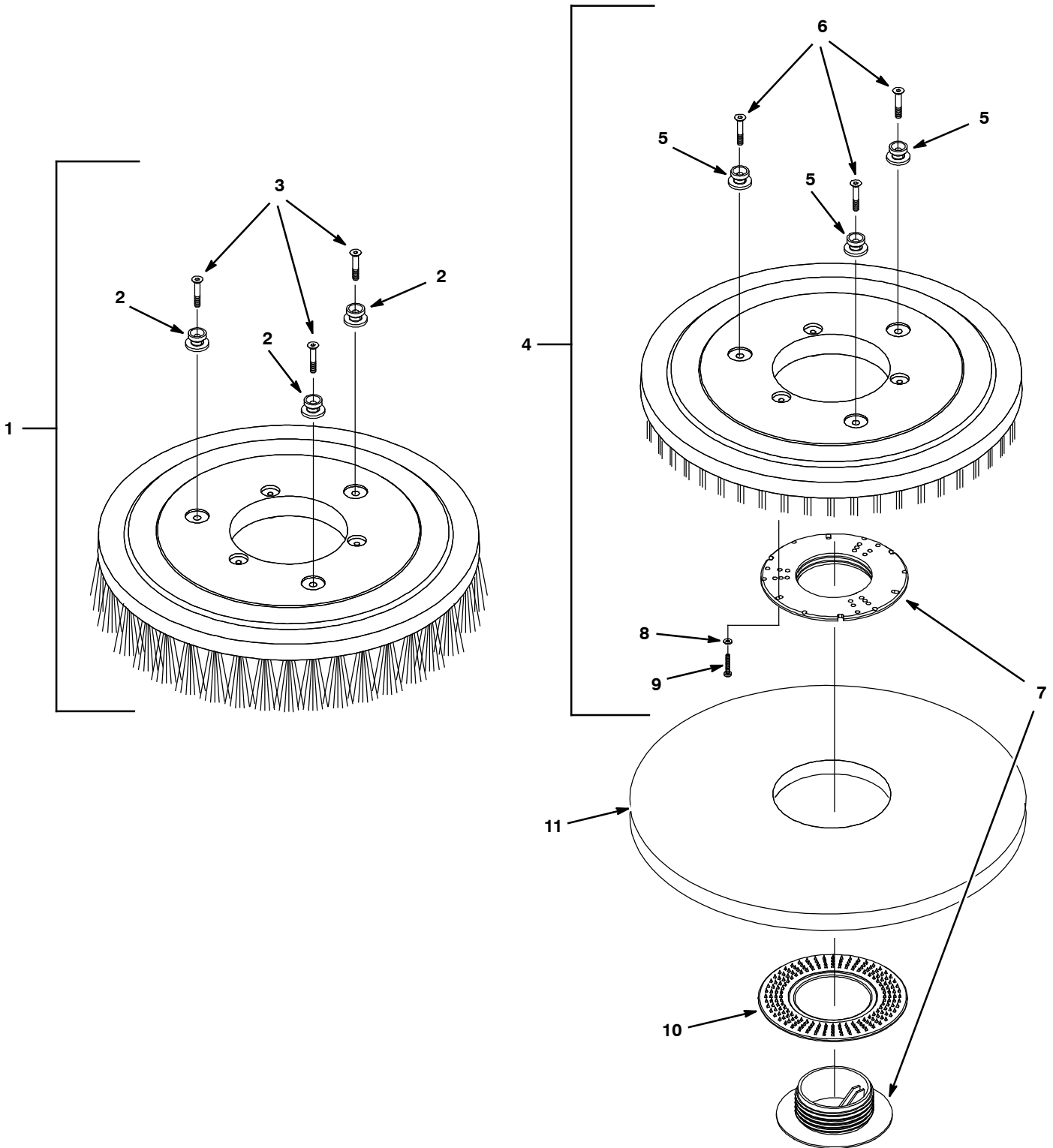


**REPLACEMENT BRUSH AND PAD DRIVER GROUP, 43 cm (17 in) MODEL**

<b>Ref.</b>	<b>Part No.</b>	<b>Serial Number</b>	<b>Description</b>	<b>Qty.</b>
1	1016764	(10000000- 20000000 )	Brush Assy, Disk, 43cm/17inch, (White- Soft Nylon Scrub)	1
1	1016765	(10000000- 20000000 )	Brush Assy, Disk, 43cm/17inch, (Black- Polypropylene Scrub)	1
1	1016763	(10000000- 20000000 )	Brush Assy, Disk, 43cm/17inch, (Gray- Abrasive Scrub)	1
2	1013018	(10000000- 20000000 )	Stud, Drive, Brush Pad	3
3	07809	(10000000- 20000000 )	Screw, Flt, M6 X 1.0 X 35, 10.9	3
4	1016813	(10000000- 20000000 )	Driver Assy, Pad, 43cm/17inch	1
5	1013018	(10000000- 20000000 )	Stud, Drive, Brush Pad	3
6	07809	(10000000- 20000000 )	Screw, Flt, M6 X 1.0 X 35, 10.9	3
7	25707	(10000000- 20000000 )	Lock, Universal, Cntr, Rh, Yel	1
8	41579	(10000000- 20000000 )	Washer, Flat, #08, Ss	3
9	04403	(10000000- 20000000 )	Screw, Pan, M4 X 0.7 X 25, Ss, NI	3
10	32505	(10000000- 20000000 )	Washer, Flat, 3.60b 5.65d .06, Brush Pad	1
11	1050273	(10000000- 20000000 )	Pad, Polish, 17.0d, White [1pick=1pad] (Polishing)	1
11	1050271	(10000000- 20000000 )	Pad, Buff, 17.0d, Red [1pick=1pad] (Light Scrubbing & Buffing)	1
11	1050270	(10000000- 20000000 )	Pad, Scb, 17.0d, Blue [1pick=1pad] (Medium Scrubbing)	1
11	1050267	(10000000- 20000000 )	Pad, Stripping, 17.0d, Brown[1pick=1pad] (Deep Scrubbing & Stripping)	1
11	1050262	(10000000- 20000000 )	Pad, Stripping, 17.0d[Hi Pro,1pick=1pad] (Black) (High Productivity Stripping)	1
11	1051028	(10000000- 20000000 )	Pad, Surf Prep, 17.0d [Mar, 1pick=1pad] (Maroon) (Surface Preparation)	1

# STANDARD PARTS

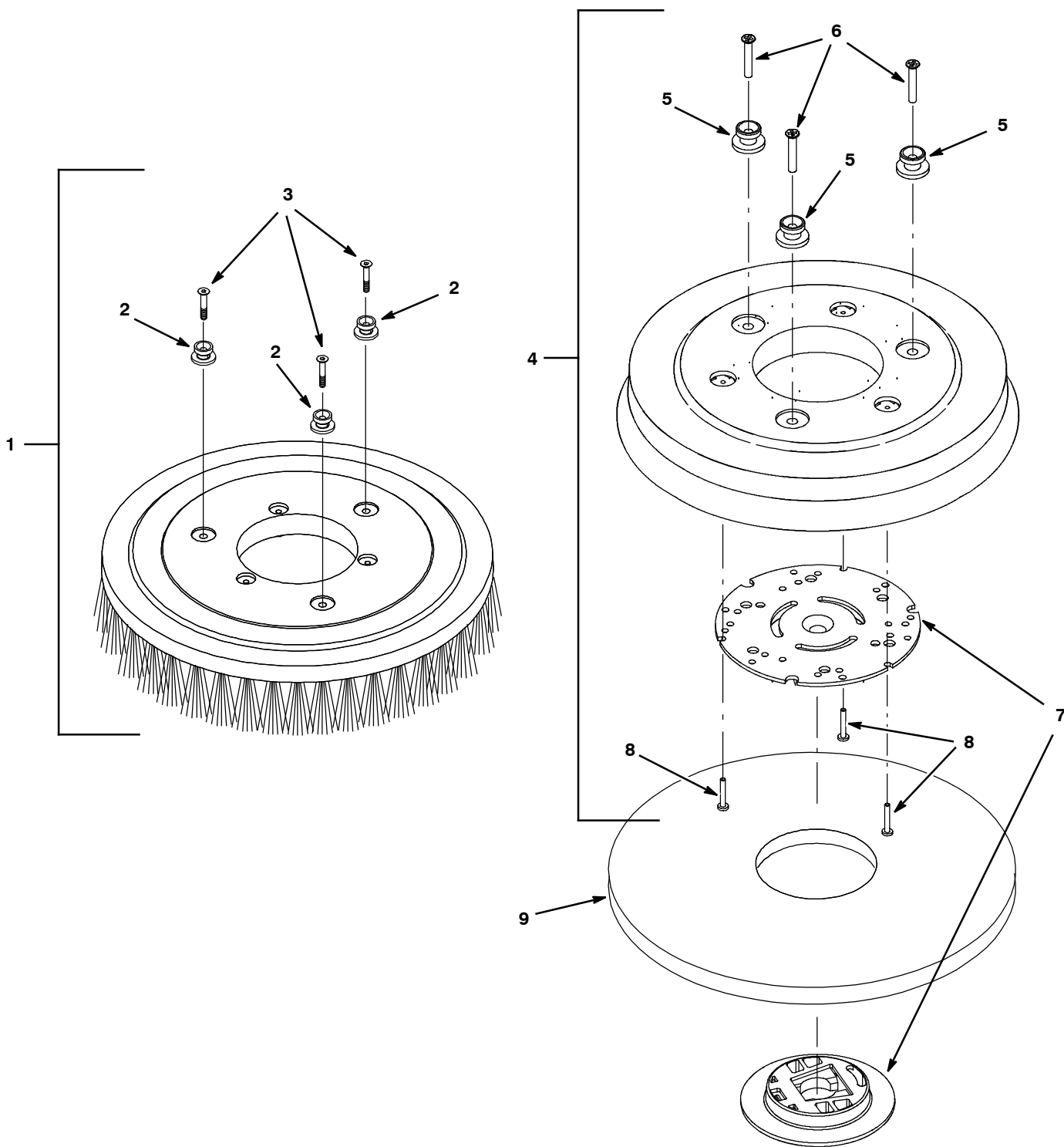
## REPLACEMENT BRUSH AND PAD DRIVER GROUP, 50 cm (20 in) MODEL



## REPLACEMENT BRUSH AND PAD DRIVER GROUP, 50 cm (20 in) MODEL

Ref.	Part No.	Serial Number	Description	Qty.
1	1016810	(10000000- 20000000 )	Brush Assy, Disk, 50cm/20inch, (White- Soft Nylon Scrub)	1
1	1016811	(10000000- 20000000 )	Brush Assy, Disk, 50cm/20inch, (Black- Polypropylene Scrub)	1
1	1016805	(10000000- 20000000 )	Brush Assy, Disk, 50cm/20inch, (Gray- Abrasive Scrub)	1
2	1013018	(10000000- 20000000 )	Stud, Drive, Brush Pad	3
3	07809	(10000000- 20000000 )	Screw, Flt, M6 X 1.0 X 35, 10.9	3
4	1016814	(10000000- 20000000 )	Driver Assy, Pad, 50cm/20inch	1
5	1013018	(10000000- 20000000 )	Stud, Drive, Brush Pad	3
6	07809	(10000000- 20000000 )	Screw, Flt, M6 X 1.0 X 35, 10.9	3
7	25707	(10000000- 20000000 )	Lock, Universal, Cntr, Rh, Yel	1
8	41579	(10000000- 20000000 )	Washer, Flat, #08, Ss	3
9	04403	(10000000- 20000000 )	Screw, Pan, M4 X 0.7 X 25, Ss, NI	3
10	32505	(10000000- 20000000 )	Washer, Flat, 3.60b 5.65d .06, Brush Pad	1
11	17260	(10000000- 20000000 )	Pad, Polish, 20.0d, White [1pick=1pad] (Polishing)	1
11	17261	(10000000- 20000000 )	Pad, Buff, 20.0d, Red [1pick=1pad] (Light Scrubbing & Buffing)	1
11	17262	(10000000- 20000000 )	Pad, Scb, 20.0d, Blu [1pick=1pad] (Blue) (Medium Scrubbing)	1
11	17263	(10000000- 20000000 )	Pad, Stripping, 20.0d, Brown[1pick=1pad] (Deep Scrubbing & Stripping)	1
11	370094	(10000000- 20000000 )	Pad, Stripping, 20.0d[Hi Prod,1pick=1pad (Black) (High Productivity Stripper)	1
11	1051030	(10000000- 20000000 )	Pad, Surf Prep, 20.0d [Mar, 1pick=1pad] (Maroon) (Surface Preparation)	1

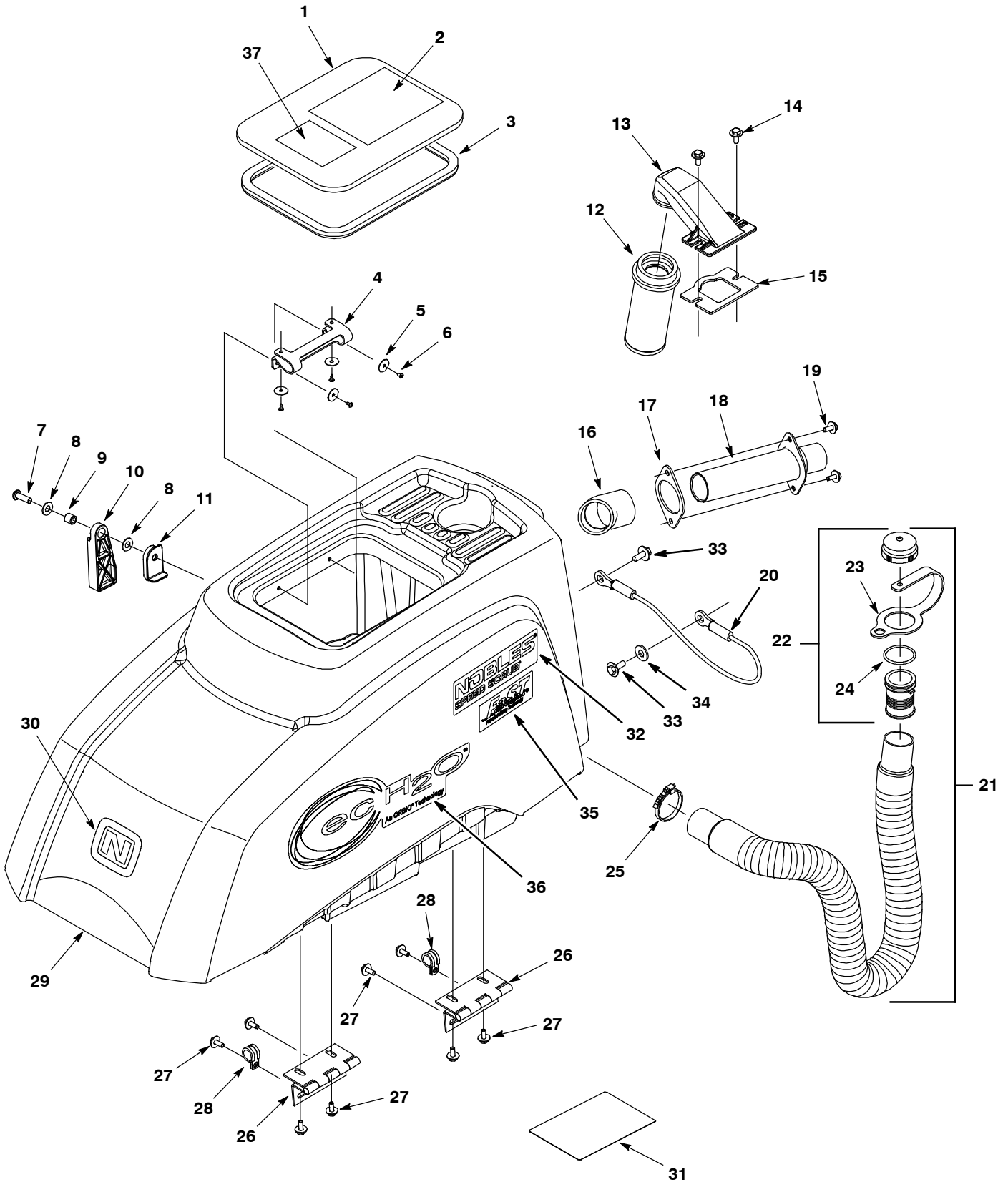
## REPLACEMENT BRUSH AND PAD DRIVER GROUP, 60 cm (24 in) MODEL



## REPLACEMENT BRUSH AND PAD DRIVER GROUP, 60 cm (24 in) MODEL

Ref.	Part No.	Serial Number	Description	Qty.
1	1056306	(10000000- 20000000 )	Brush Assy, Disk, Scb, 12.0d, 3- Lug, Nyl (White- Soft Nylon Scrub)	2
1	1056313	(10000000- 20000000 )	Brush Assy, Disk, Scb, 12.0d, 3- Lug, Pyp (Black- Polypropylene Scrub)	2
1	1063297	(10000000- 20000000 )	Brush Assy, Disk, Scb, 12.0d, 3- Lug, Abr (Gray- Abrasive Scrub)	2
2	1055558	(10000000- 20000000 )	Mount, Lug, Pad- Driver [T3]	3
3	1021316	(10000000- 20000000 )	Screw, Flt, Phl, M6 X 1.00 X 35, Ss	3
4	1054856	(10000000- 20000000 )	Driver Assy, Pad, 12", 3- Lug	2
5	1055558	(10000000- 20000000 )	Mount, Lug, Pad- Driver [T3]	3
6	1021316	(10000000- 20000000 )	Screw, Flt, Phl, M6 X 1.00 X 35, Ss	3
7	370095	(10000000- 20000000 )	Device, Centering, Clip On, TI [Gf Pp]	2
8	04403	(10000000- 20000000 )	Screw, Pan, M4 X 0.7 X 25, Ss, NI	3
9	385940	(10000000- 20000000 )	Pad, Polish, 12.0d, White [1pad=1pc] (Polishing)	2
9	385941	(10000000- 20000000 )	Pad, Buff, 12.0d, Red [1pad=1pc] (Light Scrubbing & Buffing)	2
9	385942	(10000000- 20000000 )	Pad, Scb, 12.0d, Blu [1pick = 1 Pad] (Blue) (Medium Scrubbing)	2
9	385943	(10000000- 20000000 )	Pad, Stripping, 12.0d, Brown [1pad=1pc] (Deep Scrubbing & Stripping)	2
9	1063334	(10000000- 20000000 )	Pad, Stripping, 12.0d [Hi- Prod] Blk (Black) (High Productivity Stripper)	2
9	1051020	(10000000- 20000000 )	Pad, Surf Prep, 12.0d [Mar, 1pick=1pad] (Maroon) (Surface Preparation)	2

RECOVERY TANK GROUP



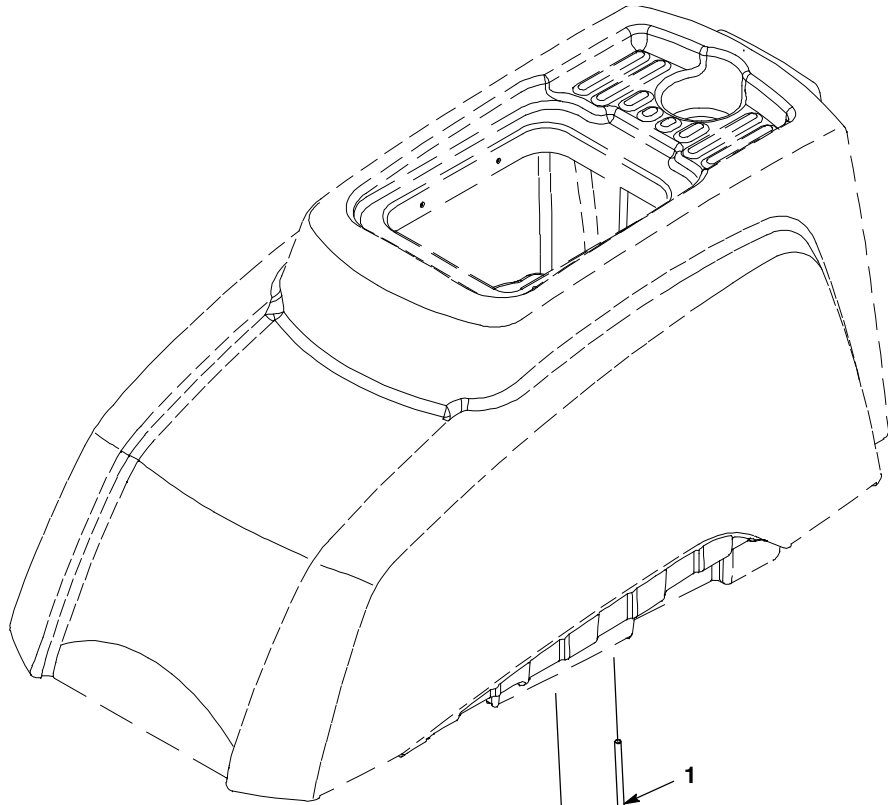
## RECOVERY TANK GROUP

Ref.	Part No.	Serial Number	Description	Qty.
▽	1	9003396	(10000000-20000000 ) Lid Assy, W/ Label [En/Es/Fr/Jp]	1
▲	2	1036679	(10000000-20000000 ) Label, Warning [Exp,Fre,Shk En/Fr/Es/Jp]	1
▲	3	630367	(10000000-20000000 ) Seal, .50, .50w 33.9l, Adh [D Shape]	1
	4	630056	(10000000-20000000 ) Hinge, Cover, Tank Lid	1
	5	1009168	(10000000-20000000 ) Washer, Flat, 0.17b 0.75d .04, Ss	4
	6	3701.6	(10000000-20000000 ) Screw, Pan, #06- 32 X 0.38, Phl Ss Shtmtl	4
	7	1039118	(10000000-20000000 ) Screw, Btn, M8 X 1.25 X 30, Blk	1
	8	140027	(10000000-20000000 ) Washer, Flat, 0.35b 0.75d .04, Ss	2
	9	222460	(10000000-20000000 ) Sleeve, P/M, 0.31b 0.50d 0.5l	1
	10	1022399	(10000000-20000000 ) Support, Tank, Prop, Blk, Nyl	1
	11	1022904	(10000000-20000000 ) Bracket, Sppt, Stop, Blk, Nyl	1
	12	630052	(10000000-20000000 ) Float, Shut- Off, (2)Ball, 1.75d	1
	13	1011777	(10000000-20000000 ) Mount, Float, Mold	1
	14	1034731	(10000000-20000000 ) Screw, Hex, M6 X 1.00 X 16, Sems, Ss	2
	15	1013628	(10000000-20000000 ) Gasket, Mtg, Float, .125th, Neo, Adh	1
	16	1028801	(10000000-20000000 ) Fitting, Plstc, E45, 1.25	1
	17	1024602	(10000000-20000000 ) Gasket, Adapter, Hose .13, Neo, Adh	1
	18	1021214	(10000000-20000000 ) Tube, Hose, Adapter, 1.5d	1
	19	1034731	(10000000-20000000 ) Screw, Hex, M6 X 1.00 X 16, Sems, Ss	2
	20	140960	(10000000-20000000 ) Cable, Glv .13d 014.5l .34eye /.34eye	1
▽	21	1043538	(10000000-20000000 ) Hose Assy, Drain, 1.50id X 29.5l, Blk	1
▲▽	22	1008639	(10000000-20000000 ) Cap, Drain Assy	1
▲▲	23	1019563	(10000000-20000000 ) Strap, Cap, Drain	1
▲▲	24	1008637	(10000000-20000000 ) Seal, Org, 1.48id 1.76od	1
	25	11531	(10000000-20000000 ) Clamp, Hose, Wormdrive, 1.06- 2.00d, .56w	1
	26	1012540	(10000000-20000000 ) Hinge, 6mmpin 2.5mm Th 73.5mmw 100mml	2
	27	1034731	(10000000-20000000 ) Screw, Hex, M6 X 1.00 X 16, Sems, Ss	8
	28	1016354	(10000000-20000000 ) Clamp, Cable, Ss, 0.50d X 0.50w [Insul]	2
▽	29	9007890	(10000000-20000000 ) Tank, Recovery, Afmkt [Ss3]	1
▲	30	1034637	(10000000-20000000 ) Label, Front, 3.50 [Nobles Icon]	1
▲	31	1014154	(10000000-20000000 ) Label, Instr, Battery	1
▲	32	1064991	(10000000-20000000 ) Label, Model [Speed Scrub]	2
	33	1034731	(10000000-20000000 ) Screw, Hex, M6 X 1.00 X 16, Sems, Ss	2
	34	01684	(10000000-20000000 ) Washer, Flat, 0.25 Ss	1
	35	1064994	(10000000-20000000 ) Label, Logo, 06.1l Dk Gr [Fast]	2
	36	1064823	(10000000-20000000 ) Label, Logo, 12.3l 4color [Ech2o Nobles]	2
	37	1068925	(10000000-20000000 ) Label, Do Not Add Detgt[Ec- H20]	1

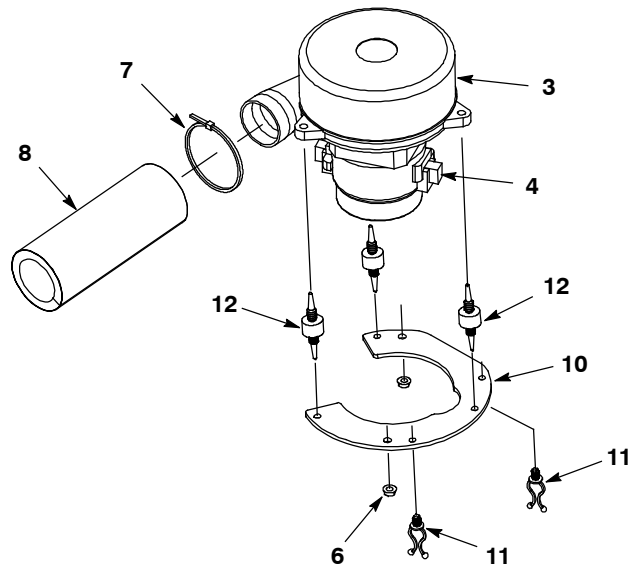
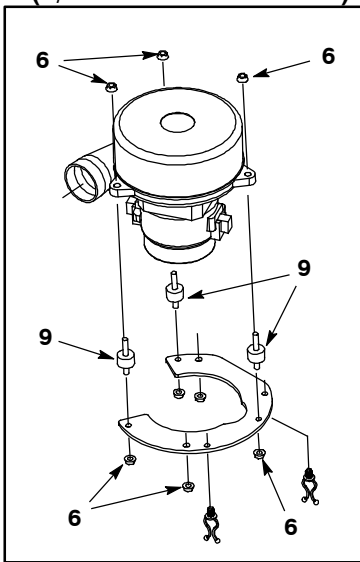
▽ ASSEMBLY

▲ INCLUDED IN ASSEMBLY

VACUUM MOTOR GROUP



(S/N 10000000-10469097)





## VACUUM MOTOR GROUP

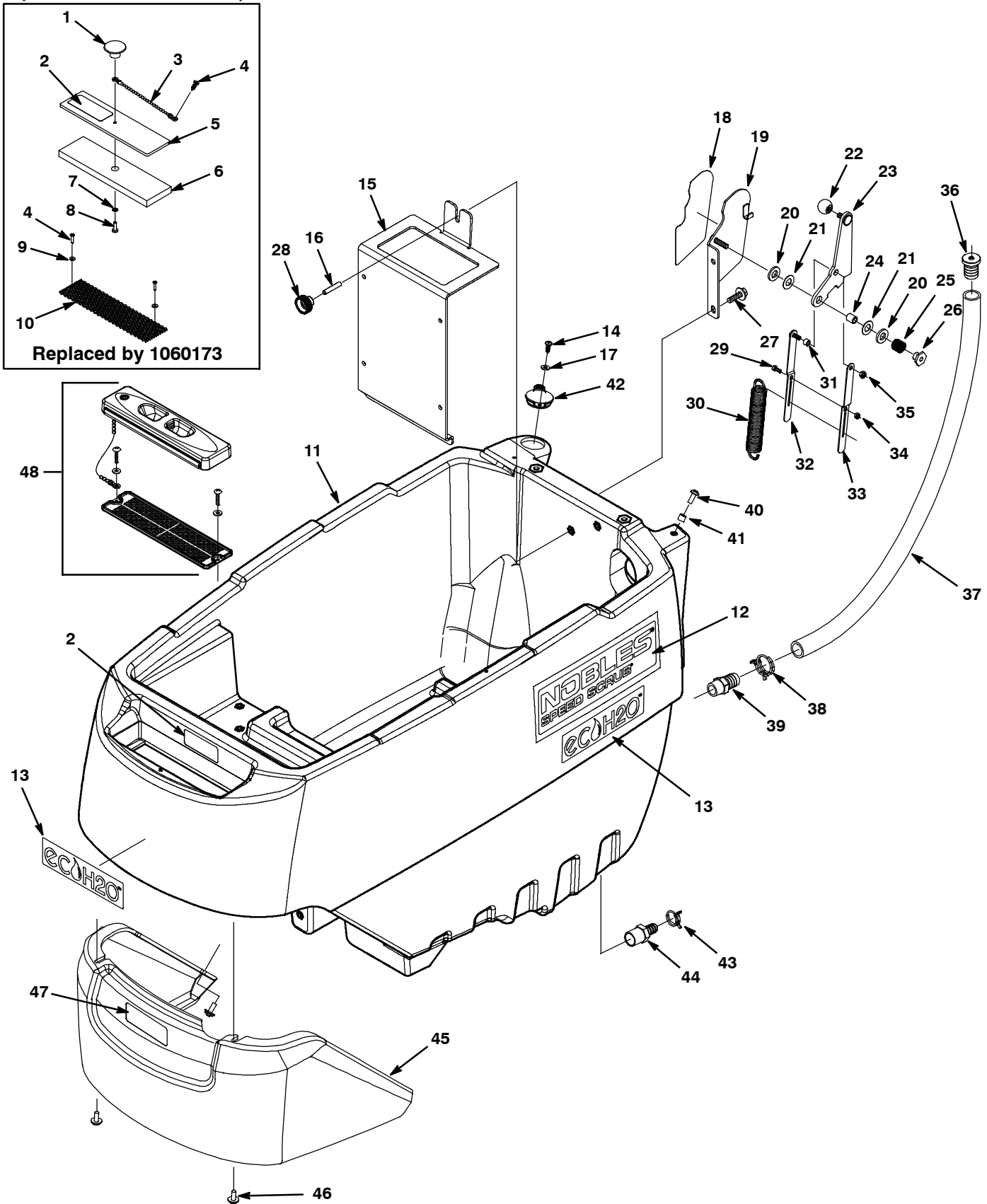
Ref.	Part No.	Serial Number	Description	Qty.	
1	1015412	(10000000- 20000000 )	Rod, Thrd, Full, M6x1.0, 140l	2	
2	1024575	(10000000- 20000000 )	Tube, 0.43d 0.28b 03.3l, Pl	2	
▽	3	1023271	(10000000- 20000000 )	Fan, Vacuum, 5.7d 2stage 024vdc [Bpt,Pk]	1
▲	4	372883	(10000000- 20000000 )	Vr, Brush Kit, Motor, Ele	1
5	100038	(10000000- 20000000 )	Gasket, Vacuum Mtr 5.7 Epdm W/Psa	1	
6	1040381	(10469098- 20000000 )	Nut, Hex, Flng, M6 X 1.0, Ss [Serrated]	2	
6	1040381	(10000000- 10469097 )	Nut, Hex, Flng, M6 X 1.0, Ss [Serrated]	8	
7	130773	(10000000- 20000000 )	Tie, Cable, Nyl, 11.0l, .14w, 3.0 Max. D	1	
8	1068577	(10000000- 20000000 )	Muffler, Exhaust, Vacfan, 150mml [T2/T3]	1	
9	1011093	(10000000- 10469097 )	Isolator, Vib, .75d, M6 Stud Both Ends	3	
10	1011962	(10000000- 20000000 )	Bracket, Mtg, Vacuum	1	
11	30406	(10000000- 20000000 )	Clip, Keeper	2	
12	1062016	(10469098- 20000000 )	Isolator, Vib, .75d	3	

▽ ASSEMBLY

▲ INCLUDED IN ASSEMBLY

SOLUTION TANK GROUP

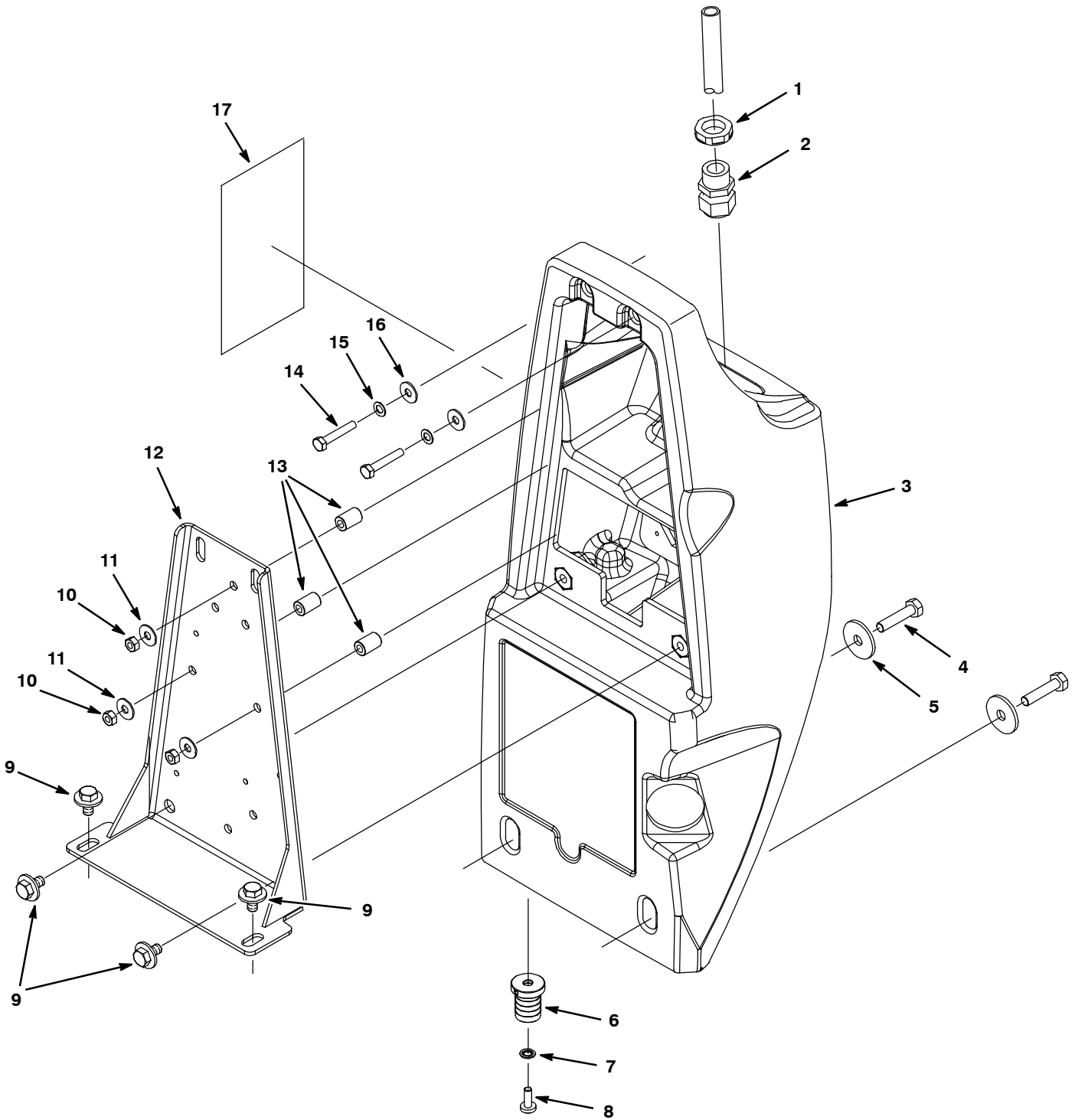
(S/N 1000000- 10515470)



## SOLUTION TANK GROUP

Ref.	Part No.	Serial Number	Description	Qty.
1	578301	(10000000- 10515470 )	Knob 10- 32f Fill- Cover	1
2	391451	(10000000- 20000000 )	Label [Attention Fast Users] (Fast Model)	1
2	1050003	(10000000- 20000000 )	Label, User, Attention, Ec- H2o (ec-H2O Model)	1
3	621443	(10000000- 10515470 )	Chain, Ball, #10, 157mm, Ss	1
4	140826	(10515471- 20000000 )	Screw, Pan, #06- 32 X 0.75, Phl Ss Shtmtl	2
4	140826	(10000000- 10515470 )	Screw, Pan, #06- 32 X 0.75, Phl Ss Shtmtl	3
5	605061	(10000000- 10515470 )	Cover, Fill, Soltn (Replaced by 1060173)	1
6	605062	(10000000- 10515470 )	Gasket, Cover, Soltn Fill (Replaced by 1060173)	1
7	07514	(10000000- 10515470 )	Washer, Lock, Int, #10, Ss	1
8	140841	(10000000- 10515470 )	Screw, Pan, #10- 32 X 0.62, Phl, Ss	1
9	41578	(10000000- 20000000 )	Washer, Flat, #06, Ss	2
10	606146	(10000000- 10515470 )	Screen, Fltr, Soltn Fill, Nat (Replaced by 1060173)	1
11	9007891	(10000000- 20000000 )	Tank, Solution, Afmkt [Ss3]	1
12	1024781	(10000000- 20000000 )	Label, Side [Spdscrub]	2
13	1050019	(10000000- 20000000 )	Label, Side, Ec- H2o [Ss3/Ss5/Ss rider] (ec-H2O Model) (No Longer Available W/O Replacement)	3
14	1018155	(10000000- 20000000 )	Screw, Pan, M5 X 0.8 X16, Ss, Tcut	1
15	1040598	(10000000- 20000000 )	Bracket, Mtg, Chrgr [Ss3]	1
16	1018559	(10000000- 20000000 )	Screw, Set, M6 X 1.00 X 30, Ss [Fltpt]	1
17	01683	(10000000- 20000000 )	Washer, Flat, #10, Ss	1
18	1018389	(10000000- 20000000 )	Label, Lever, Dual Down Press	1
19	1018020	(10000000- 20000000 )	Bracket Wldt, Mtg, Dual Dp Lever	1
20	140127	(10000000- 20000000 )	Bearing, Thrust, 0.51b X 1.0 X .12, Brz	2
21	89710	(10000000- 20000000 )	Washer, Flat, 0.51b 1.00d .03, Nyl	2
22	1017156	(10000000- 20000000 )	Knob, Ball, M8 Insert, 40mmd, Plstc	1
23	1017493	(10000000- 20000000 )	Lever, Lift, Dual Down Press	1
24	1014336	(10000000- 20000000 )	Sleeve, P/M, 08.4b 12.6d 14.5l, PI	1
25	1018756	(10000000- 20000000 )	Spring, Cmpr, 0.70d .080wir 00.7l, PI[Mw]	1
26	1018181	(10000000- 20000000 )	Nut, T, M8 X 1.25 X 0.50od X 0.4l	1
27	1020341	(10000000- 20000000 )	Screw, Hex, M8 X 1.25 X 20, Ss, Sems	2
28	578439	(10000000- 20000000 )	Nut, Thumb, M6 X 1.0, 24mm Od	1
29	09738	(10000000- 20000000 )	Screw, Hex, M5 X 0.8 X 12, Ss	1
30	1031783	(10000000- 20000000 )	Spring, Extn, 1.00od 0.12wir 06.3l	1
31	1017884	(10000000- 20000000 )	Bushing, Sleeve, 6mmb 10mmd 7mml	1
32	1017882	(10000000- 20000000 )	Link Wldt, Spring, Lever	1
33	1017805	(10000000- 20000000 )	Link, Spring, Lever	1
34	09739	(10000000- 20000000 )	Nut, Hex, Lock, M5 X 0.8, NI, Ss	1
35	08708	(10000000- 20000000 )	Nut, Hex, Lock, M6 X 1.0, NI	1
36	1035469	(10000000- 20000000 )	Fitting, Plastic, Bm12 [Sight Tube]	1
37	1029829	(10000000- 20000000 )	Hose, Drain, Soltn Tank [Ss3]	1
38	608915	(10000000- 20000000 )	Clamp, Hose, Wir, 1.03 - 1.09	1
39	78398	(10000000- 20000000 )	Fitting, Plstc, Str, Bm12/Pm08, Nyl	1
40	608322	(10000000- 20000000 )	Screw, Trs, M6 X 1.0 X 16, Phl, Ss	1
41	140154	(10000000- 20000000 )	Sleeve, P/M, 0.25b 0.38d 0.3l, PI	1
42	1012965	(10000000- 20000000 )	Cap, Port, Soltn Fill	1
43	607776	(10000000- 20000000 )	Clamp, Hose, Wir, .73 - .77, Silver	1
44	1023581	(10000000- 20000000 )	Fitting, Plstc, Str, Bm08/Pm08, Nyl	1
45	1028710	(10000000- 20000000 )	Cover, Head, Rm- Blk, Trimmed [Ss3]	1
46	1034731	(10000000- 20000000 )	Screw, Hex, M6 X 1.00 X 16, Ss, Sems	6
47	1034921	(10000000- 20000000 )	Label, Logo, White/Black, 4.00l [Fast] (Fast Model) (No Longer Available W/O Replacement)	1
48	1060173	(10515471- 20000000 )	Cover Assy, Tank, Soltn Fill	1

LOWER CONTROL CONSOLE GROUP



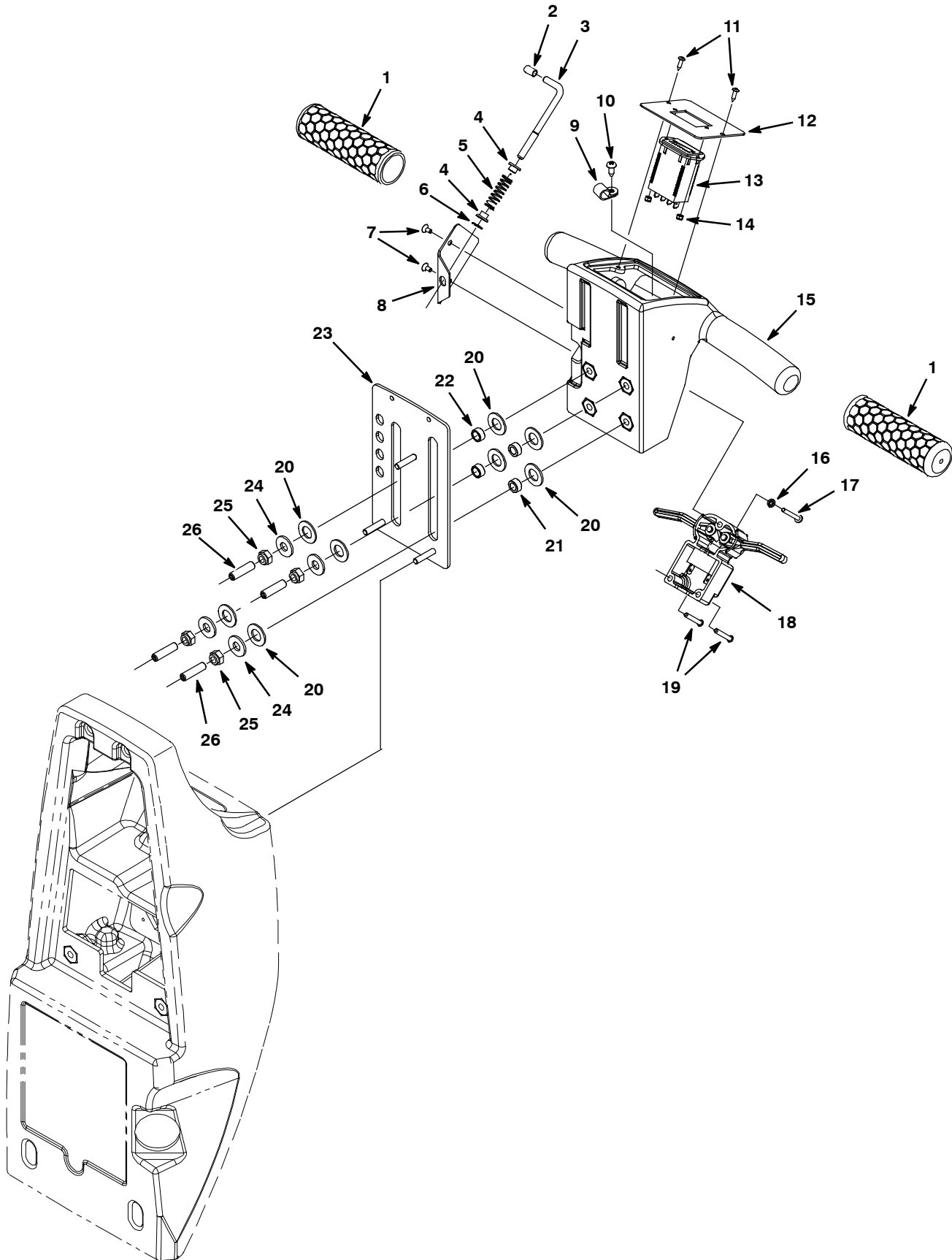
## LOWER CONTROL CONSOLE GROUP

Ref.	Part No.	Serial Number	Description	Qty.
1	140638	(10000000- 20000000 )	Nut, Hex, Pf08, Blk Nyl [Conduit]	1
2	130181	(10000000- 20000000 )	Grip, Cord, Strainrelief, .50npt	1
3	1031071	(10000000- 20000000 )	Console, Lower, Rm- Spg, Trimmed [Ss3]	1
4	59658	(10000000- 20000000 )	Screw, Hex, M8 X 1.25 X 35, Ss, NI	2
5	1016331	(10000000- 20000000 )	Washer, Flat, 0.34b 1.25d .11, Ss	2
6	1035469	(10000000- 20000000 )	Fitting, Plstc, Bm12 [Sight Tube]	1
7	07515	(10000000- 20000000 )	Washer, Lock, Int, 0.25 Ss	1
8	367770	(10000000- 20000000 )	Screw, Pan, M6 X 1.0 X 16, Ss	1
9	1020341	(10000000- 20000000 )	Screw, Hex, M8 X 1.25 X 20, Ss, Sems	4
10	41359	(10000000- 20000000 )	Nut, Hex, Std, M6 X 1.00, 8	3
11	01684	(10000000- 20000000 )	Washer,Flat 0.25, Ss	3
12	1054129	(10000000- 20000000 )	Bracket, Hsng, Cntrl, Alm [T3, Ss3]	1
13	1031025	(10000000- 20000000 )	Bushing, Sleeve, 6.5mmb 12mmd 18mml	3
14	07805	(10000000- 20000000 )	Screw, Hex, M6 X 1.0 X 35, Ss	2
15	07515	(10000000- 20000000 )	Washer, Lock, Int, 0.25, Ss	2
16	01684	(10000000- 20000000 )	Washer,Flat 0.25, Ss	2
17	1071570	(10000000- 20000000 )	Label, Instr, Ec- H2o, 4.0x6.50	1

▽ ASSEMBLY

▲ INCLUDED IN ASSEMBLY

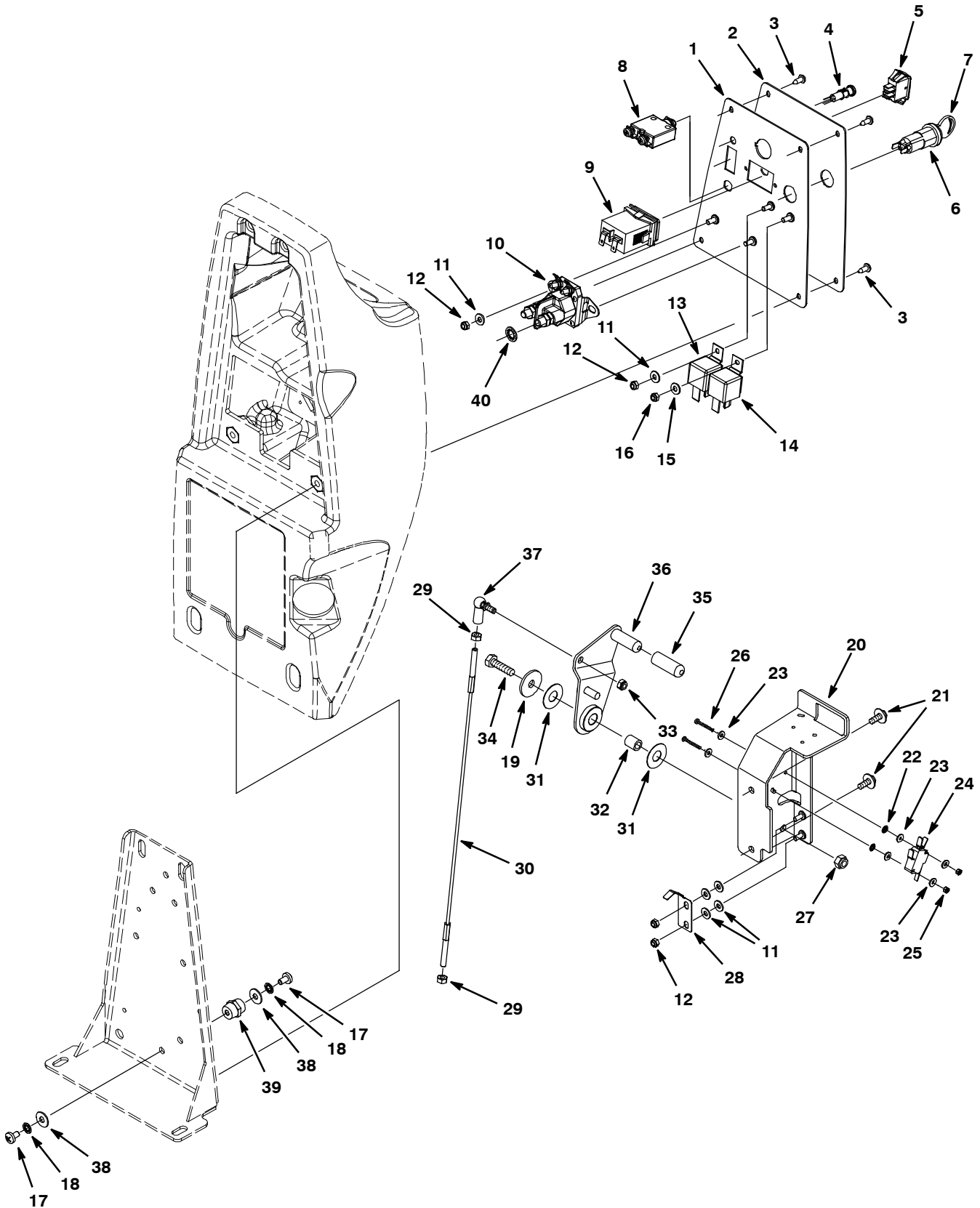
UPPER CONTROL CONSOLE GROUP, BRUSH ASSIST MODEL



## UPPER CONTROL CONSOLE GROUP, BRUSH ASSIST MODEL

Ref.	Part No.	Serial Number	Description	Qty.
1	1026407	(10000000- 20000000 )	Grip, Handle, 31.75mm Dia. X 117mm L	2
2	630094	(10000000- 20000000 )	Cap, Vinyl, 2.26 Id X 12.7lg, Blk	1
3	630081	(10000000- 20000000 )	Lever, Latch, Console Adjust	1
4	630083	(10000000- 20000000 )	Bushing, Latch	2
5	630082	(10000000- 20000000 )	Spring, Cmpr, 0.42od .04wir 01.8l, Pl,Mw	1
6	630084	(10000000- 20000000 )	Ring, Retaining, Ext, 4.62mm, [E- Ring]	1
7	49697	(10432128- 20000000 )	Screw, Pan, Phl, M4 X 0.70 X 10, Ss	2
7	630114	(10000000- 10432127 )	Screw, Flt, M4 X 0.7 X 8, 4.8	2
8	630087	(10000000- 20000000 )	Plate, Latch, Retainer	1
9	140328	(10000000- 20000000 )	Clamp, Cable, Nyl, 0.38d, Blk	1
10	1009324	(10000000- 20000000 )	Screw, Pan, #10- 16 X 0.50,Phl,Blk[Ty- 17]	1
11	140825	(10000000- 20000000 )	Screw, Pan, #06 X 0.50, Phl, Blk,Fmg[Ab]	2
12	1031162	(10000000- 20000000 )	Panel, Cntrl, Upper, Battery Indicator	1
13	1057627	(10000000- 20000000 )	Indicator, Battery, 24vdc, 1.73volt/Cell	1
14	579211	(10000000- 20000000 )	Nut, Hex, Lock, M3 X 0.50, Ss	2
15	1031952	(10432128- 20000000 )	Console, Upper, Rm- Spg, Trimmmed, Push	1
15	9006217	(10000000- 10432127 )	Console Kit, Upper, Rm- Spg W/ Scr [Ss3]	1
16	02938	(10000000- 20000000 )	Washer, Lock, Int, #08, Ss	1
17	33931	(10000000- 20000000 )	Screw, Pan, Phl, M4 X 0.70 X 30, Ss	1
1063203	<del>1072354</del>	(10000000- 20000000 )	Controlbox, Assy, Trigger	1
19	1032889	(10000000- 20000000 )	Screw, Pan, #8- 18 X 1.12, F/ Plstc	2
20	608562	(10000000- 20000000 )	Washer, Flat, 0.51b 0.94d .06, Nyl	8
21	607783	(10000000- 20000000 )	Bearing, Sleeve, .31id X .50od X .25,Bnz	2
22	630259	(10000000- 20000000 )	Bearing, 9.5id 12.7od 6.4l,Brz	2
23	1030879	(10000000- 20000000 )	Plate, Slide, Console [Ss3]	1
24	01685	(10000000- 20000000 )	Washer, Flat, 0.38b 0.88d .08, Ss	4
25	08709	(10000000- 20000000 )	Nut, Hex, Lock, M8 X 1.25, NI	4
26	607461	(10432128- 20000000 )	Screw, Set, M8 X 1.25 X 35, NI	4
26	1032057	(10000000- 10432127 )	Screw, Set, M8x1.25x30, W/Patch	4

COMPONENT PANEL GROUP, BRUSH ASSIST MODEL





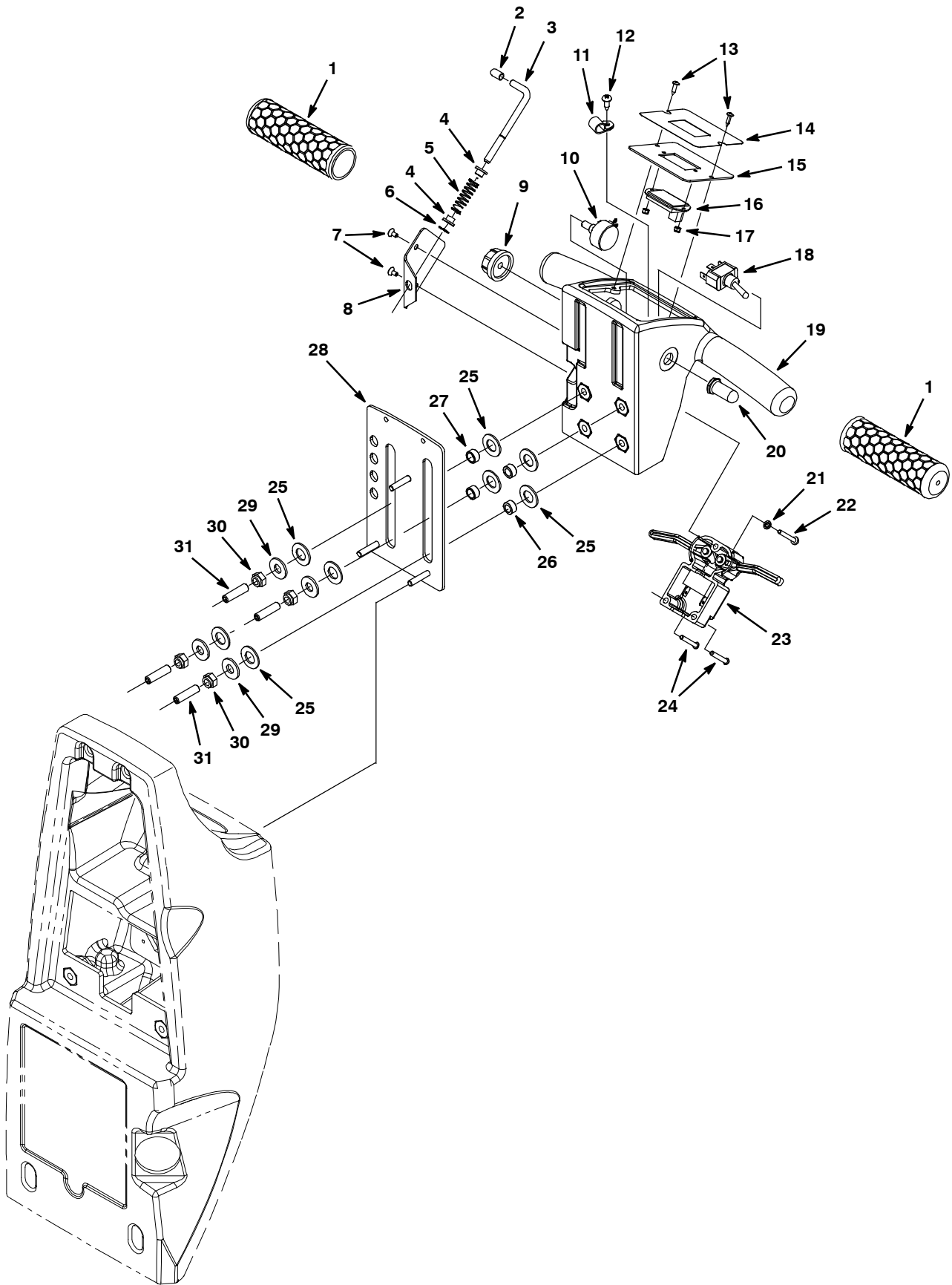
## COMPONENT PANEL GROUP, BRUSH ASSIST MODEL

Ref.	Part No.	Serial Number	Description	Qty.	
1	1012134	(10000000- 20000000 )	Panel, Cntrl, Lower	1	
2	1016628	(10000000- 20000000 )	Label, Panl, Instmt, Lower [T3/T3e/Ss3]	1	
2	1049998	(10000000- 20000000 )	Label, Console, Lower Ec- H2o [T3 Na/Aej] (ec-H2O Model)	1	
3	1009324	(10000000- 20000000 )	Screw, Pan, #10- 16 X 0.50,Phl,Blk[Ty- 17]	4	
4	1041822	(10000000- 20000000 )	Light, Panel, Mgt, .312" Dia. (ec-H2O Model)	1	
5	130787	(10000000- 20000000 )	Switch, Rocker, Spdt (Fast & ec-H2O Model)	1	
▽	6	1011402	(10000000- 20000000 )	Switch, Key	1
▲	7	1017696	(10000000- 20000000 )	Key Set, Replmt [F/ Keyswitch 1011402]	1
8	1057902	(10000000- 20000000 )	Circuitbreaker, 35.0a	1	
9	1064038	(10000000- 20000000 )	Gauge, Hourmeter, 05- 277 Volt, Ac / Dc	1	
10	1038490	(10000000- 20000000 )	Relay, 24vdc, 100a, No [Trombetta]	2	
11	01683	(10000000- 20000000 )	Washer, Flat, #10, Ss	7	
12	09739	(10000000- 20000000 )	Nut, Hex, Lock, M5 X 0.80, NI, Ss	4	
13	1012216	(10000000- 20000000 )	Relay, 24vdc, 070a, Spst No, Plug- In	1	
14	1012216	(10000000- 20000000 )	Relay, 24vdc, 070a, Plug- In (Fast & ec-H2O Model)	1	
15	01683	(10000000- 20000000 )	Washer, Flat, #10, Ss (Fast & ec-H2O Model)	1	
16	09739	(10000000- 20000000 )	Nut, Hex, Lock, M5 X 0.80, NI, (Fast & ec-H2O Model)	1	
17	48732	(10000000- 20000000 )	Screw, Pan, M6 X 1.0 X 10, Ss	2	
18	07515	(10000000- 20000000 )	Washer, Lock, Int, 0.25, Ss	2	
19	1016331	(10000000- 20000000 )	Washer, Flat, 0.34b 1.25d .11, Ss	1	
20	1012850	(10000000- 20000000 )	Bracket Wldt, Lever, Sqge	1	
21	1034731	(10000000- 20000000 )	Screw, Hex, M6 X 1.00 X 16, Sems, Ss	2	
22	02938	(10000000- 20000000 )	Washer, Lock, Int, 08, Ss	2	
23	41578	(10000000- 20000000 )	Washer, Flat, #06, Ss	6	
24	1012568	(10000000- 20000000 )	Switch, Snap, 10a, Short	1	
25	579211	(10000000- 20000000 )	Nut, Hex, Lock, M3 X 0.50, Ss	2	
26	1042062	(10000000- 20000000 )	Screw, Hex, M3 X 0.5 X 25, Ss	2	
27	08713	(10000000- 20000000 )	Nut, Hex, Lock, M8 X 1.25, NI, Ss	1	
28	1017627	(10000000- 20000000 )	Spring, Lever, Sqge	1	
29	07785	(10000000- 20000000 )	Nut, Hex, Std, M6 X 1.00, A2, Ss	2	
30	1013479	(10000000- 20000000 )	Cable, Glv 3.18mmd 0412l M06/ M06	1	
31	1013397	(10000000- 20000000 )	Washer, Flat, M13 X 30 X 0.8, Nyl	2	
32	1014336	(10000000- 20000000 )	Sleeve, P/M, 8.40b 12.60d 14.5l, PI	1	
33	08712	(10000000- 20000000 )	Nut, Hex, Lock, M6 X 1.00, Ss, NI	1	
34	09011	(10000000- 20000000 )	Screw, Hex, M8 X 1.25 X 30, Ss	1	
35	1016895	(10000000- 20000000 )	Cap, Handle, Sqge Lift	1	
36	1013329	(10000000- 20000000 )	Lever Wldt, Sqge	1	
37	1012747	(10000000- 20000000 )	Balljoint, M06 X 1.0 Fem, M06 X 1.0 Mal	1	
38	01684	(10000000- 20000000 )	Washer, Flat, 0.27b 0.69d .05, Ss	2	
39	1013523	(10000000- 20000000 )	Stand- Off, Wir, M6, 18 Hex, 20l, Insul	1	
40	43952	(10000000- 20000000 )	Washer, Lock, Int, 0.31, Ss	1	

▽ ASSEMBLY

▲ INCLUDED IN ASSEMBLY

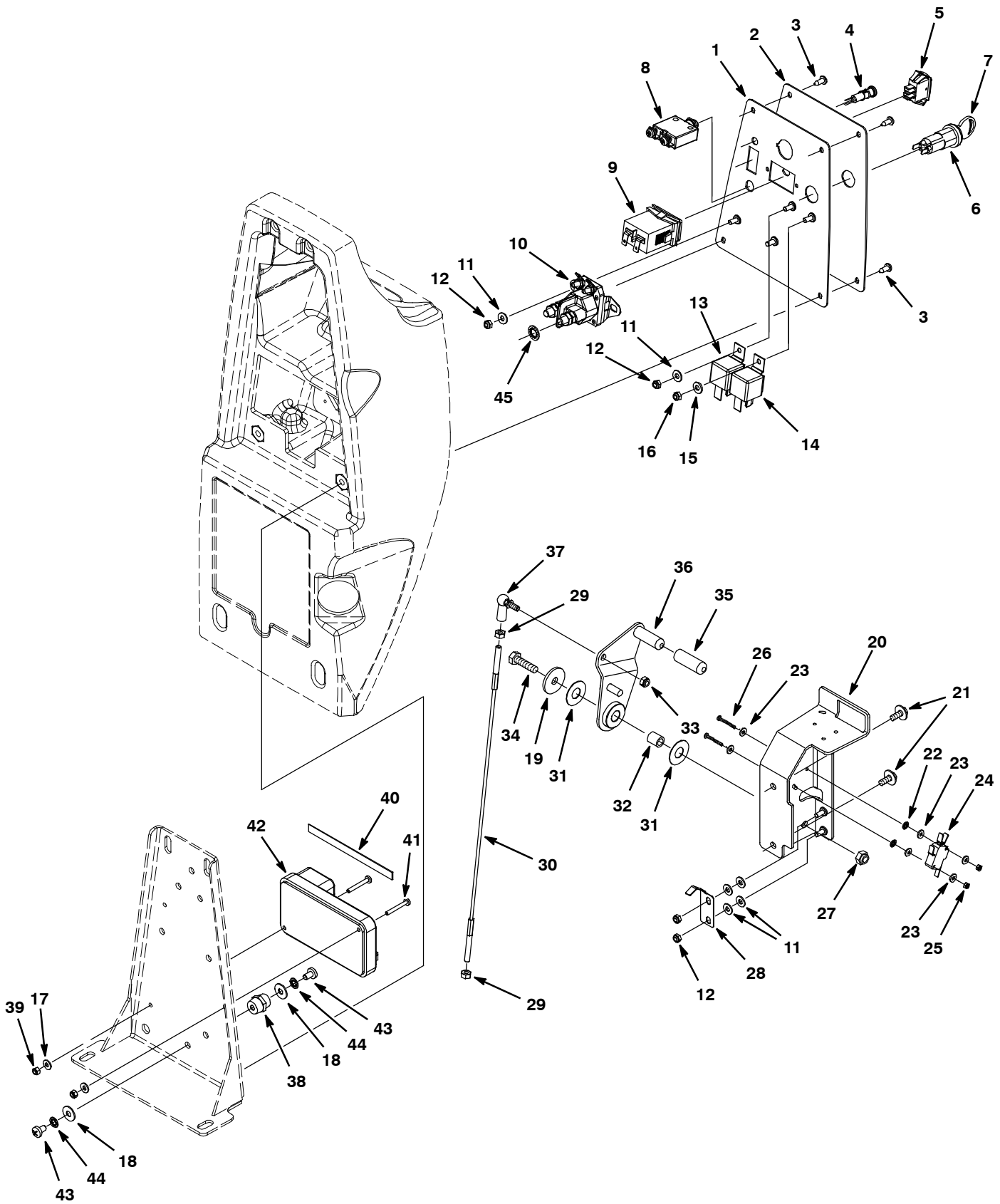
UPPER CONTROL CONSOLE GROUP, DRIVE MODEL



## UPPER CONTROL CONSOLE GROUP, DRIVE MODEL

Ref.	Part No.	Serial Number	Description	Qty.
1	1026407	(10000000- 20000000 )	Grip, Handle, 31.75mm Dia. X 117mm L	2
2	630094	(10000000- 20000000 )	Cap, Vinyl, 2.26 Id X 12.7lg, Blk	1
3	630081	(10000000- 20000000 )	Lever, Latch, Console Adjust	1
4	630083	(10000000- 20000000 )	Bushing, Latch	2
5	630082	(10000000- 20000000 )	Spring, Cmpr, 0.42od .04wir 01.8l, Pl,Mw	1
6	630084	(10000000- 20000000 )	Ring, Retaining, Ext, 4.62mm, [E- Ring]	1
7	49697	(10432128- 20000000 )	Screw, Pan, Phl, M4 X 0.70 X 10, Ss	2
7	630114	(10000000- 10432127 )	Screw, Flt, M4 X 0.7 X 8, 4.8	2
8	630087	(10000000- 20000000 )	Plate, Latch, Retainer	1
9	1028037	(10000000- 20000000 )	Knob, 1.25d	1
10	1042687	(10000000- 20000000 )	Harness, Pot, Wire Assy [45k Ohm]	1
11	140328	(10000000- 20000000 )	Clamp, Cable, Nyl, 0.38d, Blk	1
12	1009324	(10000000- 20000000 )	Screw, Pan, #10- 16 X 0.50,Phl,Blk[Ty- 17]	1
13	140825	(10000000- 20000000 )	Screw, Pan, #06 X 0.50, Phl, Blk,Fmg[Ab]	2
14	1031582	(10000000- 20000000 )	Label, Panel, Cntrl, Upper	1
15	1031162	(10000000- 20000000 )	Panel, Cntrl, Upper, Battery Indicator	1
16	392894	(10000000- 20000000 )	Gauge, Discharge, Battery, 36vdc, Rt,Led	1
17	579211	(10000000- 20000000 )	Nut, Hex, Lock, M3 X 0.50, Ss	2
18	601108	(10000000- 20000000 )	Switch, Toggle, Mom / On / On	1
19	1031000	(10432128- 20000000 )	Console, Upper, Rm- Spg, Trimmmed (Ss3)	1
19	9006223	(10000000- 10432127 )	Console Kit, Upper, Rm- Spg, Drive [Ss3]	1
20	130753	(10000000- 20000000 )	Boot, Switch 1.00l Blk	1
21	02938	(10000000- 20000000 )	Washer, Lock, Int, #08, Ss	1
22	33931	(10000000- 20000000 )	Screw, Pan, Phl, M4 X 0.70 X 30, Ss	1
1063203	<del>1072354</del>	(10000000- 20000000 )	Controlbox, Assy, Trigger	1
24	1032889	(10000000- 20000000 )	Screw, Pan, #8- 18 X 1.12, F/ Plstc	2
25	608562	(10000000- 20000000 )	Washer, Flat, 0.51b 0.94d .06, Nyl	8
26	607783	(10000000- 20000000 )	Bearing, Sleeve, .31id X .50od X .25,Bnz	2
27	630259	(10000000- 20000000 )	Bearing, 9.5id 12.7od 6.4l,Brz	2
28	1030879	(10000000- 20000000 )	Plate, Slide, Console [Ss3]	1
29	01685	(10000000- 20000000 )	Washer, Flat, 0.38b 0.88d .08, Ss	4
30	08709	(10000000- 20000000 )	Nut, Hex, Lock, M8 X 1.25, NI	4
31	607461	(10432128- 20000000 )	Screw, Set, M8 X 1.25 X 35, NI	4
31	1032057	(10000000- 10432127 )	Screw, Set, M8x1.25x30, W/Patch	4

COMPONENT PANEL GROUP, DRIVE MODEL



## COMPONENT PANEL GROUP, DRIVE MODEL

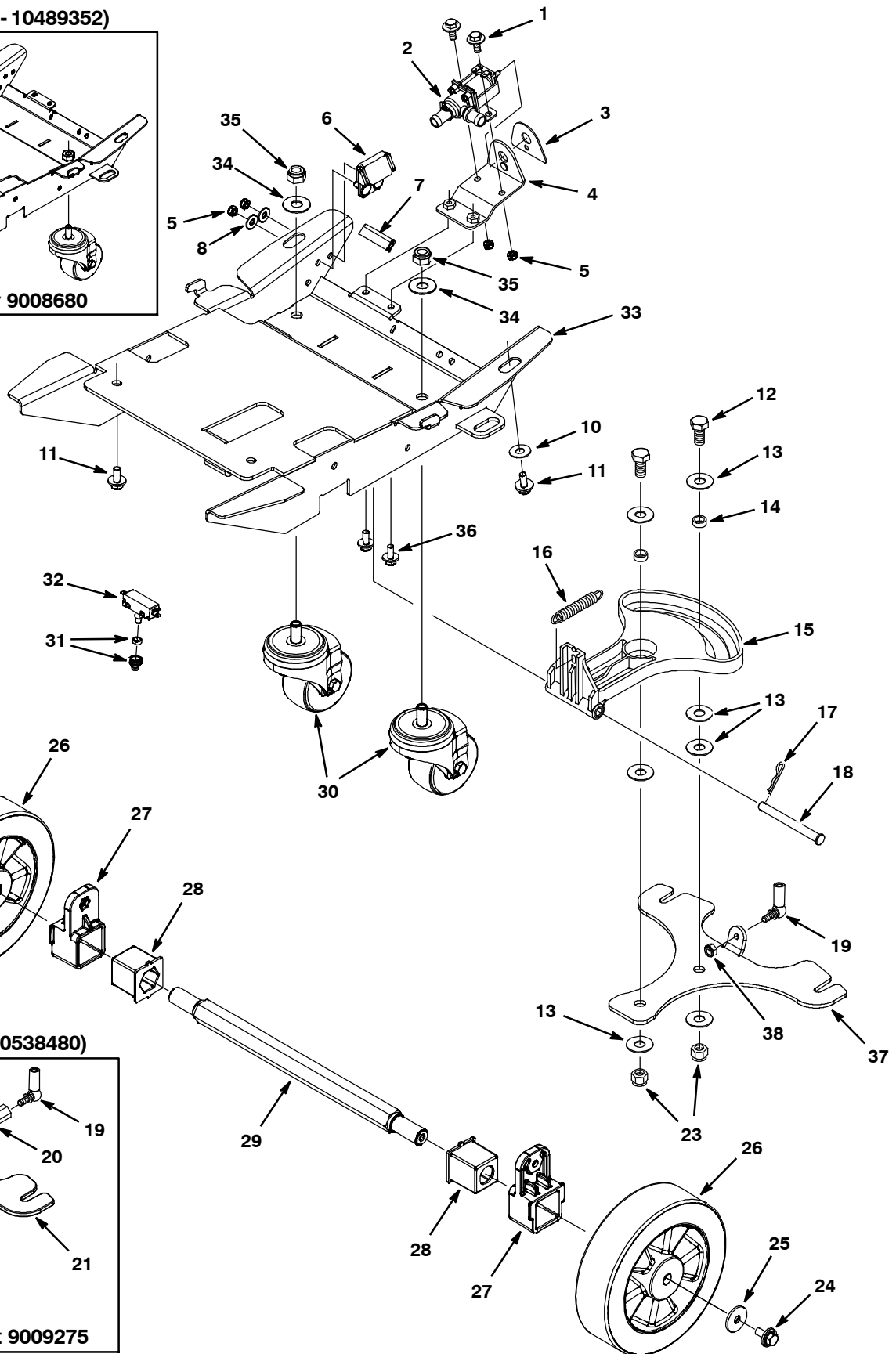
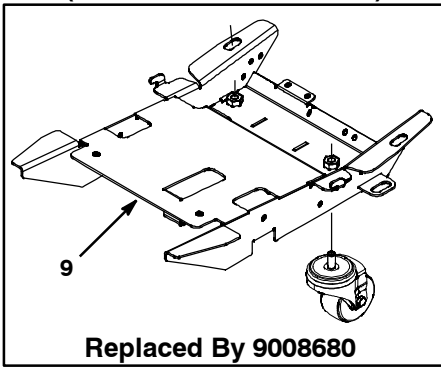
Ref.	Part No.	Serial Number	Description	Qty.	
1	1012134	(10000000- 20000000 )	Panel, Cntrl, Lower	1	
2	1016628	(10000000- 20000000 )	Label, Panl, Instmt, Lower [T3/T3e/Ss3]	1	
2	1049998	(10000000- 20000000 )	Label, Console, Lower Ec- H2o [T3 Na/Aej] (ec-H2O Model)	1	
3	1009324	(10000000- 20000000 )	Screw, Pan, #10- 16 X 0.50,Phl,Blk[Ty- 17]	4	
4	1041822	(10000000- 20000000 )	Light, Panel, Mgt, .312" Dia. (ec-H2O Model)	1	
5	130787	(10000000- 20000000 )	Switch, Rocker, Spdt (Fast & ec-H2O Model)	1	
▽	6	1011402	(10000000- 20000000 )	Switch, Key	1
▲	7	1017696	(10000000- 20000000 )	Key Set, Replmt [F/ Keyswitch 1011402]	1
8	1057902	(10000000- 20000000 )	Circuitbreaker, 35.0a	1	
9	1064038	(10000000- 20000000 )	Gauge, Hourmeter, 05- 277 Volt, Ac / Dc	1	
10	1038490	(10000000- 20000000 )	Relay, 24vdc, 100a, No [Trombetta]	2	
11	01683	(10000000- 20000000 )	Washer, Flat, #10, Ss	7	
12	09739	(10000000- 20000000 )	Nut, Hex, Lock, M5 X 0.80, NI, Ss	4	
13	1012216	(10000000- 20000000 )	Relay, 24vdc, 070a, Spst No, Plug- In	1	
14	1012216	(10000000- 20000000 )	Relay, 24vdc, 070a, Plug- In (Fast & ec-H2O Model)	1	
15	01683	(10000000- 20000000 )	Washer, Flat, #10, Ss (Fast & ec-H2O Model)	1	
16	09739	(10000000- 20000000 )	Nut, Hex, Lock, M5 X 0.80, NI (Fast & ec-H2O Model)	1	
17	41579	(10000000- 20000000 )	Washer, Flat, #08, Ss	2	
18	01684	(10000000- 20000000 )	Washer, Flat, 0.27b 0.69d .05, Ss	2	
19	1016331	(10000000- 20000000 )	Washer, Flat, 0.34b 1.25d .11, Ss	1	
20	1012850	(10000000- 20000000 )	Bracket Wldt, Lever, Sqge	1	
21	1034731	(10000000- 20000000 )	Screw, Hex, M6 X 1.00 X 16, Sems, Ss	2	
22	02938	(10000000- 20000000 )	Washer, Lock, Int, 08, Ss	2	
23	41578	(10000000- 20000000 )	Washer, Flat, #06, Ss	6	
24	1012568	(10000000- 20000000 )	Switch, Snap, 10a, Short	1	
25	579211	(10000000- 20000000 )	Nut, Hex, Lock, M3 X 0.50, Ss	2	
26	1042062	(10000000- 20000000 )	Screw, Hex, M3 X 0.5 X 25, Ss	2	
27	08713	(10000000- 20000000 )	Nut, Hex, Lock, M8 X 1.25, NI, Ss	1	
28	1017627	(10000000- 20000000 )	Spring, Lever, Sqge	1	
29	07785	(10000000- 20000000 )	Nut, Hex, Std, M6 X 1.00, A2, Ss	2	
30	1013479	(10000000- 20000000 )	Cable, Glv 3.18mmd 0412l M06/ M06	1	
31	1013397	(10000000- 20000000 )	Washer, Flat, M13 X 30 X 0.8, Nyl	2	
32	1014336	(10000000- 20000000 )	Sleeve, P/M, 8.40b 12.60d 14.5l, PI	1	
33	08712	(10000000- 20000000 )	Nut, Hex, Lock, M6 X 1.00, Ss, NI	1	
34	09011	(10000000- 20000000 )	Screw, Hex, M8 X 1.25 X 30, Ss	1	
35	1016895	(10000000- 20000000 )	Cap, Handle, Sqge Lift	1	
36	1013329	(10000000- 20000000 )	Lever Wldt, Sqge	1	
37	1012747	(10000000- 20000000 )	Balljoint, M06 X 1.0 Fem, M06 X 1.0 Mal	1	
38	1013523	(10000000- 20000000 )	Stand- Off, Wir, M6, 18 Hex, 20l, Insul	1	
39	33932	(10000000- 20000000 )	Nut, Hex, Lock, M4 X 0.70, NI, Ss	2	
40	1020280	(10000000- 20000000 )	Seal, Afmkt, Rbr, Clsd, Adh, 01ft (C410217)	1	
41	33931	(10000000- 20000000 )	Screw, Pan, M4 X 0.7 X 30, Ss	2	
42	1052260	(10000000- 20000000 )	Module, Drive [T3]	1	
43	48732	(10000000- 20000000 )	Screw, Pan, M6 X 1.0 X 10, Ss	2	
44	07515	(10000000- 20000000 )	Washer, Lock, Int, 0.25, Ss	2	
45	43952	(10000000- 20000000 )	Washer, Lock, Int, 0.31, Ss	1	

▽ ASSEMBLY

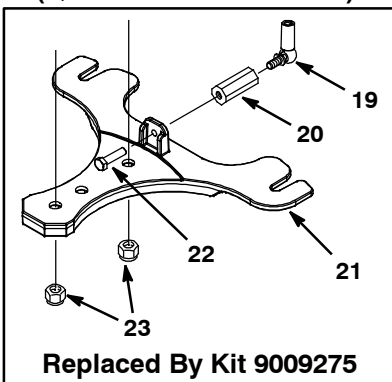
▲ INCLUDED IN ASSEMBLY

WHEEL GROUP, BRUSH ASSIST MODEL

(S/N 10000000-10489352)



(S/N 10000000-10538480)



## WHEEL GROUP, BRUSH ASSIST MODEL

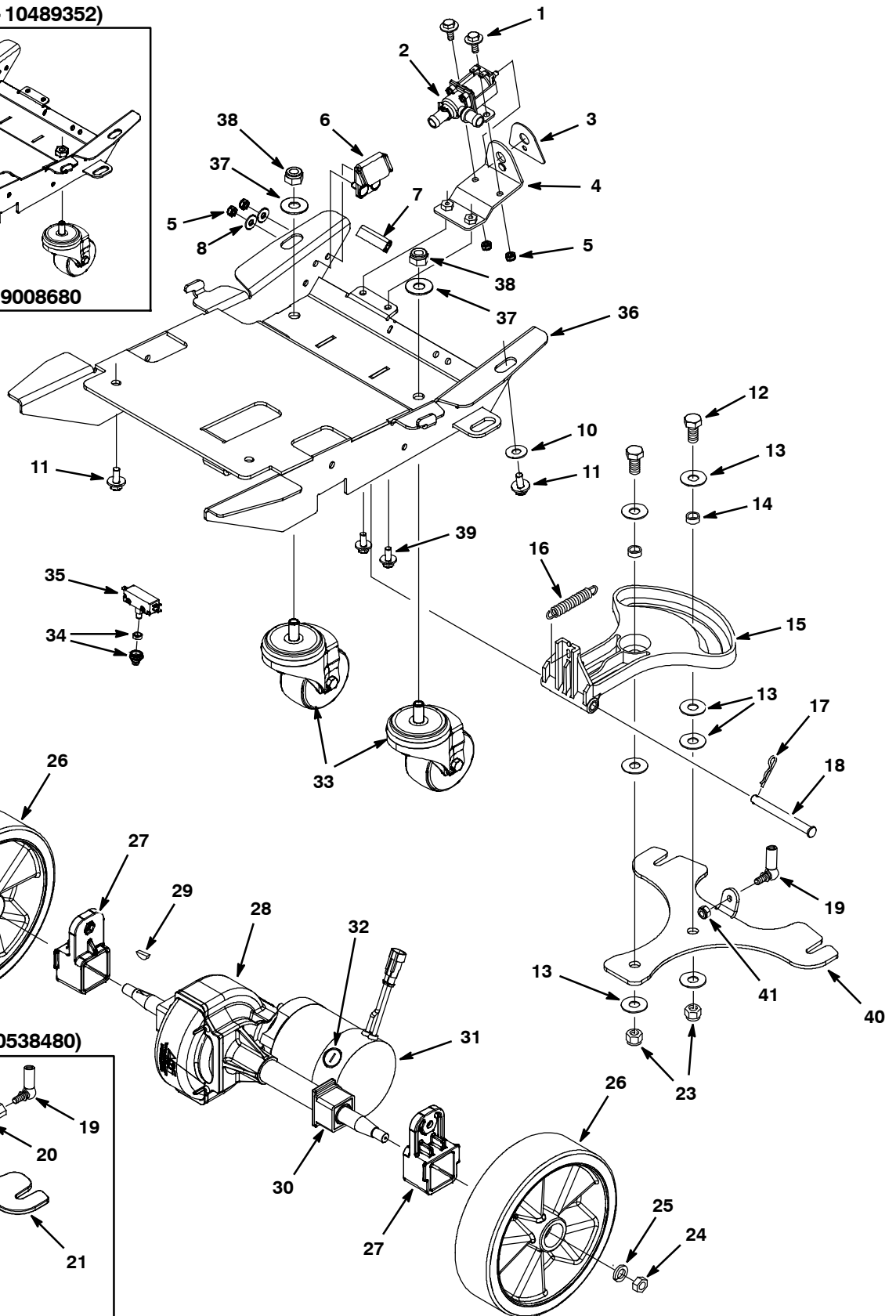
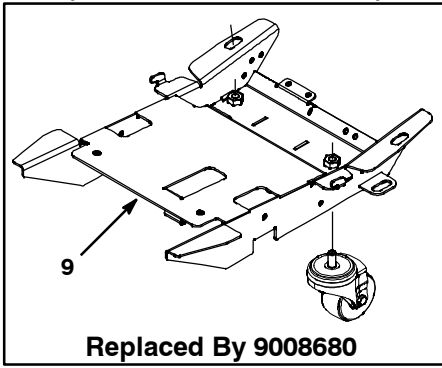
Ref.	Part No.	Serial Number	Description	Qty.
	1	1034731	(10000000- 20000000 ) Screw, Hex, M6 X 1.00 X 16, Ss, Sems	2
▽	2	1062385	(10000000- 20000000 ) Valve, Water, Solenoid, 24vdc Bm10/Bm10	1
▲	614265	(10000000- 20000000 ) Valve Kit, Water [Viton Diaphragm]	1	
	3	1014156	(10000000- 20000000 ) Label, Opertnl, Lower, Soltn Flow	1
	4	1037292	(10000000- 20000000 ) Bracket, Mtg, Valve, Soltn [Ss3]	1
	5	08712	(10000000- 20000000 ) Nut, Hex, Lock, M6 X 1.0, Ss, NI	4
	6	1013946	(10000000- 20000000 ) Bracket, Locking, Pedal, Foot Ylw	1
	7	1034551	(10000000- 20000000 ) Trim, Plstc, Edge, .12 X .56 X 1.75	1
	8	01684	(10000000- 20000000 ) Washer, Flat, 0.25 Ss	2
	9	1023428	(10000000- 10489352 ) Frame Wldt, Mach, Blk (Replaced By 9008680)	1
	10	1016331	(10000000- 20000000 ) Washer, Flat, 0.34b 1.25d .11, Ss	2
	11	1020341	(10000000- 20000000 ) Screw, Hex, M8 X 1.25 X 20, Ss, Sems	4
	12	12309	(10000000- 20000000 ) Screw, Hex, M12 X 1.75 X 30, Ss	2
	13	140045	(10000000- 20000000 ) Washer, Flat, 0.51b 1.25d .06, Ss	7
	14	1013662	(10000000- 20000000 ) Bushing, Sleeve, 12mm 16mm 6.5mml, Pm Yw	2
	15	1023389	(10000000- 20000000 ) Bracket, Sqge, Lift, Mold Blk, Nyl	1
	16	1008721	(10000000- 20000000 ) Spring, Extn, 0.75od 0.09wir 03.5l	1
	17	44906	(10000000- 20000000 ) Pin, Cotter, Hair, 0.69d .092 Wir	1
	18	1013610	(10000000- 20000000 ) Pin, Clevis, 10mmd X 100mml	1
	19	1012747	(10000000- 20000000 ) Balljoint, M6 X 1.0 Fem, M6 X 1.0 Mal	1
	20	1002078	(10000000- 10538480 ) Spacer, 0.50hex X 1.25l, M6 Thread	1
	21	1026265	(10000000- 10538480 ) Bracket, Mtg, Sqge, Cast, Alm (Replaced By 9009275)	1
	22	1034741	(10000000- 10538480 ) Screw, Hex, .31- 18 X 1.25, Ss, NI	1
	23	09741	(10000000- 20000000 ) Nut, Hex, Lock, M12 X 1.75, NI, Ss	2
	24	1020341	(10000000- 20000000 ) Screw, Hex, M8 X 1.25 X 20, Ss, Sems	2
	25	1016331	(10000000- 20000000 ) Washer, Flat, 0.34b 1.25d .11, Ss	2
	26	1013248	(10000000- 20000000 ) Wheel, Scrbr, 198.00 Mm With Bearing	2
	27	1028292	(10000000- 20000000 ) Adapter, Mtg, Axle, Alm	2
	28	1028381	(10000000- 20000000 ) Grommet, Axle	2
	29	1028382	(10000000- 20000000 ) Axle, Wheel, Hex, Clr Zn	1
	30	1026345	(10000000- 20000000 ) Caster, Swivel, 80mm D, M12 X 25 Stem	2
	31	1035711	(10000000- 20000000 ) Boot, Switch, Hex Nut, .38- 32 Thd	1
	32	606292	(10000000- 20000000 ) Switch, Push, Actuator, 20a	1
▽	33	9008680	(10489353- 20000000 ) Frame Kit, Main, W/ Caster Fastenrs [T3]	1
▲	34	140045	(10489353- 20000000 ) Washer, Flat, 0.51b 1.25d .06, Ss	2
▲	35	09741	(10489353- 20000000 ) Nut, Hex, Lock, M12 X 1.75, NI, Ss	2
	36	08716	(10000000- 20000000 ) Screw, Hex, M6 X 1.00 X 20, SS	2
	37	1066505	(10538481- 20000000 ) Bracket, Mtg, Sqge, Stl [T3]	1
	38	08712	(10538481- 20000000 ) Nut, Hex, Lock, M6 X 1.00, NI, Ss	1

▽ ASSEMBLY

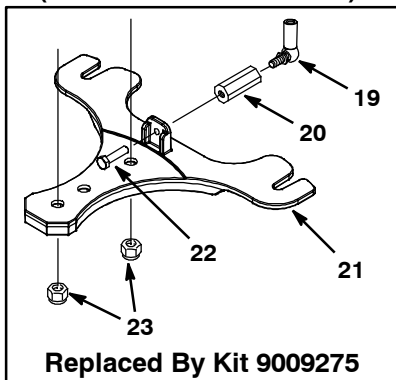
▲ INCLUDED IN ASSEMBLY

WHEEL GROUP, DRIVE MODEL

(S/N 1000000-10489352)



(S/N 1000000-10538480)





## WHEEL GROUP, DRIVE MODEL

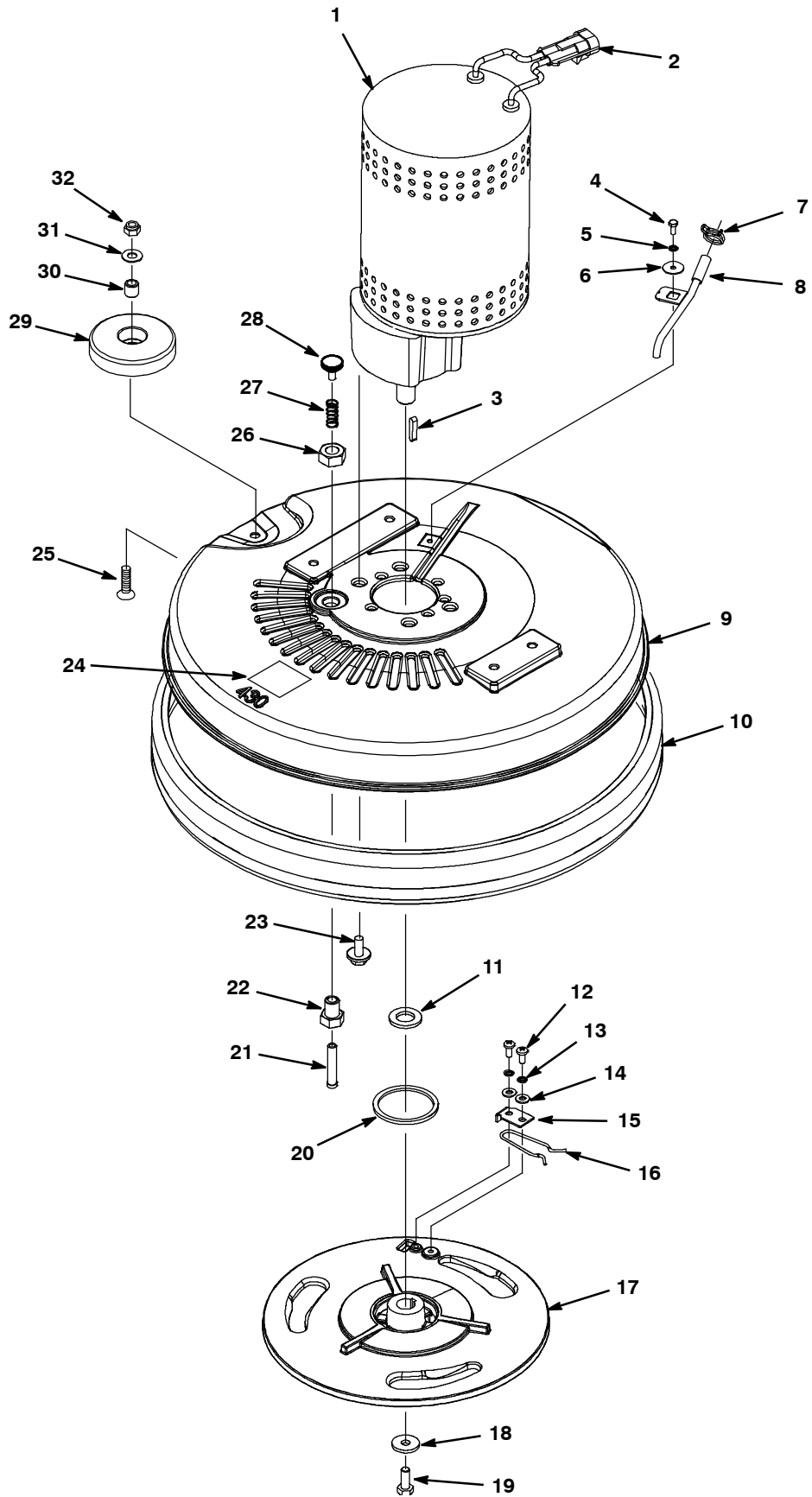
Ref.	Part No.	Serial Number	Description	Qty.
	1	1034731	(10000000- 20000000 ) Screw, Hex, M6 X 1.00 X 16, Ss, Sems	2
▽	2	1062385	(10000000- 20000000 ) Valve, Water, Solenoid, 24vdc Bm10/Bm10	1
▲	614265	(10000000- 20000000 ) Valve Kit, Water [Viton Diaphragm]	1	
	3	1014156	(10000000- 20000000 ) Label, Opertnl, Lower, Soltn Flow	1
	4	1037292	(10000000- 20000000 ) Bracket, Mtg, Valve, Soltn	1
	5	08712	(10000000- 20000000 ) Nut, Hex, Lock, M6 X 1.0, Ss, NI	4
	6	1013946	(10000000- 20000000 ) Bracket, Locking, Pedal, Foot Ylw	1
	7	1034551	(10000000- 20000000 ) Trim, Plstc, Edge, .12 X .56 X 1.75	1
	8	01684	(10000000- 20000000 ) Washer, Flat, 0.25 Ss	2
	9	1023428	(10000000- 10489352 ) Frame Wldt, Mach, Blk (Replaced By 9008680)	1
	10	1016331	(10000000- 20000000 ) Washer, Flat, 0.34b 1.25d .11, Ss	2
	11	1020341	(10000000- 20000000 ) Screw, Hex, M8 X 1.25 X 20, Ss, Sems	4
	12	12309	(10000000- 20000000 ) Screw, Hex, M12 X 1.75 X 30, Ss	2
	13	140045	(10000000- 20000000 ) Washer, Flat, 0.51b 1.25d .06, Ss	7
	14	1013662	(10000000- 20000000 ) Bushing, Sleeve, 12mm 16mm 6.5mml, Pm Yw	2
	15	1023389	(10000000- 20000000 ) Bracket, Sqge, Lift, Mold Blk, Nyl	1
	16	1008721	(10000000- 20000000 ) Spring, Extn, 0.75od 0.09wir 03.5l	1
	17	44906	(10000000- 20000000 ) Pin, Cotter, Hair, 0.69d .092 Wir	1
	18	1013610	(10000000- 20000000 ) Pin, Clevis, 10mmd X 100mml	1
	19	1012747	(10000000- 20000000 ) Balljoint, M6 X 1.0 Fem, M6 X 1.0 Mal	1
	20	1002078	(10000000- 10538480 ) Spacer, 0.50hex X 1.25l, M6 Thread	1
	21	1026265	(10000000- 10538480 ) Bracket, Mtg, Sqge, Cast, Alm (Replaced By 9009275)	1
	22	1034741	(10000000- 10538480 ) Screw, Hex, .31- 18 X 1.25, Ss, NI	1
	23	09741	(10000000- 20000000 ) Nut, Hex, Lock, M12 X 1.75, NI, Ss	2
	24	07788	(10000000- 20000000 ) Nut, Hex, Std, M12 X 1.75, Ss	2
	25	140024	(10000000- 20000000 ) Washer, Lock, Split, 0.50, Ss	2
	26	1039655	(10000000- 20000000 ) Wheel, Scrbr, 198.00mm, W/ Taper [T3]	2
	27	1028292	(10000000- 20000000 ) Adapter, Mtg, Axle, Alm	2
▽	28	1039475	(10000000- 20000000 ) Transaxle, Ele, 24vdc, 112rpm, Pkrd,Dfma	1
▲	1017782	(10000000- 20000000 ) Coupling Kit, Transaxle, Replmt [11057]	1	
▲	29	1021167	(10000000- 20000000 ) Key, Woodruff, 5mm	2
▲	30	612880	(10000000- 20000000 ) Sleeve, Transaxle, Replmt	2
▲▽	31	1019916	(10000000- 20000000 ) Motor, Transaxle, 24vdc, Replmt	1
▲▲	32	614166	(10000000- 20000000 ) Brush Kit, Carbon [Qty 4]	1
	33	1026345	(10000000- 20000000 ) Caster, Swivel, 80mm D, M12 X 25 Stem	2
	34	1035711	(10000000- 20000000 ) Boot, Switch, Hex Nut, .38- 32 Thd	1
	35	606292	(10000000- 20000000 ) Switch, Push, Actuator, 20a	1
▽	36	9008680	(10489353- 20000000 ) Frame Kit, Main, W/ Caster Fastenrs [T3]	1
▲	37	140045	(10489353- 20000000 ) Washer, Flat, 0.51b 1.25d .06, Ss	2
▲	38	09741	(10489353- 20000000 ) Nut, Hex, Lock, M12 X 1.75, NI, Ss	2
	39	08716	(10000000- 20000000 ) Screw, Hex, M6 X 1.00 X 20, SS	2
	40	1066505	(10538481- 20000000 ) Bracket, Mtg, Sqge, Stl [T3]	1
	41	08712	(10538481- 20000000 ) Nut, Hex, Lock, M6 X 1.00, NI, Ss	1
	N/S	130773	(10000000- 20000000 ) Tie, Cable, Nyl, 11.0l, .14w, 3.0 Max. D	4

▽ ASSEMBLY

▲ INCLUDED IN ASSEMBLY

# STANDARD PARTS

## SCRUB HEAD GROUP, 43 cm (17 in) MODEL (S/N 10635451- )



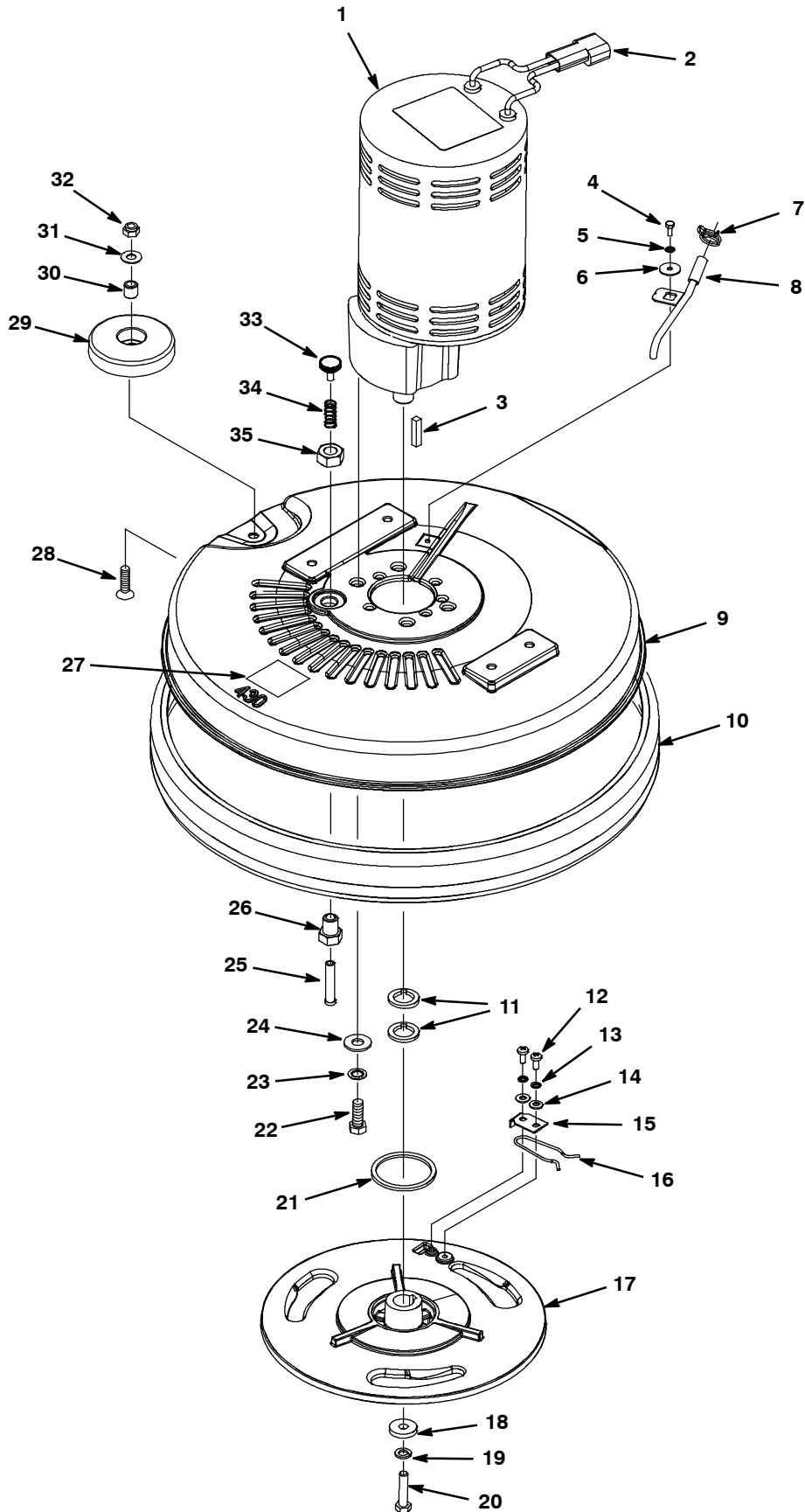
## SCRUB HEAD GROUP, 43 cm (17 in) MODEL (S/N 10635451- )

Ref.	Part No.	Serial Number	Description	Qty.
▽	1	1062544	(10635451- 20000000 ) Motor, Ele, 24vdc 0200rpm 1.00hp, 17mm	1
▲		1045790	(10000000- 20000000 ) Brush Kit, Replmt, Carbon 24vdc [4pc = 1kit]	1
▲	2	607798	(10000000- 20000000 ) Terminal Mal Brush Motor Leads	2
▲	2	607801	(10000000- 20000000 ) Clip, Position, Terminal [Packard]	1
	3	1014328	(10635451- 20000000 ) Key, Sq, 05mm X 05mm, 25mml	1
	4	1020234	(10000000- 20000000 ) Screw, Hex, M4 X 0.7 X 10, Ss	1
	5	02938	(10000000- 20000000 ) Washer, Lock, Int, 08, Ss	1
	6	1009168	(10000000- 20000000 ) Washer, Flat, 0.17b 0.75d .04, Ss	1
	7	607775	(10000000- 20000000 ) Clamp, Hose, Wir, .63 - .66, Blk	1
	8	1016155	(10000000- 20000000 ) Tube Wldt, Supply, Water	1
	9	1048186	(10000000- 20000000 ) Housing, Head, 43cm [Die Cast]	1
	10	1055019	(10000000- 20000000 ) Bumper, Head, 43cm, W/ Bristle Skirt, Im	1
	11	1022549	(10635451- 20000000 ) Spacer, Shaft, 17.15b 30.0d 3.0l, Ss	1
	12	09200	(10000000- 20000000 ) Screw, Pan, M5 X 0.8 X 12, Ss	2
	13	07514	(10000000- 20000000 ) Washer, Lock, Int, #10, Ss	2
	14	01683	(10000000- 20000000 ) Washer, Flat, 0.22b 0.50d .05, Ss [#10]	2
	15	1011201	(10000000- 20000000 ) Plate, Clamp, Brush	1
	16	1013188	(10000000- 20000000 ) Clip, Spring, Drive Plate Yel Pl	1
	17	1063046	(10635451- 20000000 ) Hub, Drive, 3lug, Alm, 17.0b [Heavy Dp]	1
	18	1017218	(10635451- 20000000 ) Washer, Flat, 0.32b 1.00d .12, Ss	1
	19	12273	(10635451- 20000000 ) Screw, Hex, M8 X 1.25 X 20, NI, Ss	1
	20	1016426	(10000000- 20000000 ) Ring, Water, Containment	1
	21	1037399	(10000000- 20000000 ) Pin, Stop, 8.3mmd X 42mml	1
	22	605825	(10000000- 20000000 ) Screw, Stop, Head Pin	1
	23	1020341	(10635451- 20000000 ) Screw, Hex, M8 X 1.25 X 20, Ss, Sems	4
	24	578769	(10000000- 20000000 ) Label, Moving Parts	1
	25	79506	(10000000- 20000000 ) Screw, Flt, M8 X 1.25 X 30, Ss	1
	26	1037470	(10000000- 20000000 ) Nut, Hex, M14 X 2.00, Ss	1
	27	1037400	(10000000- 20000000 ) Spring, Cmpr, .42od, .04wir, 1.0l, Pl,Mw	1
	28	603012	(10000000- 20000000 ) Knob, Rnd, 19.0d M6 X 12, Stud, Plstc,Pl	1
	29	1010560	(10000000- 20000000 ) Wheel, Bmpr, 80d X 25w, Non- Marking	1
	30	222460	(10000000- 20000000 ) Sleeve, P/M, 0.31b 0.50d 0.5l	1
	31	140027	(10000000- 20000000 ) Washer, Flat, 0.35b 0.75d .04, Ss	1
	32	08713	(10000000- 20000000 ) Nut, Hex, Lock, M8 X 1.25, NI, Ss	1

▽ ASSEMBLY

▲ INCLUDED IN ASSEMBLY

SCRUB HEAD GROUP, 43 cm (17 in) MODEL (S/N 1000000-10635450)



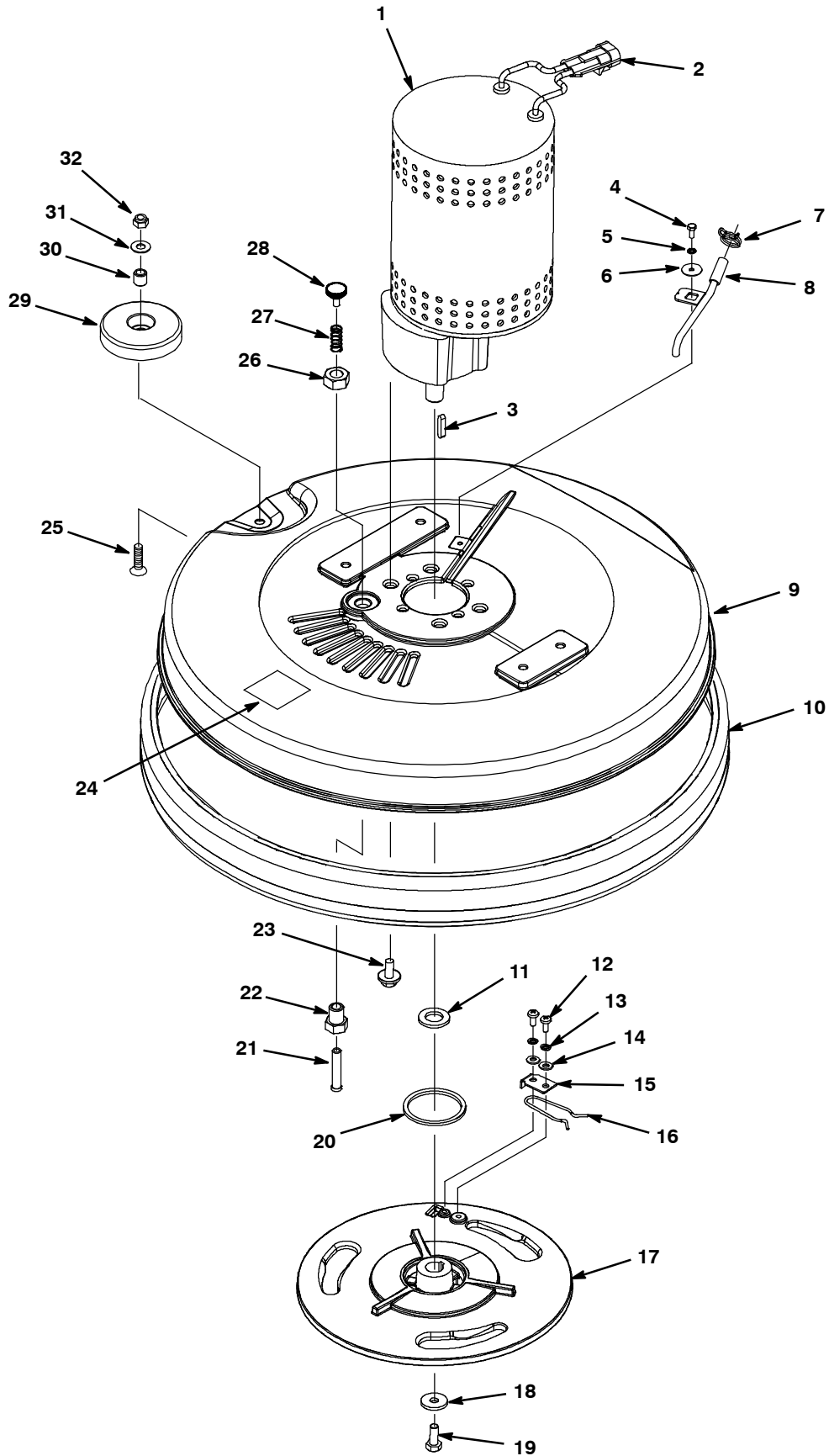
## SCRUB HEAD GROUP, 43 cm (17 in) MODEL (S/N 1000000- 10635450)

Ref.	Part No.	Serial Number	Description	Qty.
▽	1	1039494	(1000000- 10635450 ) Motor, Ele, 24vdc 0200rpm 1.00hp Gear (Replaced by Kit 1069394 - Includes Motor, Hub & Hardware)	1
▲		1045790	(1000000- 2000000 ) Brush Kit, Replmt, Carbon, 24vdc [4pc = 1kit]	1
▲	2	607798	(1000000- 2000000 ) Terminal Mal Brush Motor Leads	2
▲	2	607801	(1000000- 2000000 ) Clip, Position, Terminal [Packard]	1
	3	00930	(1000000- 10635450 ) Key, Sq, 0.25 X 0.25, 1.50l	1
	4	1020234	(1000000- 2000000 ) Screw, Hex, M4 X 0.7 X 10, Ss	1
	5	02938	(1000000- 2000000 ) Washer, Lock, Int, 08, Ss	1
	6	1009168	(1000000- 2000000 ) Washer, Flat, 0.17b 0.75d .04, Ss	1
	7	607775	(1000000- 2000000 ) Clamp, Hose, Wir, .63 - .66, Blk	1
	8	1016155	(1000000- 2000000 ) Tube Wldt, Supply, Water	1
	9	1048186	(1000000- 2000000 ) Housing, Head, 43cm [Die Cast]	1
	10	1055019	(1000000- 2000000 ) Bumper, Head, 43cm, W/ Bristle Skirt, Im	1
	11	621471	(1000000- 10635450 ) Spacer, 0.75b 1.12d 0.12l,	2
	12	09200	(1000000- 2000000 ) Screw, Pan, M5 X 0.8 X 12, Ss	2
	13	07514	(1000000- 2000000 ) Washer, Lock, Int, #10, Ss	2
	14	01683	(1000000- 2000000 ) Washer, Flat, 0.22b 0.50d .05, Ss [#10]	2
	15	1011201	(1000000- 2000000 ) Plate, Clamp, Brush	1
	16	1013188	(1000000- 2000000 ) Clip, Spring, Drive Plate Yel PI	1
	17	1054019	(1000000- 10635450 ) Hub, Drive, 3lug, Alm, 19.0b [Diecast]	1
	18	1028796	(1000000- 10635450 ) Washer, Flat, 0.33b 1.00d .18	1
	19	140015	(1000000- 10635450 ) Washer, Lock, Split, 0.31, Ss	1
	20	1035038	(1000000- 10635450 ) Screw, Hex, .31- 18 X 1.38, Ss, NI	1
	21	1016426	(1000000- 2000000 ) Ring, Water, Containment	1
	22	69225	(1000000- 10635450 ) Screw, Hex, .38- 16 X 1.00, Ss	4
	23	43953	(1000000- 10635450 ) Washer, Lock, Int, 0.38 Ss	4
	24	01686	(1000000- 10635450 ) Washer, Flat, 0.44b 1.00 .08, Ss	4
	25	1037399	(1000000- 2000000 ) Pin, Stop, 8.3mmd X 42mml	1
	26	605825	(1000000- 2000000 ) Screw, Stop, Head Pin	1
	27	578769	(1000000- 2000000 ) Label, Moving Parts	1
	28	79506	(1000000- 2000000 ) Screw, Flt, M8 X 1.25 X 30, Ss	1
	29	1010560	(1000000- 2000000 ) Wheel, Bmpr, 80d X 25w, Non- Marking	1
	30	222460	(1000000- 2000000 ) Sleeve, P/M, 0.31b 0.50d 0.5l	1
	31	140027	(1000000- 2000000 ) Washer, Flat, 0.35b 0.75d .04, Ss	1
	32	08713	(1000000- 2000000 ) Nut, Hex, Lock, M8 X 1.25, NI, Ss	1
	33	603012	(1000000- 2000000 ) Knob, Rnd, 19.0d M6 X 12, Stud, Plstc, PI	1
	34	1037400	(1000000- 2000000 ) Spring, Cmpr, .42od, .04wir, 1.0l, PI, Mw	1
	35	1037470	(1000000- 2000000 ) Nut, Hex, M14 X 2.00, Ss	1

▽ ASSEMBLY

▲ INCLUDED IN ASSEMBLY

SCRUB HEAD GROUP, 50 cm (20 in) MODEL (S/N 10636750- )



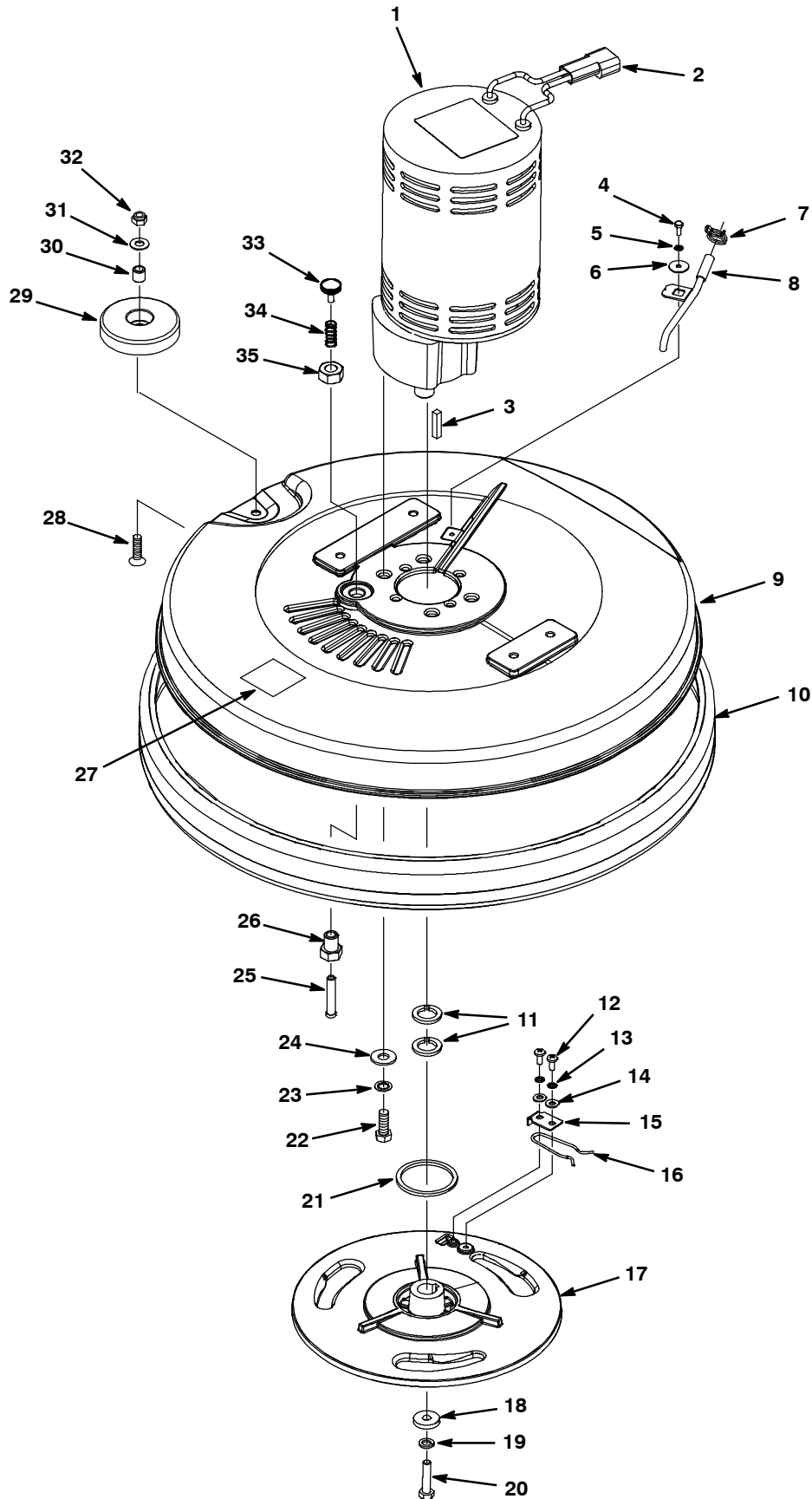
## SCRUB HEAD GROUP, 50 cm (20 in) MODEL (S/N 10636750- )

Ref.	Part No.	Serial Number	Description	Qty.
▽	1	1062544	(10636750-20000000 ) Motor, Ele, 24vdc 0200rpm 1.00hp, 17mm	1
▲		1045790	(10000000-20000000 ) Brush Kit, Replmt, Carbon 24vdc [4pc = 1kit]	1
▲	2	607798	(10000000-20000000 ) Terminal Mal Brush Motor Leads	2
▲	2	607801	(10000000-20000000 ) Clip, Position, Terminal [Packard]	1
	3	1014328	(10636750-20000000 ) Key, Sq, 05mm X 05mm, 25mml	1
	4	1020234	(10000000-20000000 ) Screw, Hex, M4 X 0.7 X 10, Ss	1
	5	02938	(10000000-20000000 ) Washer, Lock, Int, 08, Ss	1
	6	1009168	(10000000-20000000 ) Washer, Flat, 0.17b 0.75d .04, Ss	1
	7	607775	(10000000-20000000 ) Clamp, Hose, Wir, .63 - .66, Blk	1
	8	1016155	(10000000-20000000 ) Tube Wldt, Supply, Water	1
	9	1036813	(10000000-20000000 ) Housing, Head, 50cm, Die Cstg	1
	10	1055025	(10000000-20000000 ) Bumper, Head, 50cm, W/ Bristle Skirt, Im	1
	11	1022549	(10636750-20000000 ) Spacer, Shaft, 17.15b 30.0d 3.0l, Ss	1
	12	09200	(10000000-20000000 ) Screw, Pan, M5 X 0.8 X 12, Ss	2
	13	07514	(10000000-20000000 ) Washer, Lock, Int, #10, Ss	2
	14	01683	(10000000-20000000 ) Washer, Flat, 0.22b 0.50d .05, Ss [#10]	2
	15	1011201	(10000000-20000000 ) Plate, Clamp, Brush	1
	16	1013188	(10000000-20000000 ) Clip, Spring, Drive Plate Yel Pl	1
	17	1063046	(10636750-20000000 ) Hub, Drive, 3lug, Alm, 17.0b [Heavy Dp]	1
	18	1017218	(10636750-20000000 ) Washer, Flat, 0.32b 1.00d .12, Ss	1
	19	12273	(10636750-20000000 ) Screw, Hex, M8 X 1.25 X 20, NI, Ss	1
	20	1016426	(10000000-20000000 ) Ring, Water, Containment	1
	21	1037399	(10000000-20000000 ) Pin, Stop, 8.3mmd X 42mml	1
	22	605825	(10000000-20000000 ) Screw, Stop, Head Pin	1
	23	1020341	(10636750-20000000 ) Screw, Hex, M8 X 1.25 X 20, Ss, Sems	4
	24	578769	(10000000-20000000 ) Label, Moving Parts	1
	25	79506	(10000000-20000000 ) Screw, Flt, M8 X 1.25 X 30, Ss	1
	26	1037470	(10000000-20000000 ) Nut, Hex, M14 X 2.00, Ss	1
	27	1037400	(10000000-20000000 ) Spring, Cmpr, .42od, .04wir, 1.0l, Pl,Mw	1
	28	603012	(10000000-20000000 ) Knob, Rnd, 19.0d M6 X 12, Stud, Plstc,Pl	1
	29	1010560	(10000000-20000000 ) Wheel, Bmpr, 80d X 25w, Non- Marking	1
	30	222460	(10000000-20000000 ) Sleeve, P/M, 0.31b 0.50d 0.5l	1
	31	140027	(10000000-20000000 ) Washer, Flat, 0.35b 0.75d .04, Ss	1
	32	08713	(10000000-20000000 ) Nut, Hex, Lock, M8 X 1.25, NI, Ss	1

▽ ASSEMBLY

▲ INCLUDED IN ASSEMBLY

SCRUB HEAD GROUP, 50 cm (20 in) MODEL (S/N 1000000-10636749)





## SCRUB HEAD GROUP, 50 cm (20 in) MODEL (S/N 1000000- 10636749)

Ref.	Part No.	Serial Number	Description	Qty.
▽	1	1039494	(1000000- 10636749 ) Motor, Ele, 24vdc 0200rpm 1.00hp Gear (Replaced by Kit 1069394 - Includes Motor, Hub & Hardware)	1
▲		1045790	(1000000- 2000000 ) Brush Kit, Replmt, Carbon, 24vdc [4pc = 1kit]	1
▲	2	607798	(1000000- 2000000 ) Terminal Mal Brush Motor Leads	2
▲	2	607801	(1000000- 2000000 ) Clip, Position, Terminal [Packard]	1
	3	00930	(1000000- 10636749 ) Key, Sq, 0.25 X 0.25, 1.50l	1
	4	1020234	(1000000- 2000000 ) Screw, Hex, M4 X 0.7 X 10, Ss	1
	5	02938	(1000000- 2000000 ) Washer, Lock, Int, 08, Ss	1
	6	1009168	(1000000- 2000000 ) Washer, Flat, 0.17b 0.75d .04, Ss	1
	7	607775	(1000000- 2000000 ) Clamp, Hose, Wir, .63 - .66, Blk	1
	8	1016155	(1000000- 2000000 ) Tube Wldt, Supply, Water	1
	9	1036813	(1000000- 2000000 ) Housing, Head, 50cm, Die Cstg	1
	10	1055025	(1000000- 2000000 ) Bumper, Head, 50cm, W/ Bristle Skirt, Im	1
	11	621471	(1000000- 10636749 ) Spacer, 0.75b 1.12d 0.12l,	2
	12	09200	(1000000- 2000000 ) Screw, Pan, M5 X 0.8 X 12, Ss	2
	13	07514	(1000000- 2000000 ) Washer, Lock, Int, #10, Ss	2
	14	01683	(1000000- 2000000 ) Washer, Flat, 0.22b 0.50d .05, Ss [#10]	2
	15	1011201	(1000000- 2000000 ) Plate, Clamp, Brush	1
	16	1013188	(1000000- 2000000 ) Clip, Spring, Drive Plate Yel PI	1
	17	1054019	(1000000- 10636749 ) Hub, Drive, 3lug, Alm, 19.0b [Diecast]	1
	18	1028796	(1000000- 10636749 ) Washer, Flat, 0.33b 1.00d .18	1
	19	140015	(1000000- 10636749 ) Washer, Lock, Split, 0.31, Ss	1
	20	1035038	(1000000- 10636749 ) Screw, Hex, .31- 18 X 1.38, Ss, NI	1
	21	1016426	(1000000- 2000000 ) Ring, Water, Containment	1
	22	69225	(1000000- 10636749 ) Screw, Hex, .38- 16 X 1.00, Ss	4
	23	43953	(1000000- 10636749 ) Washer, Lock, Int, 0.38 Ss	4
	24	01686	(1000000- 10636749 ) Washer, Flat, 0.44b 1.00 .08, Ss	4
	25	1037399	(1000000- 2000000 ) Pin, Stop, 8.3mmd X 42mml	1
	26	605825	(1000000- 2000000 ) Screw, Stop, Head Pin	1
	27	578769	(1000000- 2000000 ) Label, Moving Parts	1
	28	79506	(1000000- 2000000 ) Screw, Flt, M8 X 1.25 X 30, Ss	1
	29	1010560	(1000000- 2000000 ) Wheel, Bmpr, 80d X 25w, Non- Marking	1
	30	222460	(1000000- 2000000 ) Sleeve, P/M, 0.31b 0.50d 0.5l	1
	31	140027	(1000000- 2000000 ) Washer, Flat, 0.35b 0.75d .04, Ss	1
	32	08713	(1000000- 2000000 ) Nut, Hex, Lock, M8 X 1.25, NI, Ss	1
	33	603012	(1000000- 2000000 ) Knob, Rnd, 19.0d M6 X 12, Stud, Plstc, PI	1
	34	1037400	(1000000- 2000000 ) Spring, Cmpr, .42od, .04wir, 1.0l, PI, Mw	1
	35	1037470	(1000000- 2000000 ) Nut, Hex, M14 X 2.00, Ss	1

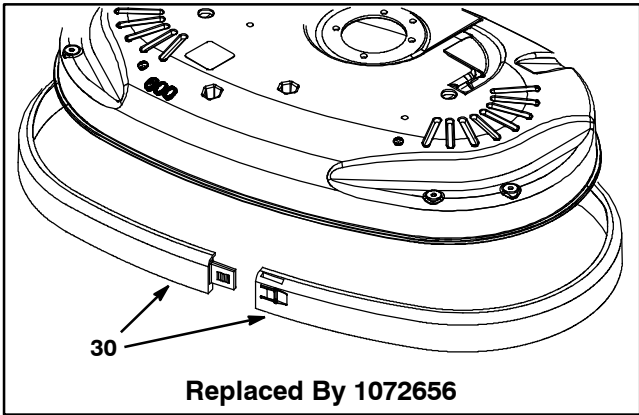
▽ ASSEMBLY

▲ INCLUDED IN ASSEMBLY

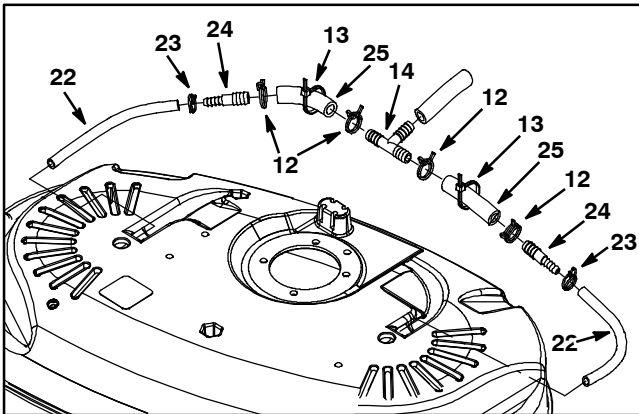
# STANDARD PARTS

## SCRUB HEAD GROUP, DUAL DISK, 60 cm (24 in) MODEL

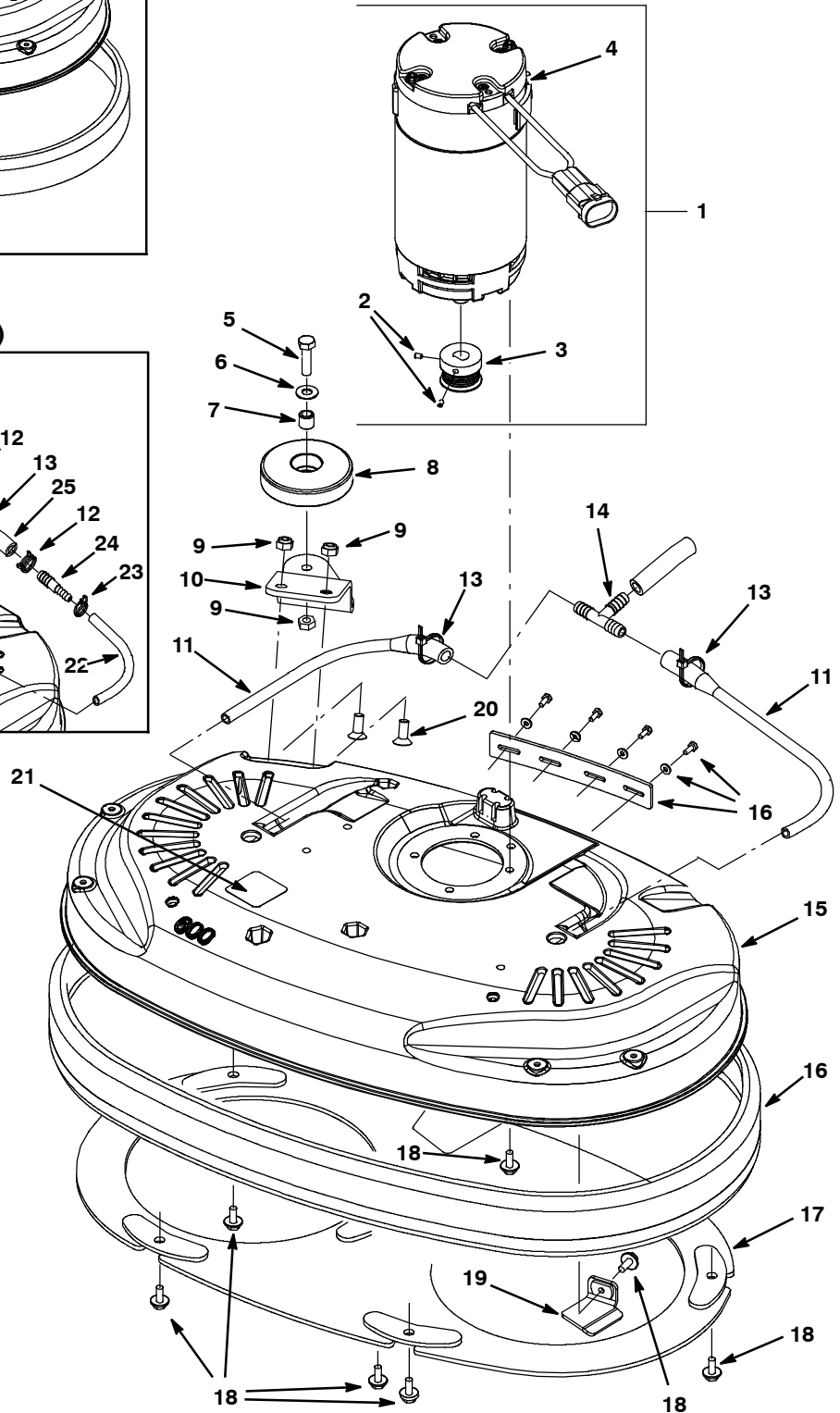
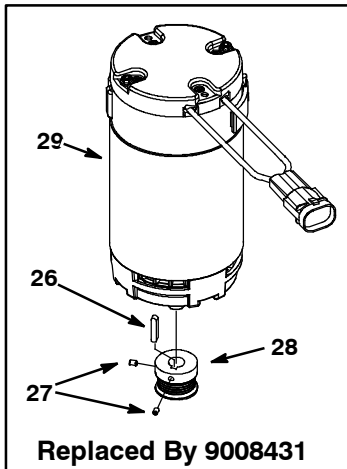
(S/N 1000000-xxxxxxx)



(S/N 1000000-xxxxxxx)



(S/N 1000000-10538205)



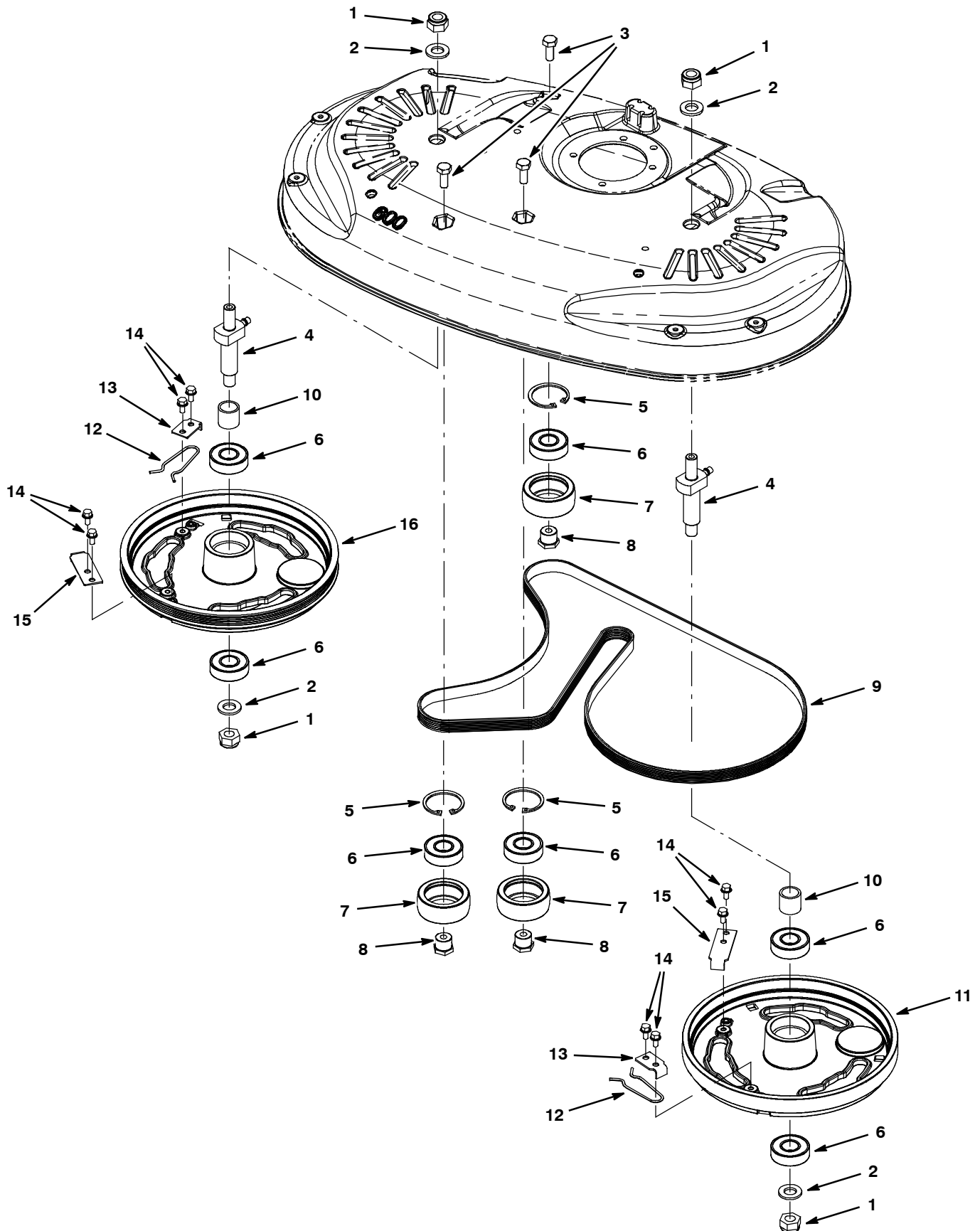
## SCRUB HEAD GROUP, DUAL DISK, 60 cm (24 in) MODEL

Ref.	Part No.	Serial Number	Description	Qty.
▽	1	9008431	(10538206- 20000000 ) Kit, Motor, 24vdc, 7/8hp [Us] w/sheave	1
▲	2	1013995	(10000000- 20000000 ) Screw, Set, M5 X 0.80 X 8, Ss [Cuppt]	2
▲	3	1059058	(10538206- 20000000 ) Sheave, 06grv, 1.25pd 0.55b, Ss [D Shaft]	1
▲▽	4	1064902	(10538206- 20000000 ) Motor, 24vdc, 2000rpm, 7/8hp [Us]	1
▲		1059370	(10000000- 20000000 ) Brush, Motor, Replmt [Bag Of 4]	1
	5	09011	(10000000- 20000000 ) Screw, Hex, M8 X 1.25 X 30, Ss	1
	6	140027	(10000000- 20000000 ) Washer, Flat, 0.35b 0.75d .04, Ss	1
	7	222460	(10000000- 20000000 ) Sleeve, P/M, 0.32b 0.50d 0.5l [430ss]	1
	8	1010560	(10000000- 20000000 ) Wheel, Bmpr, 80d X 25w, Non- Marking	1
	9	08713	(10000000- 20000000 ) Nut, Hex, Lock, M8 X 1.25, NI, Ss	3
	10	1055815	(10000000- 20000000 ) Bracket, Wall- Roller, Scb Head [T3]	1
	11	1062937	(10000000- 20000000 ) Tube, Soltn, 245.0mml [T3 Dual Disks]	2
	12	607775	(10000000- xxxxxxxx ) Clamp, Hose, Wir, .63 - .66, Blk	4
	13	130773	(10000000- 20000000 ) Tie, Cable, Nyl, 11.0l, .14w, 3.0 Max. D	2
	14	160310	(10000000- 20000000 ) Fitting, Plstc, Tee, Bm06/Bm06/Bm06	1
	15	1059697	(10000000- 20000000 ) Housing, Casting, Head [T3 60cm] Mach	1
	16	1072656	(xxxxxxx- 20000000 ) Bumper, Head, 60cm, Bristle Skirt (Includes Mounting Hardware & Retaining Strap)	1
	17	1058573	(10000000- 20000000 ) Bracket, Gaurd, Splash [T3 60cm]	1
	18	1034731	(10000000- 20000000 ) Screw, Hex, M6 X 1.00 X 16, Ss, Sems	10
	19	1058380	(10000000- 20000000 ) Bracket, Guide, Belt [T3 60cm]	1
	20	79246	(10000000- 20000000 ) Screw, Flt, Soc, M8 X 1.25 X 20, 18- 8,Ss	2
	21	578769	(10000000- 20000000 ) Label, Parts, Moving [Textless]	1
	22	1006415	(10000000- xxxxxxxx ) Hose, Afmkt, Pvc, Clr, 0.25id, 03ft (Replaced By Item #11)	2
	23	994160	(10000000- xxxxxxxx ) Clamp 2- Wire 9,8- 10,4mm	2
	24	1039557	(10000000- xxxxxxxx ) Fitting, Plstc, Str, Bm04/Bm06	2
	25	613451	(10000000- xxxxxxxx ) Hose, Pyu, Clr, 0.38id 0.62od 012.0l (Replaced By Item #11)	2
	26	1014328	(10000000- 10538205 ) Key, Sq, 05mm X 05mm, 25mml	1
	27	1013995	(10000000- 20000000 ) Screw, Set, M5 X 0.80 X 8, Ss [Cuppt]	2
	28	1057422	(10000000- 10538205 ) Sheave, 06grv, 1.25pd 0.55b, Ss [J6]	1
▽	29	1058602	(10000000- 10538205 ) Motor, 24vdc, 2000rpm, [Us] (Replaced By 9008431 - Includes Motor, Sheave and Set Screws)	1
▲		1059370	(10000000- 20000000 ) Brush, Motor, Replmt [Bag Of 4]	1
	30	1053609	(10000000- xxxxxxxx ) Bumper, Skirt, Scb Head, 60cm (Replaced By 1072656 - Includes Mounting Hardware & Retaining Strap)	1

▽ ASSEMBLY

▲ INCLUDED IN ASSEMBLY

SCRUB HEAD GROUP, DUAL DISK, 60 cm (24 in) MODEL - CONT'D



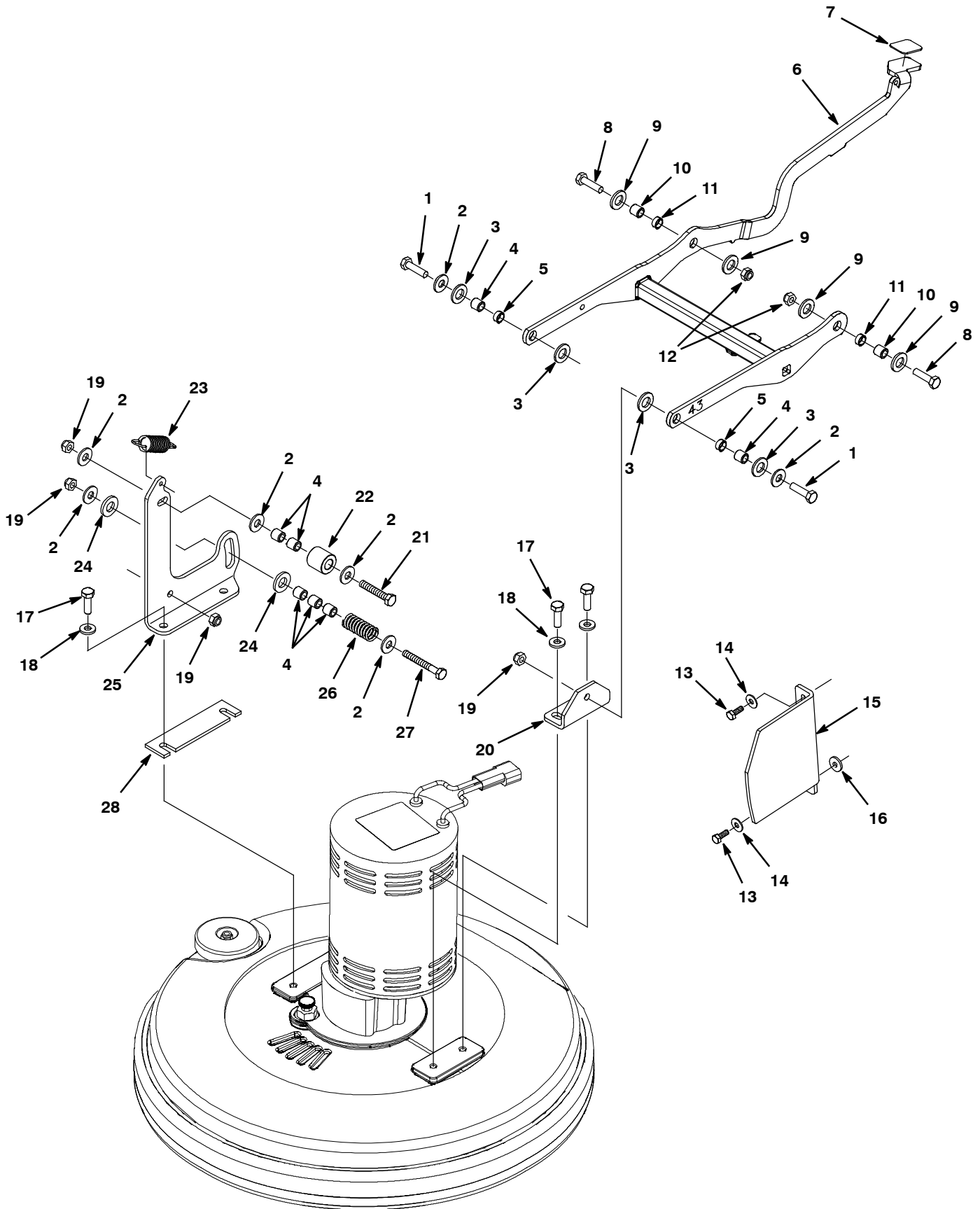
## SCRUB HEAD GROUP, DUAL DISK, 60 cm (24 in) MODEL - CONT'D

Ref.	Part No.	Serial Number	Description	Qty.
1	09741	(10000000-20000000)	Nut, Hex, Lock, M12 X 1.75, NI, Ss	4
2	33925	(10000000-20000000)	Washer, Flat, M12, Ss	4
3	12273	(10000000-20000000)	Screw, Hex, M8 X 1.25 X 20, NI, Ss	3
4	1058800	(10000000-20000000)	Shaft Wldt, Mtg, Pulley	2
5	1013884	(10000000-20000000)	Ring, Retaining, Int, 40mm, Ss	3
6	140123	(10000000-20000000)	Bearing, Ball, 0.67b 1.57d 0.47w [6203]	7
7	1058514	(10000000-20000000)	Pulley, Idler, 55d X 21w[60cm Dual Disk]	3
8	1011008	(10000000-20000000)	Spacer, Brg, Idler	3
9	1055305	(10000000-20000000)	Belt, Drive, 6pj, Ej139 [T3]	1
10	1011041	(10000000-20000000)	Tube, 0.69id 0.87od 00.8l, Stl, PI	2
11	1059205	(10000000-20000000)	Hub, Drive, 3lug, Alm, 2disk, Flt	1
12	1013188	(10000000-20000000)	Clip, Spring, Drive Plate [T3], Clr Zn	2
13	1013592	(10000000-20000000)	Stop, Driver, Release	2
14	223198	(10000000-20000000)	Screw, Hex, M5 X 0.80 X 10, Fmg	8
15	1011201	(10000000-20000000)	Plate, Clamp, Brush	2
16	1059206	(10000000-20000000)	Hub, Drive, 3lug, Alm, 2disk, 6grv	1

▽ ASSEMBLY

▲ INCLUDED IN ASSEMBLY

SCRUB HEAD LIFT GROUP, 43 cm (17 in) MODEL



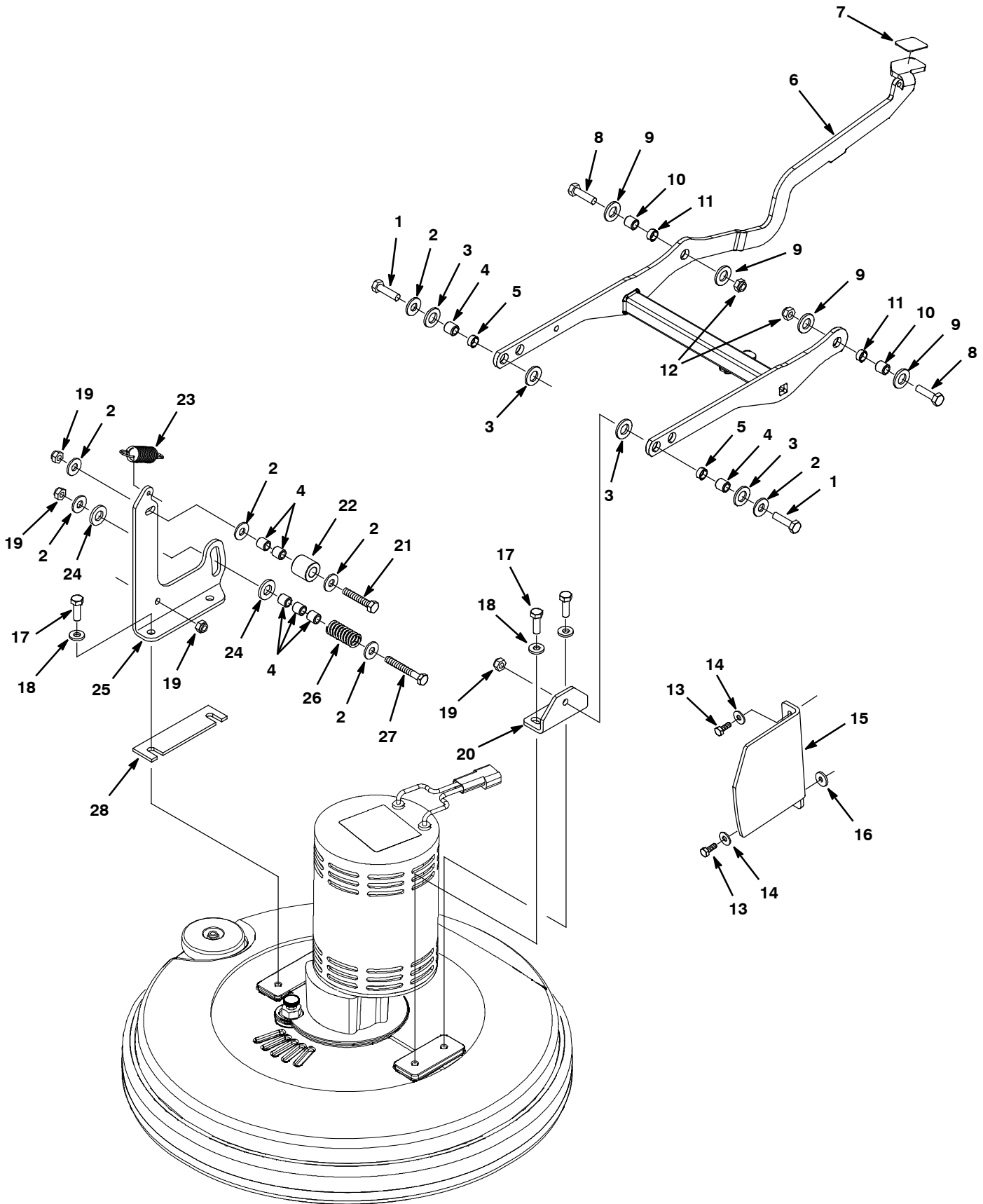
## SCRUB HEAD LIFT GROUP, 43 cm (17 in) MODEL

Ref.	Part No.	Serial Number	Description	Qty.
1	09011	(10000000- 20000000 )	Screw, Hex, M8 X 1.25 X 30, Ss	2
2	01685	(10000000- 20000000 )	Washer, Flat, 0.38b 0.88d .08, Ss	7
3	1013936	(10000000- 20000000 )	Washer, Flat, 0.51b 0.94d .10, Nyl	4
4	222460	(10000000- 20000000 )	Sleeve, P/M, 0.31b 0.50d 0.5l	7
5	630188	(10000000- 20000000 )	Bearing, Journal, .50id X .25l	2
▽	6	1061708	(10000000- 20000000 ) Kit, Lift Assy, Head, Sgl Disk,43cm [T3]	1
▲	7	1014283	(10000000- 20000000 ) Pad, Adh, Non- Slip, 28mm X 36mm, Blk	1
▲	8	09011	(10000000- 20000000 ) Screw, Hex, M8 X 1.25 X 30, Ss	2
▲	9	1013936	(10000000- 20000000 ) Washer, Flat, 0.51b 0.94d .10, Nyl	4
▲	10	222460	(10000000- 20000000 ) Sleeve, P/M, 0.31b 0.50d 0.5l	2
▲	11	630188	(10000000- 20000000 ) Bearing, Journal, .50id X .25l	2
▲	12	08713	(10000000- 20000000 ) Nut, Hex, Lock, M8 X 1.25, NI, Ss	2
	13	11329	(10000000- 20000000 ) Screw, Hex, M6 X 1.0 X 16, Ss, NI	2
	14	01684	(10000000- 20000000 ) Washer, Flat, 0.25 Ss	1
	15	1015460	(10000000- 20000000 ) Bracket, Guide, Head, [43cm]	1
	16	1028796	(10000000- 20000000 ) Washer, Flat, 0.33b 1.00d .18, Stl, Pl	1
	17	12333	(10000000- 20000000 ) Screw, Hex, M8 X 1.25 X 25, Ss, NI	4
	18	69461	(10000000- 20000000 ) Washer, Flat, 0.38b 0.88d .12, Stl, Pl	4
	19	08713	(10000000- 20000000 ) Nut, Hex, Lock, M8 X 1.25, NI, Ss	4
	20	1015470	(10000000- 20000000 ) Bracket, Mtg, Head	1
	21	222505	(10000000- 20000000 ) Screw, Hex, M8 X 1.25 X 45, Ss	1
	22	1014020	(10000000- 20000000 ) Roller, Lift, Dual Disk Head	1
	23	1032420	(10000000- 20000000 ) Spring, Extn, 0.85od 0.09wir 02.9l (43cm Model)	1
	24	140127	(10000000- 20000000 ) Bearing, Thrust,0.51b X 1.0 X .12, Brz	2
	25	1012323	(10000000- 20000000 ) Bracket, Mtg, Head, Rh	1
	26	140430	(10000000- 20000000 ) Spring, Cmpr, .72od X 1.69 L	1
	27	1014163	(10000000- 20000000 ) Screw, Hex, M8 X 1.25 X 60, Fl, Ss	1
	28	1032791	(10000000- 20000000 ) Spacer, Head, 4mm (Brush Assist Model)	1
	N/S	130773	(10000000- 20000000 ) Tie, Cable, Nyl, 11.0l, .14w, 3.0 Max. D	1

▽ ASSEMBLY

▲ INCLUDED IN ASSEMBLY

SCRUB HEAD LIFT GROUP, 50 cm (20 in) MODEL





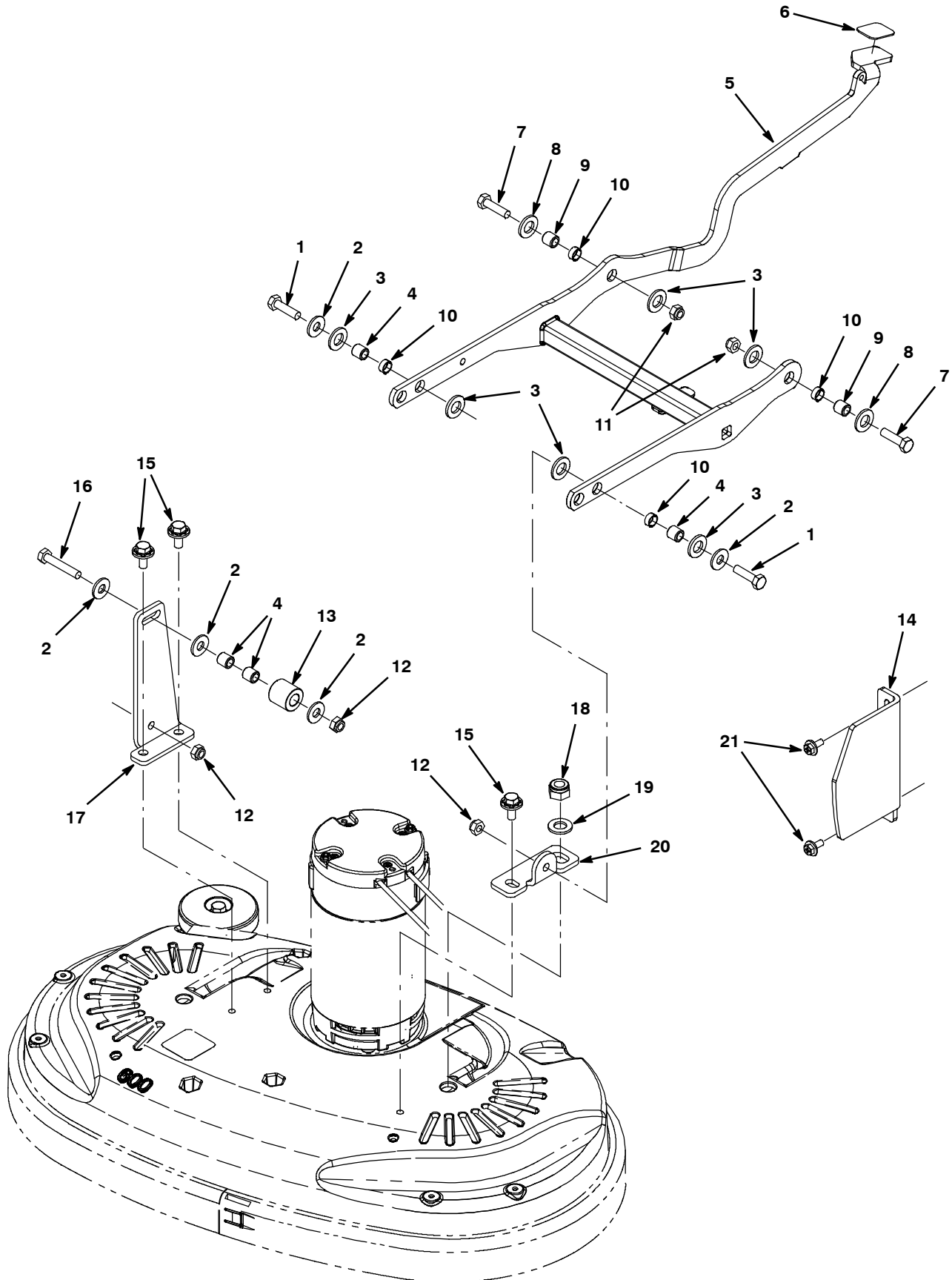
## SCRUB HEAD LIFT GROUP, 50 cm (20 in) MODEL

Ref.	Part No.	Serial Number	Description	Qty.
1	09011	(10000000-20000000)	Screw, Hex, M8 X 1.25 X 30, Ss	2
2	01685	(10000000-20000000)	Washer, Flat, 0.38b 0.88d .08, Ss	7
3	1013936	(10000000-20000000)	Washer, Flat, 0.51b 0.94d .10, Nyl	4
4	222460	(10000000-20000000)	Sleeve, P/M, 0.31b 0.50d 0.5l	7
5	630188	(10000000-20000000)	Bearing, Journal, .50id X .25l	2
▽	6	1061720	(10000000-20000000) Kit, Lift Assy, Head, Disk,50/60[T3 N/A]	1
▲	7	1014283	(10000000-20000000) Pad, Adh, Non-Slip, 28mm X 36mm, Blk	1
▲	8	09011	(10000000-20000000) Screw, Hex, M8 X 1.25 X 30, Ss	2
▲	9	1013936	(10000000-20000000) Washer, Flat, 0.51b 0.94d .10, Nyl	4
▲	10	222460	(10000000-20000000) Sleeve, P/M, 0.31b 0.50d 0.5l	2
▲	11	630188	(10000000-20000000) Bearing, Journal, .50id X .25l	2
▲	12	08713	(10000000-20000000) Nut, Hex, Lock, M8 X 1.25, NI, Ss	2
	13	11329	(10000000-20000000) Screw, Hex, M6 X 1.0 X 16, Ss, NI	2
	14	01684	(10000000-20000000) Washer, Flat, 0.25 Ss	1
	15	1012484	(10000000-20000000) Bracket, Guide, Head, [50cm]	1
	16	1028796	(10000000-20000000) Washer, Flat, 0.33b 1.00d .18, Stl, PI	1
	17	12333	(10000000-20000000) Screw, Hex, M8 X 1.25 X 25, Ss, NI	4
	18	69461	(10000000-20000000) Washer, Flat, 0.38b 0.88d .12, Stl, PI	4
	19	08713	(10000000-20000000) Nut, Hex, Lock, M8 X 1.25, NI, Ss	4
	20	1015470	(10000000-20000000) Bracket, Mtg, Head	1
	21	222505	(10000000-20000000) Screw, Hex, M8 X 1.25 X 45, Ss	1
	22	1014020	(10000000-20000000) Roller, Lift, Dual Disk Head	1
	23	1031776	(10000000-20000000) Spring, Extn, 0.75od 0.09wir 03.2l (50cm Model)	1
	24	140127	(10000000-20000000) Bearing, Thrust,0.51b X 1.0 X .12, Brz	2
	25	1012323	(10000000-20000000) Bracket, Mtg, Head, Rh	1
	26	140430	(10000000-20000000) Spring, Cmpr, .72od X 1.69 L	1
	27	1014163	(10000000-20000000) Screw, Hex, M8 X 1.25 X 60, Fl, Ss	1
	28	1032791	(10000000-20000000) Spacer, Head, 4mm (Brush Assist Model)	1
	N/S	130773	(10000000-20000000) Tie, Cable, Nyl, 11.0l, .14w, 3.0 Max. D	1

▽ ASSEMBLY

▲ INCLUDED IN ASSEMBLY

SCRUB HEAD LIFT GROUP, DUAL DISK 60 cm (24 in) MODEL



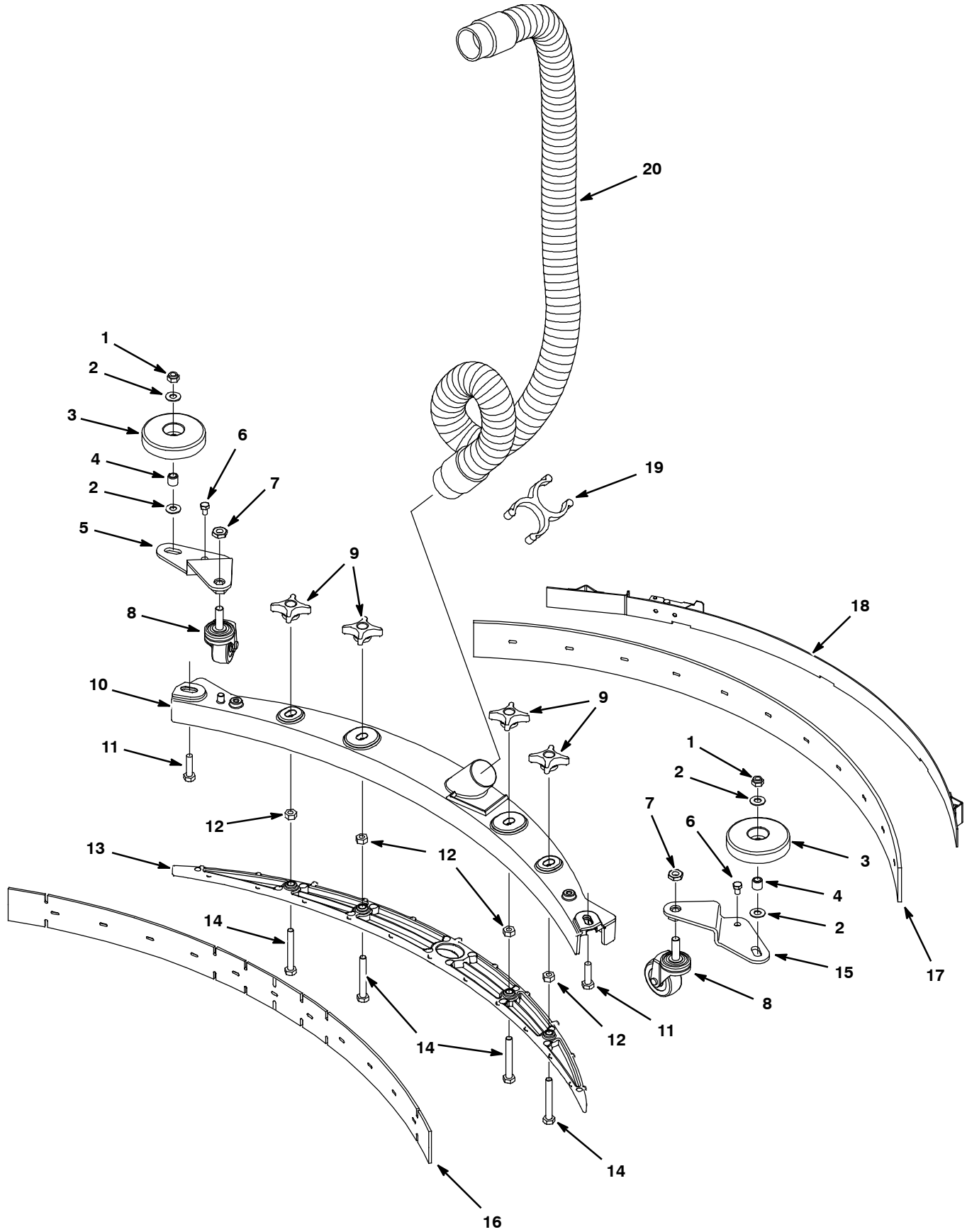
## SCRUB HEAD LIFT GROUP, DUAL DISK 60 cm (24 in) MODEL

Ref.	Part No.	Serial Number	Description	Qty.
1	09011	(10000000- 20000000 )	Screw, Hex, M8 X 1.25 X 30, Ss	2
2	01685	(10000000- 20000000 )	Washer, Flat, 0.38b 0.88d .08, Ss	5
3	1013936	(10000000- 20000000 )	Washer, Flat, 0.51b 0.94d .10, Nyl	4
4	222460	(10000000- 20000000 )	Sleeve, P/M, 0.31b 0.50d 0.5l	4
▽	5	1061720	(10000000- 20000000 ) Kit, Lift Assy, Head, Disk,50/60[T3 N/A]	1
▲	6	1014283	(10000000- 20000000 ) Pad, Adh, 28mm X 36mm, Blk [Non- Slip]	1
▲	7	09011	(10000000- 20000000 ) Screw, Hex, M8 X 1.25 X 30, Ss	2
▲	8	1013936	(10000000- 20000000 ) Washer, Flat, 0.51b 0.94d .10, Nyl	4
▲	9	222460	(10000000- 20000000 ) Sleeve, P/M, 0.31b 0.50d 0.5l [430ss]	2
▲	10	630188	(10000000- 20000000 ) Bearing, Journal, .50id X .25l	4
▲	11	08713	(10000000- 20000000 ) Nut, Hex, Lock, M8 X 1.25, NI, Ss	2
	12	08713	(10000000- 20000000 ) Nut, Hex, Lock, M8 X 1.25, NI, Ss	3
	13	1014020	(10000000- 20000000 ) Roller, Lift, Dual Disk Head	1
	14	1055999	(10000000- 20000000 ) Bracket, Guide, Head, 60cm Dd [T3]	1
	15	1020341	(10000000- 20000000 ) Screw, Hex, M8 X 1.25 X 20, Ss, Sems Sq	3
	16	222505	(10000000- 20000000 ) Screw, Hex, M8 X 1.25 X 45, Ss	1
	17	1011432	(10000000- 20000000 ) Bracket, Mtg, Head, Rh	1
	18	09741	(10000000- 20000000 ) Nut, Hex, Lock, M12 X 1.75, NI, Ss	1
	19	33925	(10000000- 20000000 ) Washer, Flat, M12, Ss	1
	20	1054760	(10000000- 20000000 ) Bracket, Mtg, Head [T3 60cm Dd]	1
	21	1034731	(10000000- 20000000 ) Screw, Hex, M6 X 1.00 X 16, Ss, Sems	2

▽ ASSEMBLY

▲ INCLUDED IN ASSEMBLY

SQUEEGEE GROUP, 500 mm



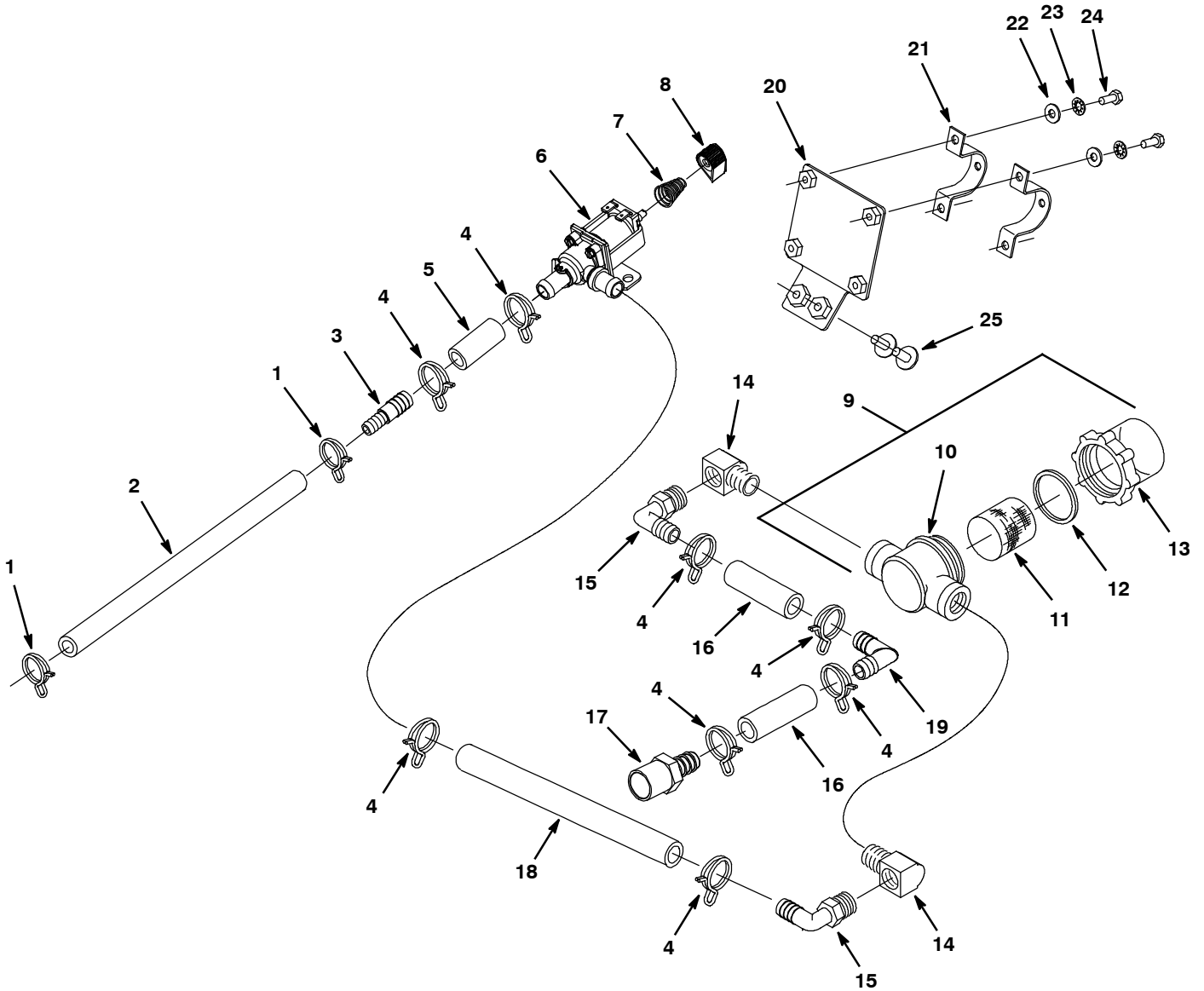
## SQUEEGEE GROUP, 500 mm

Ref.	Part No.	Serial Number	Description	Qty.
▽	9001178	(10000000-20000000)	Squeegee Assy Kit, 500mm, Ci	1
▲	1 08713	(10000000-20000000)	Nut, Hex, Lock, M8 X 1.25, NI, Ss	2
▲	2 140027	(10000000-20000000)	Washer, Flat, 0.35b 0.75d .04, Ss	4
▲	3 1010560	(10000000-20000000)	Wheel, Bmpr, 80d X 25w, Non- Marking	2
▲	4 222460	(10000000-20000000)	Sleeve, P/M, 0.31b 0.50d 0.5l	2
▲	5 1011228	(10000000-20000000)	Plate, Mtg, Caster, Sqge, Rh	1
▲	6 74455	(10000000-20000000)	Screw, Hex, M6 X 1.0 X 12, Fmg	2
▲	7 32716	(10000000-20000000)	Nut, Hex, Jam, M10 X 1.5, Ss	2
▲	8 1006343	(10000000-20000000)	Caster, Swivel, 50mmd, M10 X 30 Stem, PI	2
▲	9 1010558	(10000000-20000000)	Knob, Star, 2.00d 4ear .73l M8x1.25 Thru	4
▲	10 1011163	(10000000-20000000)	Frame, Sqge, 74cm [50cm] Die Cast	1
▲	11 09011	(10000000-20000000)	Screw, Hex, M8 X 1.25 X 30, Ss	2
▲	12 07786	(10000000-20000000)	Nut, Hex, Std, M8 X 1.25, Ss	4
▲	13 1019919	(10000000-20000000)	Retainer, Sqge, 76cm [50cm] Nyl, Blk	1
▲	14 1014163	(10000000-20000000)	Screw, Hex, M8 X 1.25 X 60, Fl, Ss	4
▲	15 1011956	(10000000-20000000)	Plate, Mtg, Caster, Sqge, Lh	1
▲	16 1011232	(10000000-20000000)	Blade, Sqge, Front, 500mml Linatex (Linatex Red Standard)	1
	16 1014091	(10000000-20000000)	Blade, Sqge, Front, 500mml, Gum (Gum Rubber Tan Optional)	1
	16 1014092	(10000000-20000000)	Blade, Sqge, Front, 500mml, Oil- Rstn (Polyurethane Natural Optional)	1
▲	17 1011456	(10000000-20000000)	Blade, Sqge, Rear, 32.7l, Linatex[500mm] (Linatex Red Standard)	1
	17 1014093	(10000000-20000000)	Blade, Sqge, Rear, 32.7l, Gum [500mm] (Gum Rubber Tan Optional)	1
	17 1014094	(10000000-20000000)	Blade, Sqge, Rear, 32.7l, Oil- Rstn[500mm] (Polyurethane Natural Optional)	1
▲	18 1013933	(10000000-20000000)	Strap Assy, Sqge, 500mm	1
	19 1014079	(10000000-20000000)	Clip, Hose, Gripper, 1.50id, Dbl, Blk Pp	1
	20 1014026	(10000000-20000000)	Hose, Vacuum, 1.5d X 57l, 2- Short Cuffs	1

▽ ASSEMBLY

▲ INCLUDED IN ASSEMBLY

SOLUTION GROUP, STANDARD MODEL



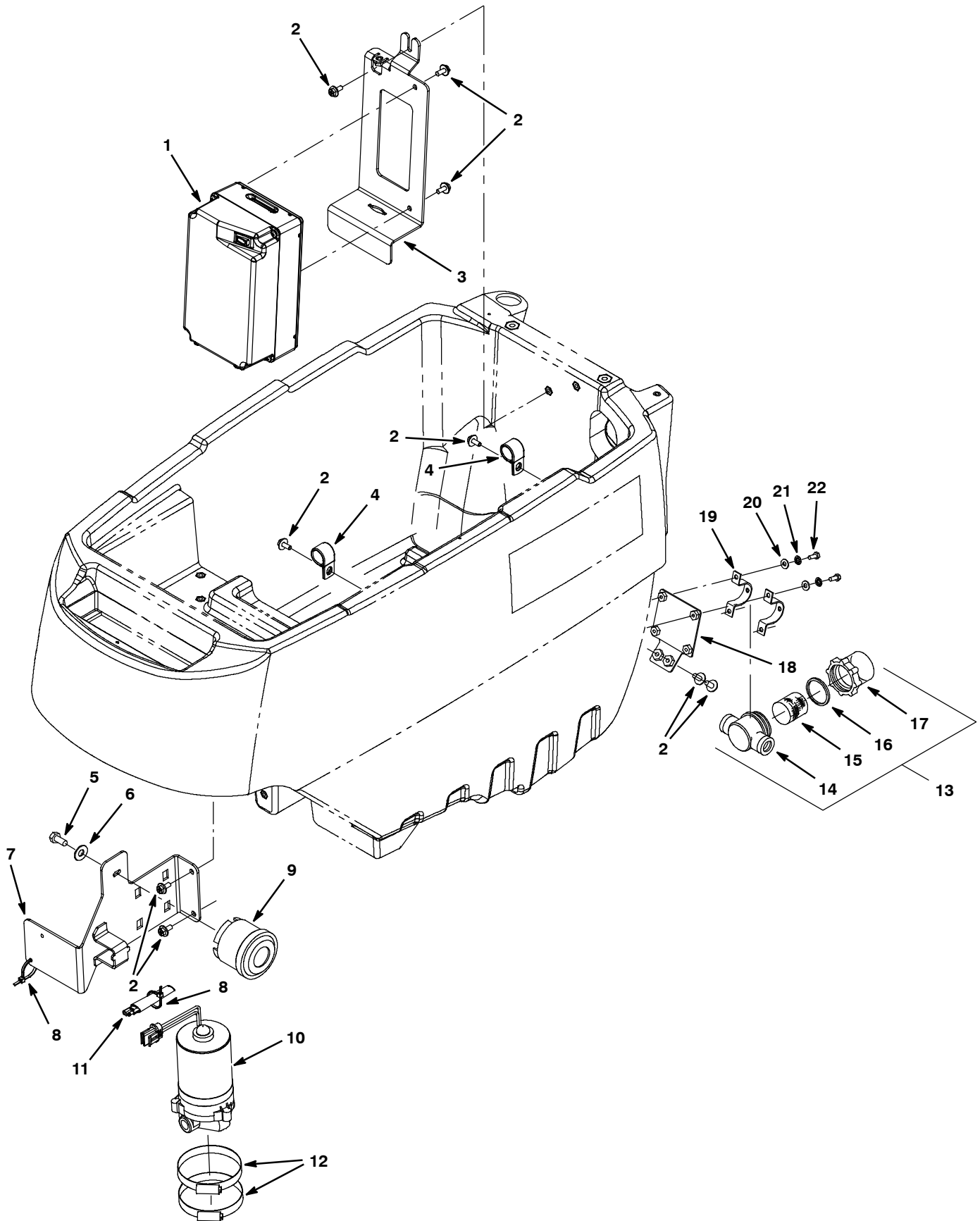
## SOLUTION GROUP, STANDARD MODEL

Ref.	Part No.	Serial Number	Description	Qty.	
1	607775	(10000000-20000000)	Clamp, Hose, Wir, .63 - .66, Blk	2	
2	606318	(10000000-20000000)	Hose, PVC, Brd, 0.38id 0.60od 036.5l, Clr	1	
3	612774	(10000000-20000000)	Fitting, Plstc, Str, Bm06/Bm08	1	
4	607776	(10000000-20000000)	Clamp, Hose, Wir, .73 - .77, Silver	8	
5	606225	(10000000-20000000)	Hose 1/2id X 1.79"	1	
▽	6	1062385	(10000000-20000000)	Valve, Water, Solenoid, 24vdc Bm10/Bm10	1
▲	614265	(10000000-20000000)	Valve Kit, Water [Viton Diaphragm]	1	
7	1017091	(10000000-20000000)	Spring, Cmpr, .48d, .036w, .75l	1	
8	1013442	(10000000-20000000)	Knob, Valve, Indicator, Blk	1	
▽	9	1005302	(10000000-20000000)	Filter, In- Line, Pf06/Pf06, 80 Mesh	1
▲	10	613993	(10000000-20000000)	Housing, Top, F/1005302	1
▲	11	1005304	(10000000-20000000)	Screen, Fltr, 80 Mesh	1
▲	12	613992	(10000000-20000000)	Gasket [Viton, F/1005302]	1
▲	13	613991	(10000000-20000000)	Bowl, Clr, Short, F/1005302	1
14	150420	(10000000-20000000)	Fitting, Brs, E90, Pf06/Pm06 [Taped]	2	
15	1017532	(10000000-20000000)	Fitting, Plstc, E90, Bm08/Pm06	2	
16	140957	(10000000-20000000)	Hose, Pvc, Clr, 0.50id 0.75od 002.5l	2	
17	1023581	(10000000-20000000)	Fitting, Plstc, Str, Bm08/Pm08, Nyl	1	
18	613517	(10000000-20000000)	Tube, 0.50id X 0.75od Vyl 0.46ft[611259]	1	
19	63987-1	(10000000-20000000)	Fitting, Plstc, E90, Bm08/Bm08	1	
20	1029533	(10000000-20000000)	Bracket, Mtg, Fltr	1	
21	605056	(10000000-20000000)	Bracket, Mtg, Fltr	2	
22	01683	(10000000-20000000)	Washer, Flat, #10, Ss	4	
23	07514	(10000000-20000000)	Washer, Lock, Int, #10, Ss	4	
24	09738	(10000000-20000000)	Screw, Hex, M5 X 0.8 X 12, Ss	4	
25	1034731	(10000000-20000000)	Screw, Hex, M6 X 1.00 X 16, Ss, Sems	2	

▽ ASSEMBLY

▲ INCLUDED IN ASSEMBLY

SOLUTION GROUP, ec-H2O MODEL





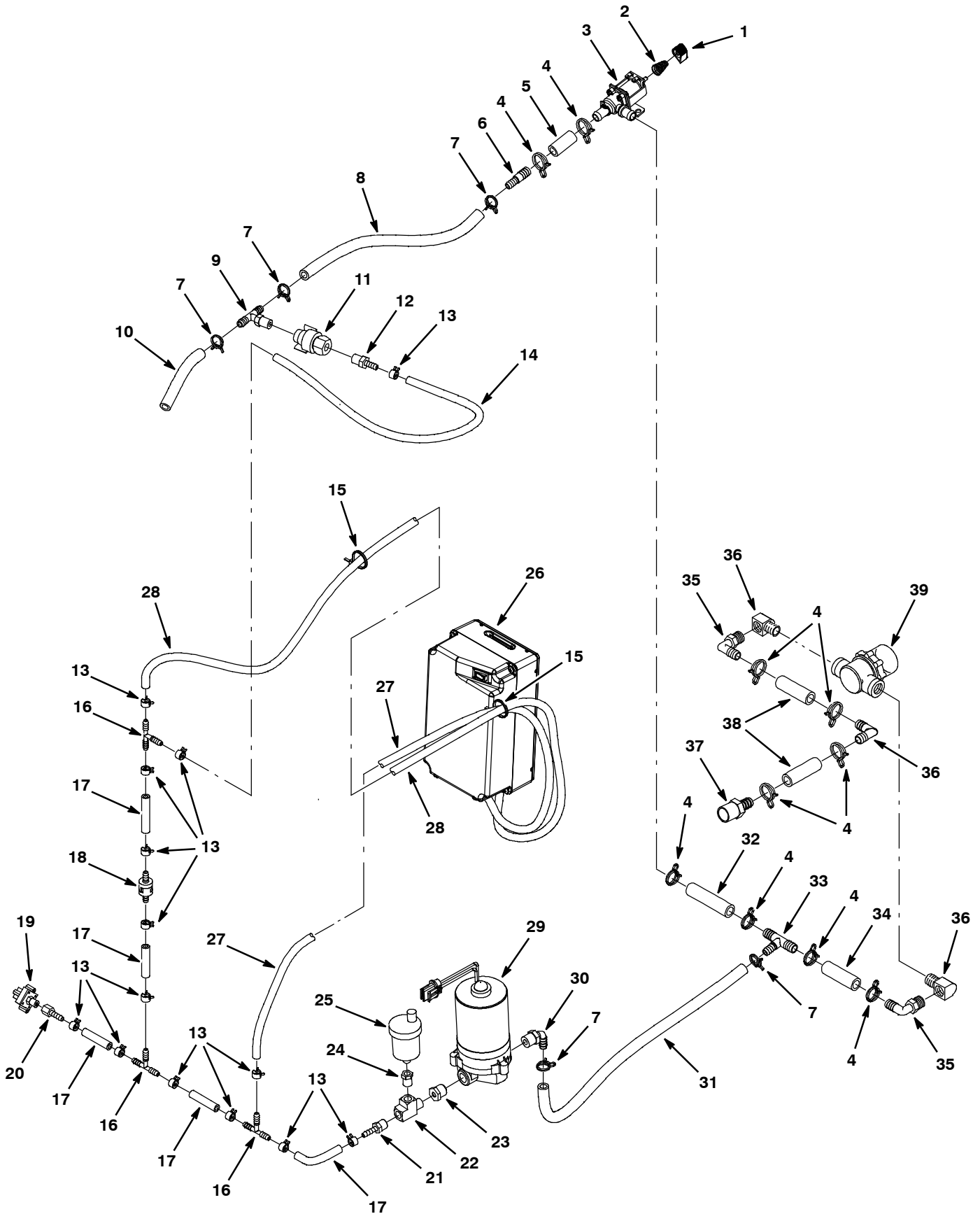
## SOLUTION GROUP, ec-H2O MODEL

Ref.	Part No.	Serial Number	Description	Qty.	
1	9007970	(10419449- 20000000 )	Module Kit, Replmt [Ec- H2o] (See Breakdown)	1	
2	1034731	(10000000- 20000000 )	Screw, Hex, M6 X 1.00 X 16, Ss, Sems	9	
3	1045961	(10000000- 20000000 )	Bracket, Mtg, Chrgr [Ss3/T3e Ec- H2o]	1	
4	140314	(10000000- 20000000 )	Clamp, Cable, Stl, 0.75d X 0.75w, 1hole	2	
5	11635	(10000000- 20000000 )	Screw, Hex, M6 X 1.00 X 12, NI, Ss	1	
6	01684	(10000000- 20000000 )	Washer, Flat, 0.27b 0.69d .05, Ss	1	
7	1037242	(10000000- 20000000 )	Bracket Wldt, Mtg, Pump [Fast li+]	1	
8	130773	(10000000- 20000000 )	Tie, Cable, Nyl, 11.0l, .14w, 3.0 Max. D	2	
9	1018505	(10460662- 20000000 )	Horn, 12- 48vdc [88.5 Decibels]	1	
9	392937	(10000000- 10460661 )	Horn, 12- 48vdc [94 Decibels]	1	
▽	10	1042495	(10000000- 20000000 )	Pump, Soltn, Ele, 24vdc, 35psi	1
▲		9004759	(10000000- 20000000 )	Pump Kit, Head, Soltn [Ec- H2o]	1
▲		78950	(10000000- 20000000 )	Connector, Fem, 2cav, Mp280 Sealed	1
▲		78951	(10000000- 20000000 )	Terminal, Fem, Mp280, Sealed, 18- 16ga	1
▲		10917	(10000000- 20000000 )	Seal, Wire, 14/16ga [Wp / Mp280 Sealed]	1
▲		78952	(10000000- 20000000 )	Lock, Secondary, 2cav, Mp280 Sealed	1
	11	1040868	(10000000- 20000000 )	Capacitor, Plug [.01 Uf, 200v]	1
	12	43555	(10000000- 20000000 )	Clamp, Hose, Wormdrive, 2.50- 3.50d, .50w	3
▽	13	1005302	(10000000- 20000000 )	Filter, In- Line, Pf06/Pf06 080mesh 02.6l	1
▲	14	613993	(10000000- 20000000 )	Housing, Top, F/1005302	1
▲	15	1005304	(10000000- 20000000 )	Screen, Fltr, 80 Mesh, Ss	1
▲	16	613992	(10000000- 20000000 )	Gasket [Viton, F/1005302]	1
▲	17	613991	(10000000- 20000000 )	Bowl, Clr, Short, F/1005302	1
	18	1029533	(10000000- 20000000 )	Bracket, Mtg, Fltr	1
	19	605056	(10000000- 20000000 )	Bracket, Mtg, Fltr	2
	20	01683	(10000000- 20000000 )	Washer, Flat, 10, Ss	4
	21	07514	(10000000- 20000000 )	Washer, Lock, Int, 10, Ss	4
	22	09738	(10000000- 20000000 )	Screw, Hex, M5 X 0.80 X 12, Ss	4

▽ ASSEMBLY

▲ INCLUDED IN ASSEMBLY

SOLUTION GROUP, ec-H2O MODEL - CONT'D



## SOLUTION GROUP, ec-H2O MODEL - CONT'D

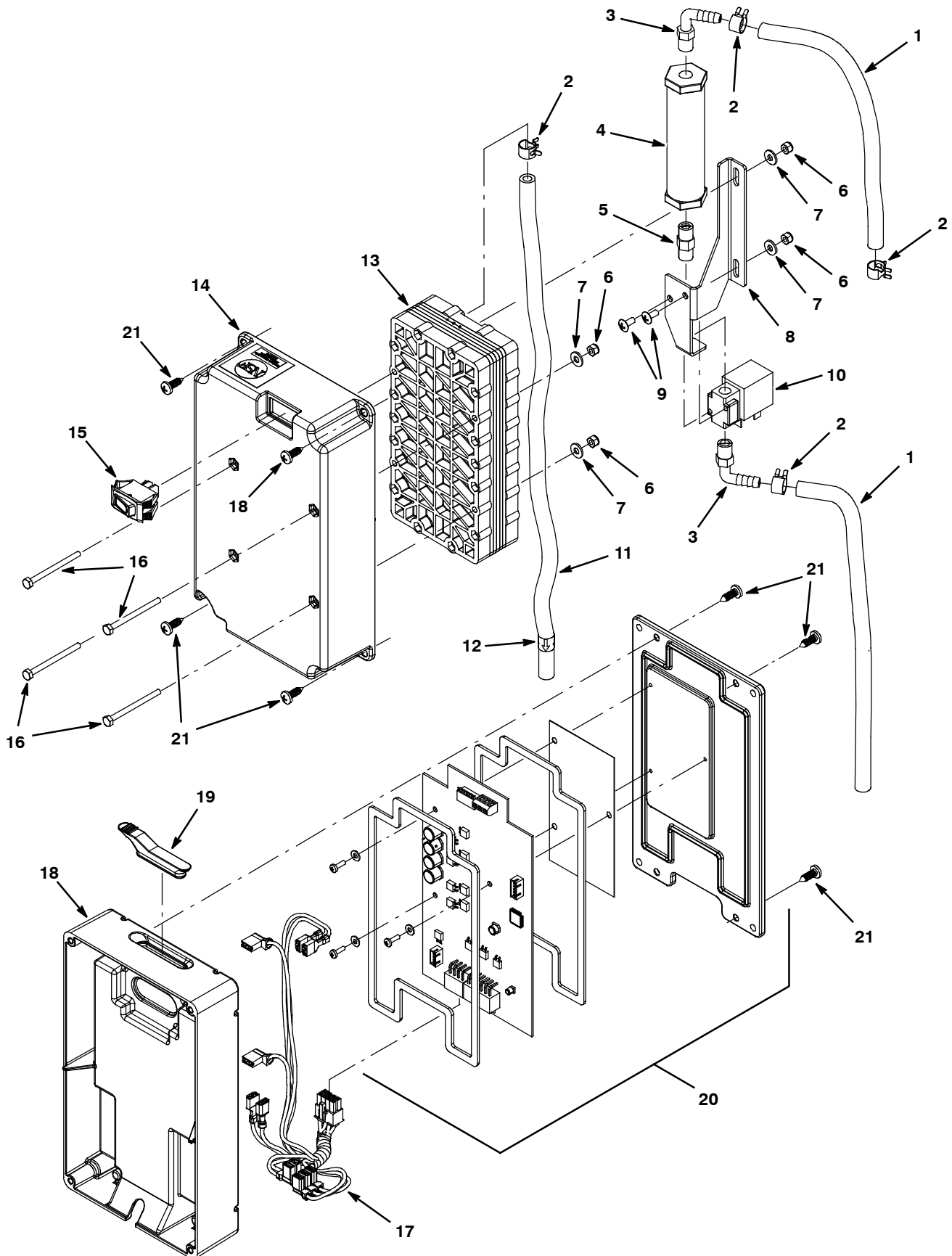
Ref.	Part No.	Serial Number	Description	Qty.	
1	1013442	(10000000-20000000)	Knob, Valve, Indicator, Blk	1	
2	1017091	(10000000-20000000)	Spring, Cmpr, 0.50od .04wir 00.8l	1	
▽	3	1062385	(10000000-20000000)	Valve, Water, Solenoid, 24vdc Bm10/Bm10	1
▲	614265	(10000000-20000000)	Valve Kit, Water [Viton Diaphragm]	1	
4	607776	(10000000-20000000)	Clamp, Hose, Wir, .73 - .77, Silver	10	
5	1015071	(10000000-20000000)	Hose, Afmkt, Pvc, Clr, 0.50id, 01ft	1	
6	612774	(10000000-20000000)	Fitting, Plstc, Str, Bm06/Bm08	1	
7	607775	(10000000-20000000)	Clamp, Hose, Wir, .63 - .66, Blk	5	
8	606318	(10000000-20000000)	Hose, PVC, Brd, 0.38id 0.60od 036.5l, Clr	1	
9	1017340	(10000000-20000000)	Fitting, Plstc, Tee, Bm06/Bm06/Pm04, Br	1	
10	606317	(10000000-20000000)	Hose, PVC, Brd, 0.38id 0.60od 019.5l, Clr	1	
11	1043866	(10000000-20000000)	Fitting Assy, Qd, Pf04	1	
12	50901	(10000000-20000000)	Fitting, Plstc, Str, Bm04/Pm04	1	
13	603654	(10000000-20000000)	Clamp, Hose, Ear, .44d [Ctb]	14	
14	578820000	(10000000-20000000)	Hose, Pvc, Brd, 0.25id 0.44od 157.2l, Clr	1	
15	130773	(10000000-20000000)	Tie, Cable, Nyl, 11.0l, .14w, 3.0 Max. D	2	
16	150713	(10000000-20000000)	Fitting, Plstc, Tee, Bm04/Bm04/Bm04	3	
17	578820000	(10000000-20000000)	Hose, Pvc, Brd, 0.25id 0.44od 157.2l, Clr	1	
18	1044334	(10000000-20000000)	Valve, Check, 0017psi Bm04/Bm04	1	
19	1044335	(10000000-20000000)	Switch, Press, 6psi, Pm02	1	
20	150520	(10000000-20000000)	Fitting, Brs, Str, Bm04/Pf02	1	
21	150515	(10000000-20000000)	Fitting, Brs, Str, Bm04/Pm04 [Taped]	1	
22	150709	(10000000-20000000)	Fitting, Brs, Tee, Pm04/Pf04/Pf04, Run	1	
23	1016383	(10000000-20000000)	Fitting, Brs, Str, Pf04/Pm06	1	
24	150100	(10000000-20000000)	Fitting, Brs, Str, Pf02/Pm04	1	
25	1017386	(10000000-20000000)	Valve, Vent, Air, Float Type	1	
▽	26	9007970	(10000000-20000000)	Module Kit, Replmt [Ec- H2o] (See Breakdown)	1
▲	27	578820000	(10000000-20000000)	Hose, Pvc, Brd, 0.25id 0.44od 157.2l, Clr	1
▲	28	9004606	(10000000-20000000)	Hose, Pvc, Brd, .25id .45od 64l, Clr	1
29	1042495	(10000000-20000000)	Pump, Soltn, Ele, 24vdc, 35psi	1	
30	1005630	(10000000-20000000)	Fitting, Plstc, E90, Bm06/Pm06, Nyl	1	
31	613521	(10000000-20000000)	Hose, Pvc, Clr, 0.50id 0.75od 012.0l	1	
32	613514	(10000000-20000000)	Hose, Pvc, Clr, 0.50id 0.75od 004.1l	1	
33	630372	(10000000-20000000)	Fitting, Plstc, Tee, Bm06/Bm08/Bm08, Br	1	
34	140957	(10000000-20000000)	Hose, Pvc, Clr, 0.50id 0.75od 002.5l	1	
35	1017532	(10000000-20000000)	Fitting, Plstc, E90, Bm08/Pm06	2	
36	150420	(10000000-20000000)	Fitting, Brs, E90, Pf06/Pm06 [Taped]	2	
37	1023581	(10000000-20000000)	Fitting, Plstc, Str, Bm08/Pm08, Nyl	1	
38	140957	(10000000-20000000)	Hose, Pvc, Clr, 0.50id 0.75od 002.5l	2	
39	63987- 1	(10000000-20000000)	Fitting, Plstc, E90, Bm08/Bm08	1	
40	1005302	(10000000-20000000)	Filter, In- Line, Pf06/Pf06 080mesh 02.6l	1	

▽ ASSEMBLY

▲ INCLUDED IN ASSEMBLY

# STANDARD PARTS

## ec-H2O MODULE ASSEMBLY BREAKDOWN, 9007970 (S/N 10419449- )



**ec-H2O MODULE ASSEMBLY BREAKDOWN, 9007970 (S/N 10419449- )**

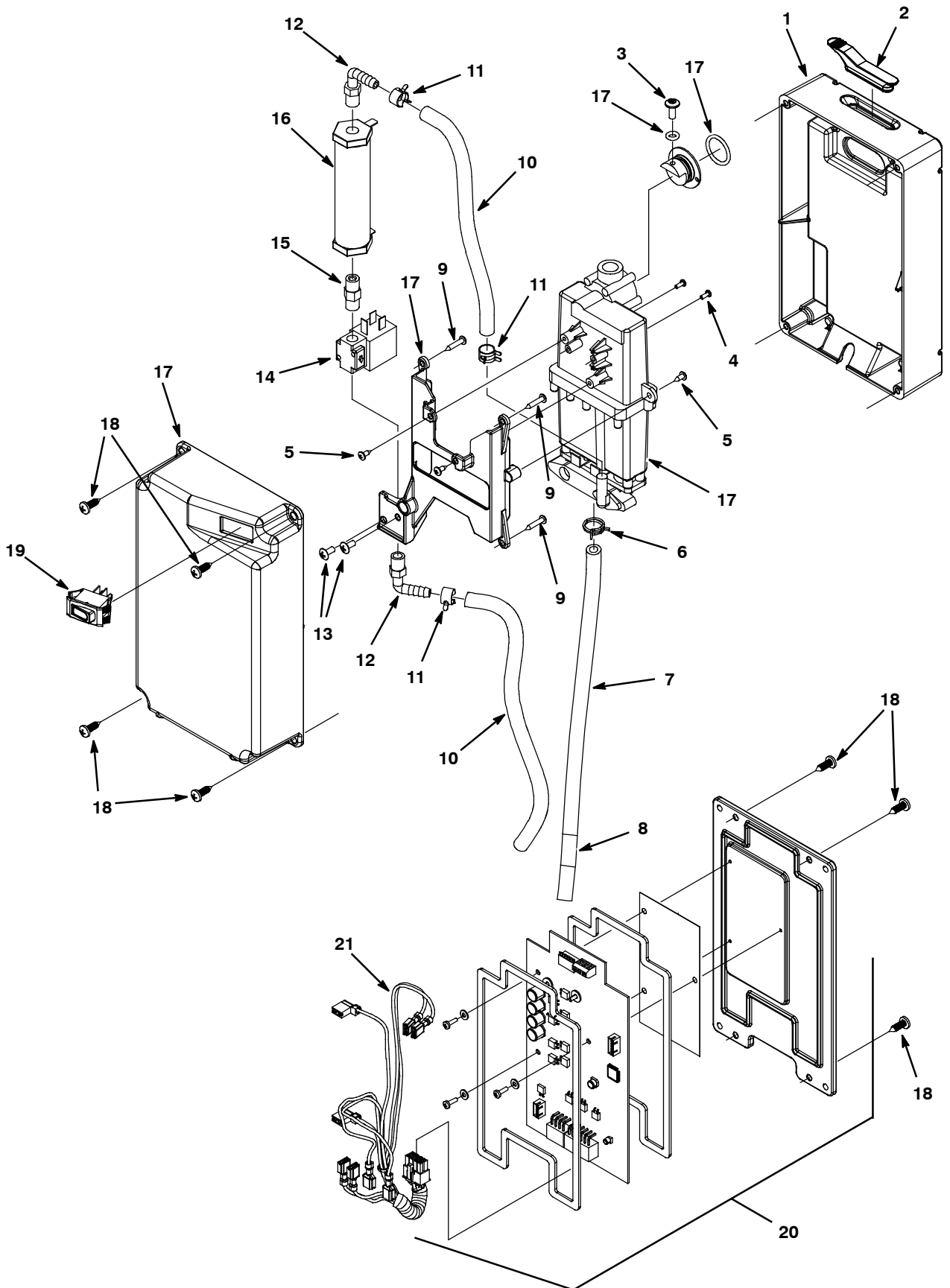
Ref.	Part No.	Serial Number	Description	Qty.
▽	9007970	(10419449- 20000000 )	Module Kit, Replmt [Ec- H2o]	1
▲▽	9006324	(10419449- 20000000 )	Ec- H2o Kit [Module B, Plumbing]	1
▲▲	1 578820000	(10000000- 20000000 )	Hose, Pvc, Brd, 0.25id 0.44od 157.2l,Clr	1
▲▲	2 603654	(10000000- 20000000 )	Clamp, Hose, Ear, .44d [Ctb]	4
▲▲	3 1037595	(10000000- 20000000 )	Fitting, Plstc, E90, Bm04/Pm02, Nyl	2
▲▲	4 1062006	(10000000- 20000000 )	Electrode, Cylindrical	1
▲▲	5 1045030	(10000000- 20000000 )	Fitting, Brs, Str, Pm02/Pm02	1
▲▲	6 33932	(10419449- 20000000 )	Nut, Hex, Lock, M4 X 0.70, NI, Ss	4
▲▲	7 41579	(10419449- 20000000 )	Washer, Flat, 08, Ss	4
▲▲	8 1048490	(10419449- 20000000 )	Bracket, Valve	1
▲▲	9 140801	(10000000- 20000000 )	Screw, Trs, Phl, 08- 32 X 0.38, Ss	2
▲▲	10 1013236	(10000000- 20000000 )	Valve, Shutoff, Ele, 24vdc	1
▲▲	11 9006574	(10419449- 20000000 )	Hose, Pvc, Brd, 0.25id 0.45od, 65l, Clr	1
▲▲	12 1049637	(10000000- 20000000 )	Label, Direction [Ec- H2o]	1
▲▲	13 1057637	(10419449- 20000000 )	Electrode, 5 Plate, High Flow	1
▲▲	14 1051519	(10419449- 20000000 )	Housing, Upper, Module, High Flow	1
▲▲	15 1044393	(10000000- 20000000 )	Switch, Rocker, Spst, Mom,	1
▲▲	16 32509	(10419449- 20000000 )	Screw, Hex, M4 X 0.70 X 50, Ss	4
▲▲	17 1049489	(10419449- 20000000 )	Harness, Main, Controller [Ec- H2o, P3]	1
▲	18 1037032	(10000000- 20000000 )	Housing, Bottom	1
▲	19 1054776	(10419449- 20000000 )	Grommet, Blind	1
▲	20 9007969	(10000000- 20000000 )	Controller Kit, Replmt [Ec- H2o]	1
▲	21 1018155	(10000000- 20000000 )	Screw, Pan, Phl, M5 X 0.80 X 16, Tcut,Ss	8

▽ ASSEMBLY

▲ INCLUDED IN ASSEMBLY

# STANDARD PARTS

## ec-H2O MODULE ASSEMBLY BREAKDOWN, 9006161 (S/N 1000000- 10419448)



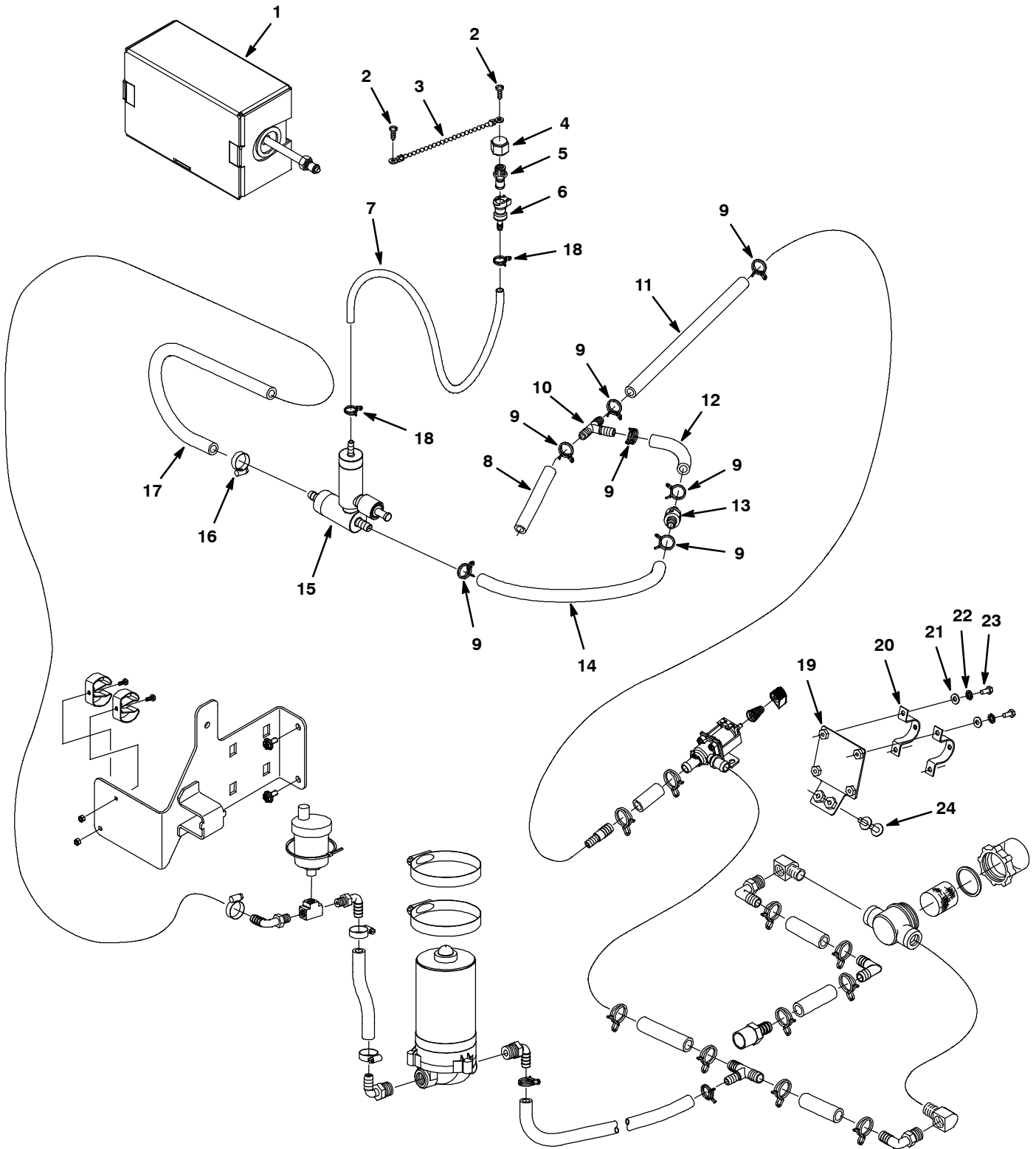
**ec-H2O MODULE ASSEMBLY BREAKDOWN, 9006161 (S/N 10000000- 10419448)**

Ref.	Part No.	Serial Number	Description	Qty.
▽	9006161	(10000000- 10419448 )	Module Kit, Replmt [Ec- H2o]	1
▲	1 1037032	(10000000- 20000000 )	Housing, Bottom	1
▲	2 1054776	(10000000- 20000000 )	Grommet, Blind	1
▲	3 609062	(10000000- 10419448 )	Screw, Trs, Phl, 08- 32 X 0.38, Ss	1
▲	4 578860	(10000000- 10419448 )	Screw, Pan, Phl, 04- 40 X 0.31, Pl	2
▲	5 3701.6	(10000000- 10419448 )	Screw, Pan, Phl, 06- 32 X 0.38, Shtmtl,Ss	4
▲	6 613735	(10000000- 20000000 )	Clamp, Hose, Wir, .40 - .42, Yel	1
▲	7 9004606	(10000000- 10419448 )	Hose, Pvc, Brd, .25id .45od 46l, Clr	1
▲	8 1049637	(10000000- 20000000 )	Label, Direction [Ec- H2o]	1
▲	9 140826	(10000000- 10419448 )	Screw, Pan, 06- 32 X 0.75, Fmg/Ab, Ss	4
▲	10 578820000	(10000000- 20000000 )	Hose, Pvc, Brd, 0.25id 0.44od 157.2l,Clr	1
▲	11 603654	(10000000- 20000000 )	Clamp, Hose, Ear, .44d [Ctb]	4
▲	12 1037595	(10000000- 20000000 )	Fitting, Plstc, E90, Bm04/Pm02, Nyl	2
▲	13 140801	(10000000- 10419448 )	Screw, Trs, Phl, 08- 32 X 0.38, Ss	2
▲	14 1013236	(10000000- 20000000 )	Valve, Shutoff, Ele, 24vdc	1
▲	15 1045030	(10000000- 20000000 )	Fitting, Brs, Str, Pm02/Pm02	1
▲	16 1038159	(10000000- 20000000 )	Electrode, Cylindrical	1
▲	17 N/A	(10000000- 10419448 )	Part Not Sold Separately - Order E- Cell Upgrade Kit P/N 9006324	1
▲	18 1018155	(10000000- 20000000 )	Screw, Pan, Phl, M5 X 0.80 X 16, Tcut,Ss	8
▲	19 1044393	(10000000- 20000000 )	Switch, Rocker, Spst, Mom,	1
▲	20 9006159	(10000000- 20000000 )	Controller Kit, Replmt [Ec- H2o]	1
▲	21 1044399	(10000000- 10419448 )	Harness, Main, Controller [Ec- H2o, P3]	1

▽ ASSEMBLY

▲ INCLUDED IN ASSEMBLY

SOLUTION GROUP, FaST MODEL

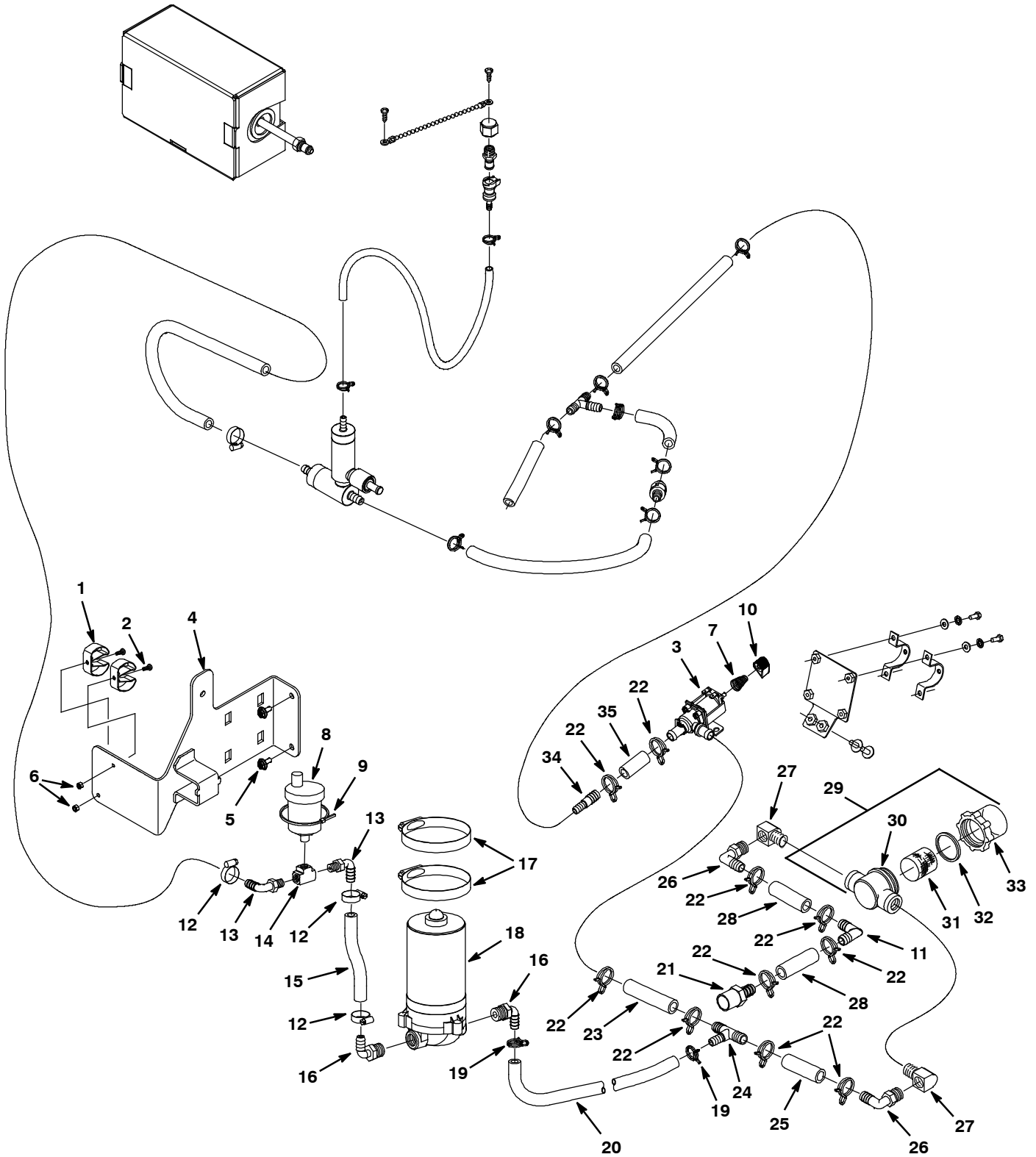




## SOLUTION GROUP, FaST MODEL

Ref.	Part No.	Serial Number	Description	Qty.
1	1017019	(10000000- 20000000 )	Detergent Pkg, 2 Liter, Sgl [Mp]	1
1	1017025	(10000000- 20000000 )	Detergent Pkg, 2 Liter, Sgl [Mpd]	1
2	1018155	(10000000- 20000000 )	Screw, Pan, M5 X 0.8 X16, Ss, Tcut	2
3	621443	(10000000- 20000000 )	Chain, Ball, #10, 157mml, Ss	1
4	1005435	(10000000- 20000000 )	Fitting, Plstc, Cap, Pf04, Pipe	1
5	1006206	(10000000- 20000000 )	Fitting, Plstc, Str, Pm04, Cplg, Mal [Nob]	1
6	1006204	(10000000- 20000000 )	Coupling, Fem, W/ Valve, .25 Brb [Nobles]	1
7	613947	(10000000- 20000000 )	Hose, Clr, 0.25id 26.0l	1
8	606317	(10000000- 20000000 )	Hose, PVC,Brd, 0.38id 0.60od 019.5l, Clr	1
9	607775	(10000000- 20000000 )	Clamp, Hose, Wir, .63 - .66, Blk	7
10	160310	(10000000- 20000000 )	Fitting, Plstc, Tee, Bm06/Bm06/Bm06	1
11	606318	(10000000- 20000000 )	Hose, PVC,Brd, 0.38id 0.60od 036.5l, Clr	1
12	606362	(10000000- 20000000 )	Hose 3/8idx5/8odx6.5 (611254)	1
13	1015455	(10000000- 20000000 )	Valve, Check, 0005psi Bm06/Bm06	1
14	613442	(10000000- 20000000 )	Hose 3/8idx5/8od Clear 611254 Ft 1.292	1
15	9008865	(10533369- 20000000 )	Fast Kit, Injector, Ci [T3/Ss3 Fast lii] (43 & 50 CM Models - See Breakdowns)	1
15	9003906	(10000000- 1533368 )	Fast Kit, Injector, Ci [T3/Ss3 Fast li+] (43 & 50 CM Models - See Breakdowns)	1
15	9008847	(10538206- 20000000 )	Fast Kit, Injector[T5 60/65cm, Fast lii] (60 CM Model - See Breakdowns)	1
15	9003907	(10000000- 10538205 )	Fast Kit, Injector[T5 60/65cm, Fast li+] (60 CM Model - See Breakdowns)	1
16	54333	(10000000- 20000000 )	Clamp, Hose, Wormdrive, 0.31- 0.88d, .31w	1
17	613722	(10000000- 20000000 )	Hose .38 Id X 21" Pvc Braided	1
18	613735	(10000000- 20000000 )	Clamp, Hose, Wir, .40 - .42, Yel	2
19	1029533	(10000000- 20000000 )	Bracket, Mtg, Fltr	1
20	605056	(10000000- 20000000 )	Bracket, Mtg, Fltr	2
21	01683	(10000000- 20000000 )	Washer, Flat, #10, Ss	4
22	07514	(10000000- 20000000 )	Washer, Lock, Int, #10, Ss	4
23	09738	(10000000- 20000000 )	Screw, Hex, M5 X 0.8 X 12, Ss	4
24	1034731	(10000000- 20000000 )	Screw, Hex, M6 X 1.00 X 16, Ss, Sems	2

SOLUTION GROUP, FaST MODEL - CONT'D



## SOLUTION GROUP, FaST MODEL - CONT'D

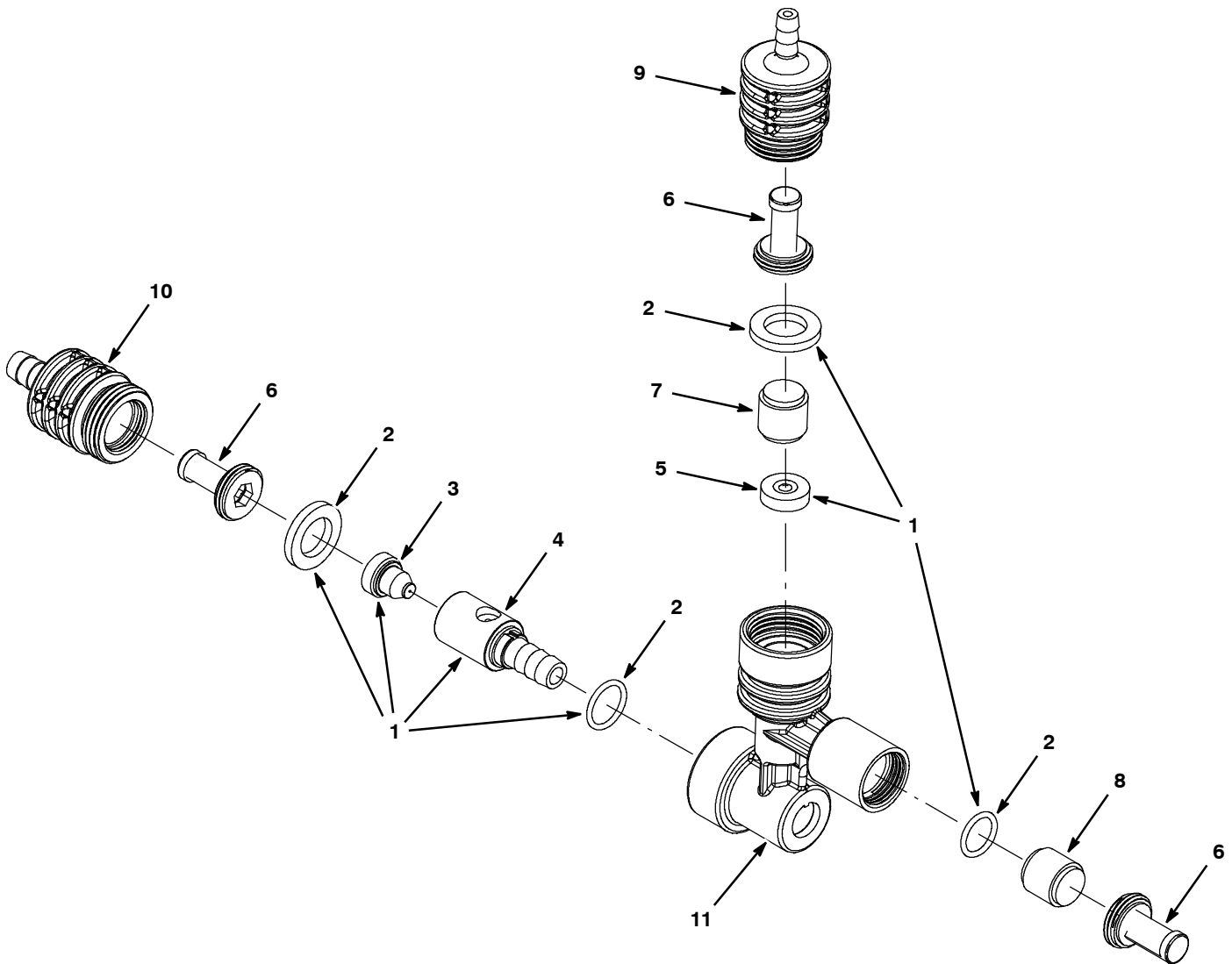
Ref.	Part No.	Serial Number	Description	Qty.	
1	573073	(10000000-20000000)	Clip, Grip, Hose, 1.00- 1.38, Zn	2	
2	49697	(10000000-20000000)	Screw, Pan, M4 X 0.7 X 10, Ss	2	
▽	3	1062385	(10000000-20000000)	Valve, Water, Solenoid, 24vdc Bm10/Bm10	1
▲	614265	(10000000-20000000)	Valve Kit, Water [Viton Diaphragm]	1	
4	1037242	(10000000-20000000)	Bracket Wldt, Mtg, Pump [Fast li+]	1	
5	1034731	(10000000-20000000)	Screw, Hex, M6 X 1.00 X 16, Sems, Ss	2	
6	33932	(10000000-20000000)	Nut, Hex, Lock, M4 X 0.7, NI, Ss	2	
7	1017091	(10000000-20000000)	Spring, Cmpr, .48d, .036w, .75l	1	
8	1017386	(10000000-20000000)	Valve, Air Vent, Float Type	1	
9	44961	(10000000-20000000)	Tie, Cable, Nyl, 14.5l .30w 4.0 Max D	1	
10	1013442	(10000000-20000000)	Knob, Valve, Indicator, Blk	1	
11	63987- 1	(10000000-20000000)	Fitting, Plstc, E90, Bm08/Bm08	1	
12	54333	(10000000-20000000)	Clamp, Hose, Wormdrive, 0.31- 0.88d, .31w	3	
13	1005564	(10000000-20000000)	Fitting, Plstc, E90, Bm06/Pm02, Nyl	2	
14	150705	(10000000-20000000)	Fitting, Brs, Tee, Pf02/Pf02/Pf02	1	
15	613724	(10000000-20000000)	Hose .38 Id X 10" Pvc Braided	1	
16	1005630	(10000000-20000000)	Fitting, Plstc, E90, Bm06/Pm06, Nyl	2	
17	43555	(10000000-20000000)	Clamp, Hose, Wormdrive, 2.50- 3.50d, .50w	2	
18	1014282	(10000000-20000000)	Pump, Soltn, Ele, 24vdc, 60psi, Packard	1	
19	607775	(10000000-20000000)	Clamp, Hose, Wir, .63 - .66, Blk	2	
20	613450	(10000000-20000000)	Hose 3/8idx5/8od Clear 611254 Ft 2.000	1	
21	1023581	(10000000-20000000)	Fitting, Plstc, Str, Bm08/Pm08, Nyl	1	
22	607776	(10000000-20000000)	Clamp, Hose, Wir, .73 - .77, Silver	10	
23	613514	(10000000-20000000)	Tube, 0.50id X 0.75od Vyl 0.34ft[611259]	1	
24	630372	(10000000-20000000)	Fitting, Plstc, Tee, Bm06/Bm08/Bm08, Br	1	
25	140957	(10000000-20000000)	Hose, Vyl, Clr, .50id .75od 2.5l(611259)	1	
26	1017532	(10000000-20000000)	Fitting, Plstc, E90, Bm08/Pm06	2	
27	150420	(10000000-20000000)	Fitting, Brs, E90, Pf06/Pm06 [Taped]	2	
28	140957	(10000000-20000000)	Hose, Pvc, Clr, 0.50id 0.75od 002.5l	2	
▽	29	1005302	(10000000-20000000)	Filter, In- Line, Pf06/Pf06, 80 Mesh	1
▲	30	613993	(10000000-20000000)	Housing, Top, F/1005302	1
▲	31	1005304	(10000000-20000000)	Screen, Fltr, 80 Mesh	1
▲	32	613992	(10000000-20000000)	Gasket [Viton, F/1005302]	1
▲	33	613991	(10000000-20000000)	Bowl, Clr, Short, F/1005302	1
34	612774	(10000000-20000000)	Fitting, Plstc, Str, Bm06/Bm08	1	
35	1015071	(10000000-20000000)	Hose, Afmkt, Pvc, Clr 0.50id 01ft	1	
N/S	130773	(10000000-20000000)	Tie, Cable, Nyl, 11.0l, .14w, 3.0 Max. D	2	

▽ ASSEMBLY

▲ INCLUDED IN ASSEMBLY

# STANDARD PARTS

## 9008865 FAST INJECTOR ASSEMBLY BREAKDOWN, SINGLE DISK 43 cm & 50 cm MODELS (S/N 10533369- )

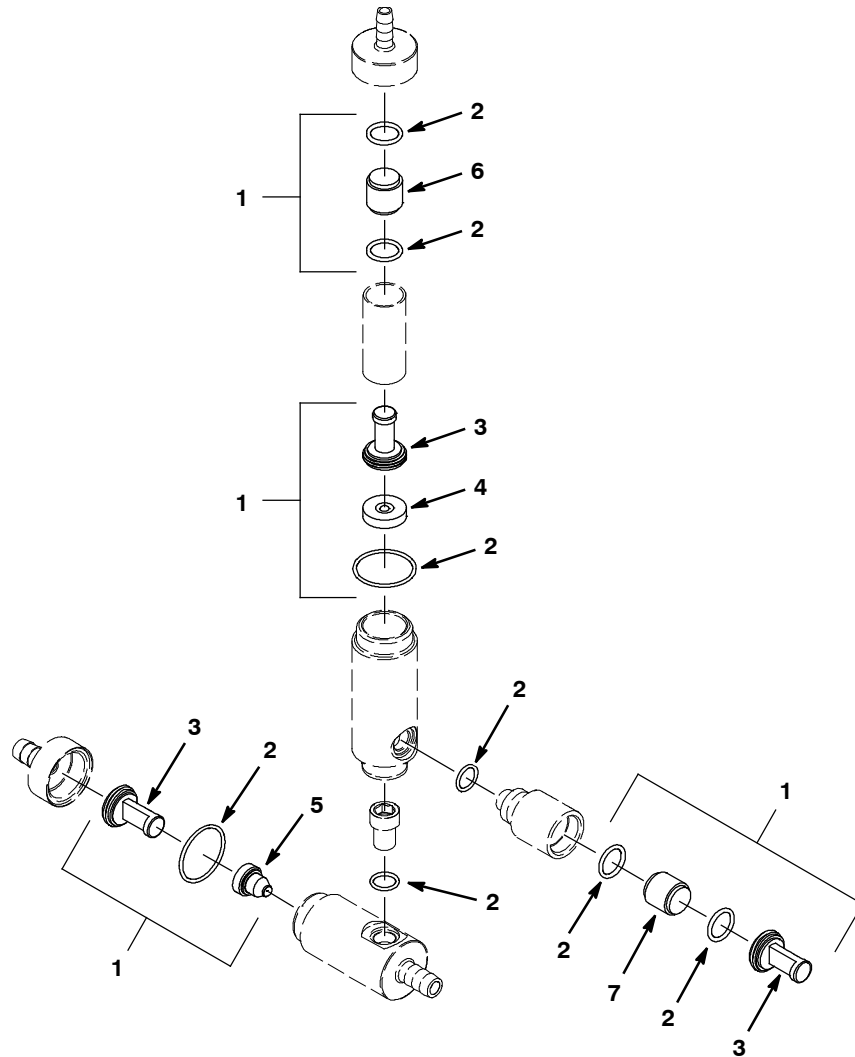


Ref.	Part No.	Serial Number	Description	Qty.
▽	9008865	(10533369-2000000 )	Fast Kit, Injector, Ci [T3/Ss3 Fast Iii]	1
▲▽	1	9008758	Fast Kit, Ci [Inj Reblid, T3/Ss3, LI]	1
▲▲	2	9008848	Fast Kit, Seal, Injector, Ci [Fast Iii]	1
▲▲	3	1039988	Plug, Orifice, 0.027, Ss [Fast li+]	1
▲▲	4	1053366	Insert, Venturi, Small, [Fast Iii]	1
▲▲	5	1059870	Plate Assy, Orifice, 0.0065id, Blk	1
▲	6	9003009	Fast Kit, Ci, Injector Filters[Fast li+]	1
▲	7	1030444	Valve, Check, 0002psi [Fast li+]	1
▲	8	1030441	Valve, Check, 0005psi [Fast li+]	1
▲	9	1058126	Housing, Fltr, Upper [Fast Iii]	1
▲	10	1057811	Housing, Fltr, Lower [Fast Iii]	1
▲	11	1053564	Housing, Body, Injector [Fast Iii]	1

▽ ASSEMBLY

▲ INCLUDED IN ASSEMBLY

**9003906 FAST INJECTOR ASSEMBLY BREAKDOWN,  
SINGLE DISK 43 cm & 50 cm MODELS (S/N 10000000- 10533368)**



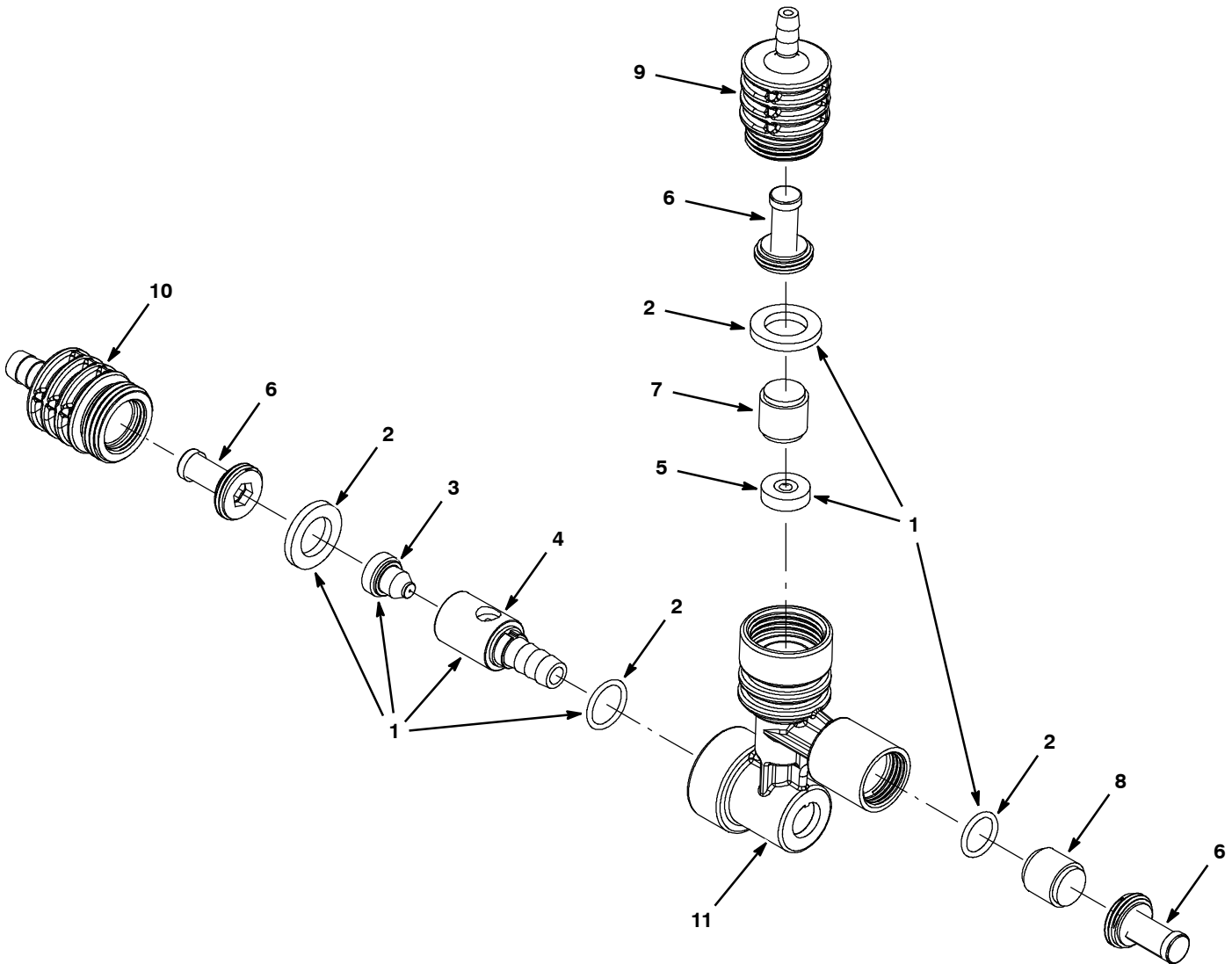
Ref.	Part No.	Serial Number	Description	Qty.
▽	9003906	(10000000- 10533368 )	FaST Kit, Injector, Ci [T3/Ss3 FaST II+]	1
▲	1	9003802 (10000000- 10533368 )	FaST Kit, Ci, Injector Rebuild [FaST II+]	1
▲	2	9003008 (10000000- 10533368 )	FaST Kit, Ci, Injector Seals [FaST II+]	1
▲	3	9003009 (10000000- 20000000 )	FaST Kit, Ci, Injector Filters [FaST II+]	1
▲	4	1039974 (10000000- 10533368 )	Plate Assy, Orifice, 0.0065ld, Blk	1
▲	5	1039988 (10000000- 20000000 )	Orifice, Plug, .027	1
▲	6	1030444 (10000000- 20000000 )	Valve, Check, 0002psi, White, [FaST II+]	1
▲	7	1030441 (10000000- 20000000 )	Valve, Check, 0005psi, Brown, [FaST II+]	1

▽ ASSEMBLY

▲ INCLUDED IN ASSEMBLY

# STANDARD PARTS

## 9008847 FAST INJECTOR ASSEMBLY BREAKDOWN, DUAL DISK 60 cm MODEL (S/N 10538206- )

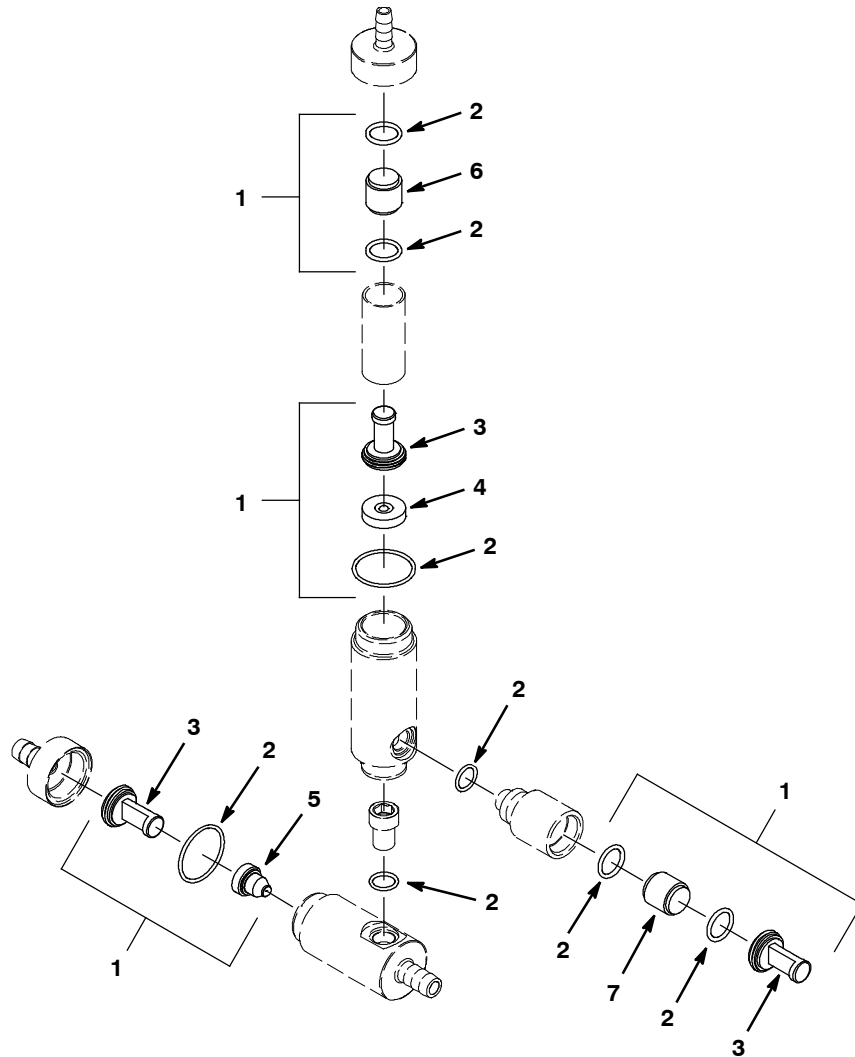


Ref.	Part No.	Serial Number	Description	Qty.
▽	9008847	(10538206-20000000 )	Fast Kit, Injector[T5 60/65cm, Fast lii]	1
▲▽	1	9003811 (10538206-20000000 )	Fast Kit, Ci[Inj Reblid, T5 60/65cm, li+]	1
▲▲	2	9008848 (10538206-20000000 )	Fast Kit, Seal, Injector, Ci [Fast lii]	1
▲▲	3	1039989 (10348538-20000000 )	Plug, Orifice, 0.030, Ss [Fast li+]	1
▲▲	4	1059250 (10538206-20000000 )	Insert, Venturi, Medium, [Fast lii]	1
▲▲	5	1059869 (10538206-20000000 )	Plate Assy, Orifice, 0.007id, Red	1
▲	6	9003009 (10348538-20000000 )	Fast Kit, Ci, Injector Filters[Fast li+]	1
▲	7	1030444 (10348538-20000000 )	Valve, Check, 0002psi [Fast li+]	1
▲	8	1030441 (10348538-20000000 )	Valve, Check, 0005psi [Fast li+]	1
▲	9	1058126 (10538206-20000000 )	Housing, Fltr, Upper [Fast lii]	1
▲	10	1057811 (10538206-20000000 )	Housing, Fltr, Lower [Fast lii]	1
▲	11	1053564 (10538206-20000000 )	Housing, Body, Injector [Fast lii]	1

▽ ASSEMBLY

▲ INCLUDED IN ASSEMBLY

**9003907 FAST INJECTOR ASSEMBLY BREAKDOWN -  
DUAL DISK 60 cm MODEL (S/N 10348538- 10538205)**



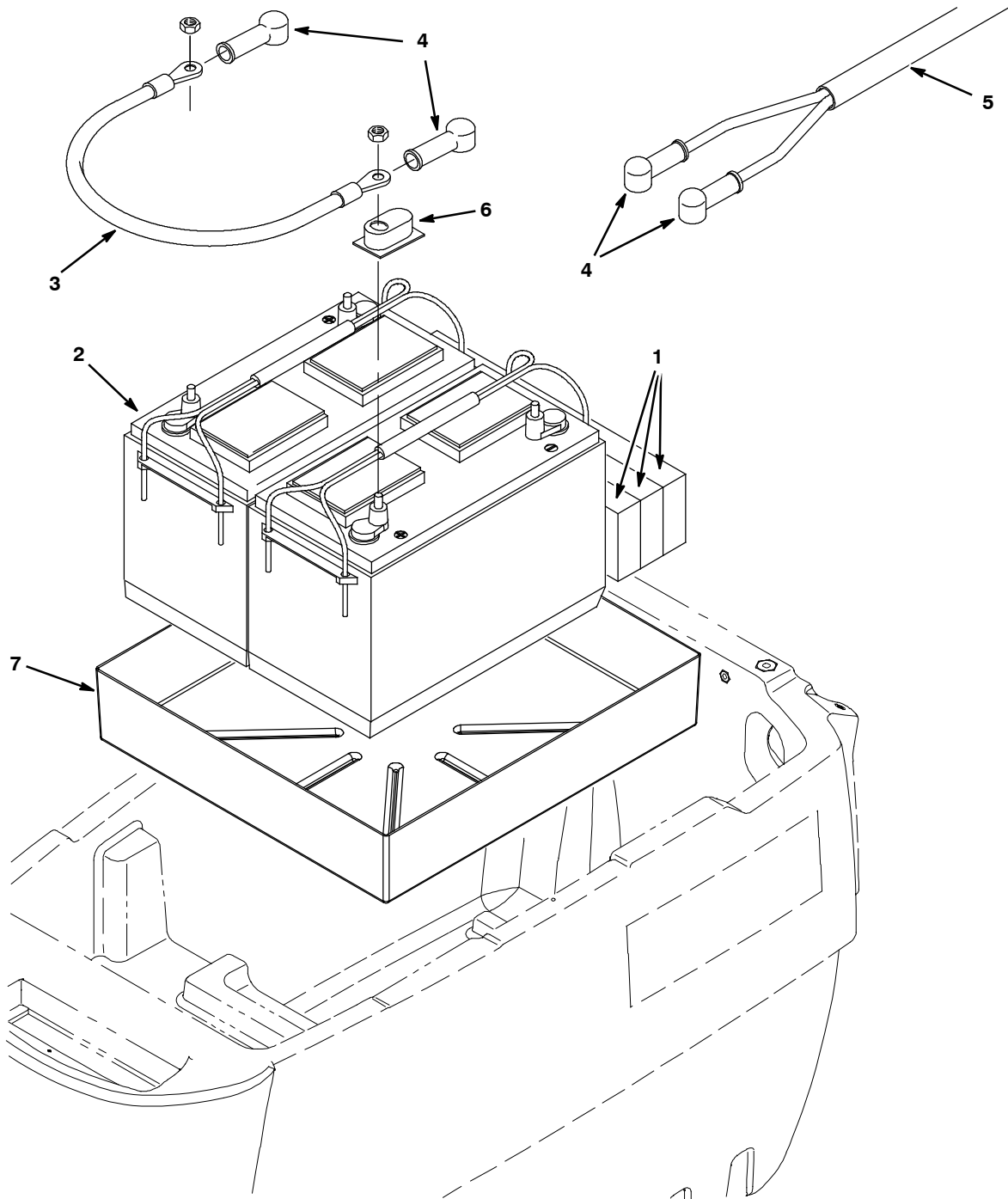
Ref.	Part No.	Serial Number	Description	Qty.
▽	9003907	(10348538- 10538205 )	Fast Kit, Injector[T5 60/65cm, Fast li+]	1
▲	1	9003811 (10348538- 10538205 )	Fast Kit, Ci[lnj Reblid, T5 60/65cm, li+]	1
▲	2	9003008 (10348538- 10538205 )	Fast Kit, Ci, Injector Seals [Fast li+]	1
▲	3	9003009 (10348538- 20000000 )	Fast Kit, Ci, Injector Filters[Fast li+]	1
▲	4	1032284 (10348538- 10538205 )	Plate Assy, Orifice, 0.007id, Red	1
▲	5	1039989 (10348538- 20000000 )	Plug, Orifice, 0.030, Ss [Fast li+]	1
▲	6	1030444 (10348538- 20000000 )	Valve, Check, 0002psi [Fast li+]	1
▲	7	1030441 (10348538- 20000000 )	Valve, Check, 0005psi [Fast li+]	1

▽ ASSEMBLY

▲ INCLUDED IN ASSEMBLY

# STANDARD PARTS

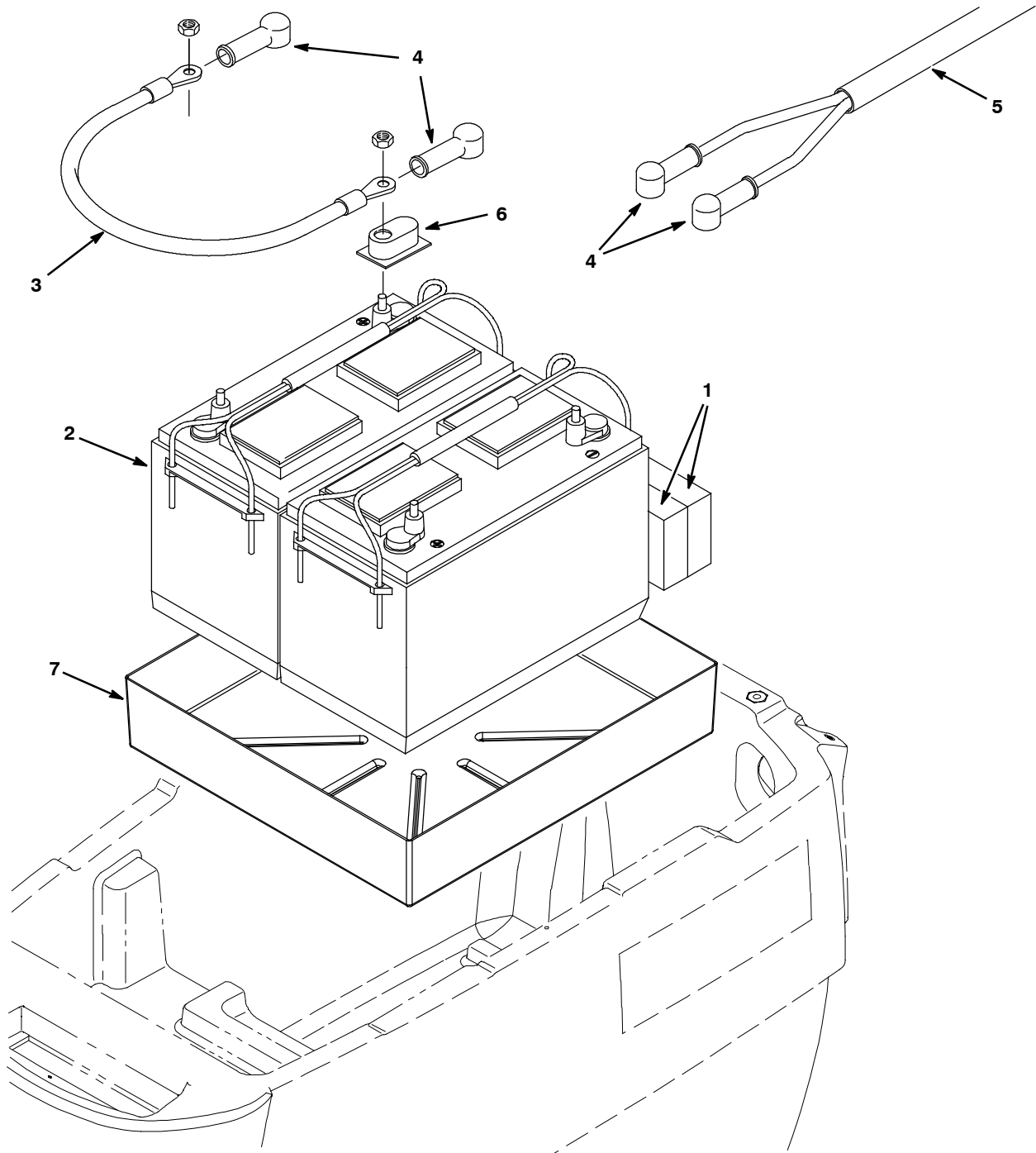
## BATTERY AND CABLE GROUP, 12V/105 AH, 43 cm (17 in) BRUSH ASSIST MODEL



Ref.	Part No.	Serial Number	Description	Qty.
1	630375	(10000000-20000000 )	Spacer, Battery, 1.25 X 3.25 X 13.7 Foam	3
2	578426	(10000000-20000000 )	Battery, 12vdc, 0530cca, 105ah [27tmx]	2
3	130364	(10000000-20000000 )	Cable, 06ga 15.0l Blk .31ring /.38ring	1
4	611221	(10000000-20000000 )	Boot, Terminal, Battery, 25.4mm, Blk	4
5	1015941	(10000000-20000000 )	Harness, Battery	1
6	45962	(10000000-20000000 )	Cap, Plstc, .04 1.38 X 2.30 0.5l (Tall Clear - Standard)	4
6	1041030	(10000000-20000000 )	Cap, Battery (Short Black - Optional)	4
7	1059486	(10000000-20000000 )	Tray, Battery [Ss3 / T3]	1



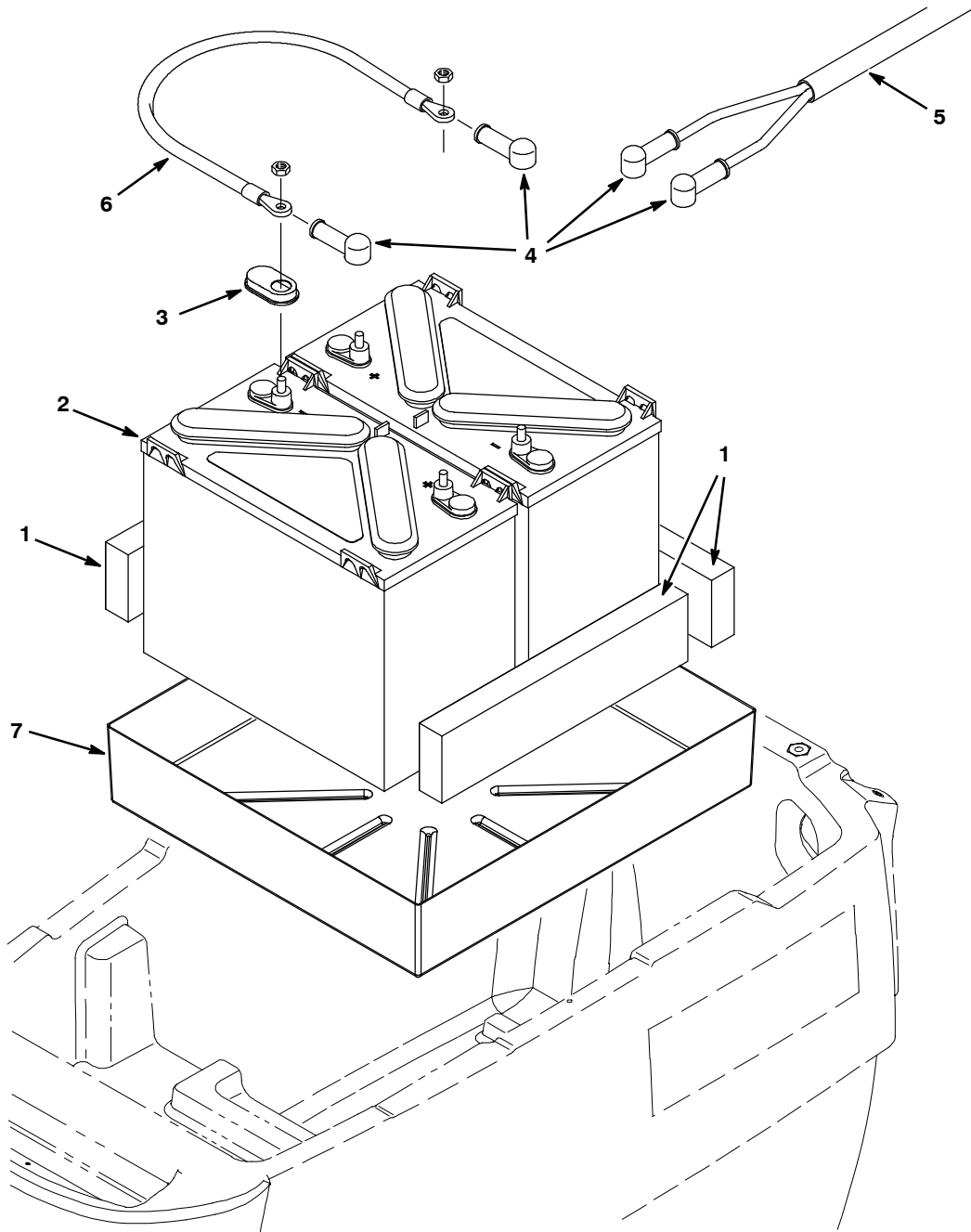
**BATTERY AND CABLE GROUP, 12V/130 Ah, 50 cm (20 in) BRUSH ASSIST MODEL**



Ref.	Part No.	Serial Number	Description	Qty.
1	630375	(10000000- 20000000 )	Spacer, Battery, 1.25 X 3.25 X 13.7 Foam	2
2	130869	(10000000- 20000000 )	Battery, 12vdc, Cca, 130ah(30xhs- Wnt)	2
3	130364	(10000000- 20000000 )	Cable, 06ga 15.0l Blk .31ring /.38ring	1
4	611221	(10000000- 20000000 )	Boot, Terminal, Battery, 25.4mm, Blk	4
5	1015941	(10000000- 20000000 )	Harness, Battery	1
6	45962	(10000000- 20000000 )	Cap, Plstc, .04 1.38 X 2.30 0.5l (Tall Clear - Standard)	4
6	1041030	(10000000- 20000000 )	Cap, Battery (Short Black - Optional)	4
7	1059486	(10000000- 20000000 )	Tray, Battery [Ss3 / T3]	1

# STANDARD PARTS

## BATTERY AND CABLE GROUP, 12V/155 AH, 50 cm (20 in) / 60 cm (24 in) DRIVE MODEL



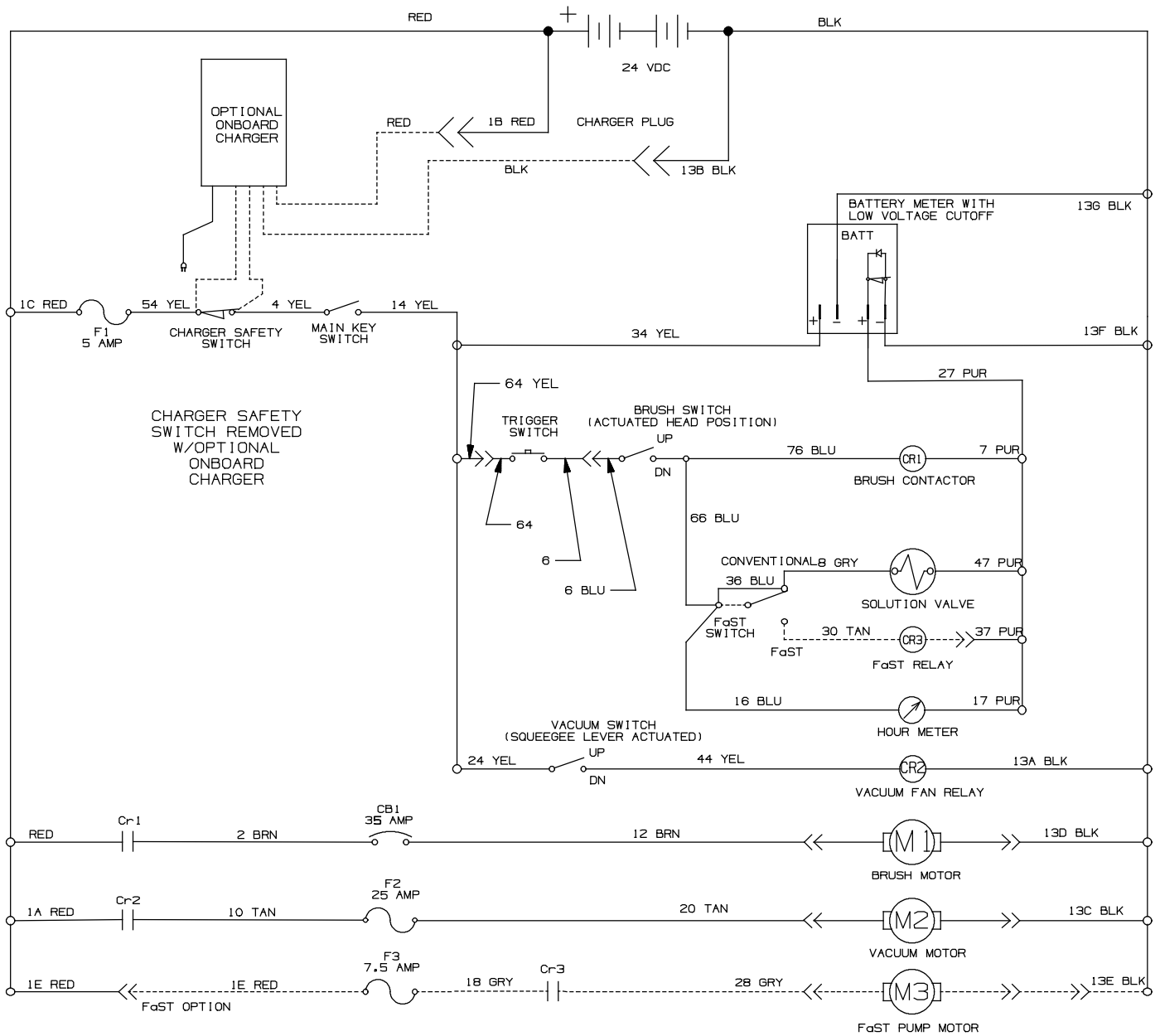
Ref.	Part No.	Serial Number	Description	Qty.
	1	630375	(10000000- 20000000 ) Spacer, Battery, 1.25 X 3.25 X 13.7 Foam	3
▽	2	1015046	(10000000- 20000000 ) Battery, 12vdc, 155ah, Wet	2
▲	3	1041030	(10000000- 20000000 ) Cap, Battery (Short Black - Standard)	4
	4	611221	(10000000- 20000000 ) Boot, Terminal, Battery, 25.4mm, Blk	4
	5	1015941	(10000000- 20000000 ) Harness, Battery	1
	6	130364	(10000000- 20000000 ) Cable, 06ga 15.0l Blk .31ring /.38ring	1
	7	1059486	(10000000- 20000000 ) Tray, Battery [Ss3 / T3]	1

▽ ASSEMBLY

▲ INCLUDED IN ASSEMBLY

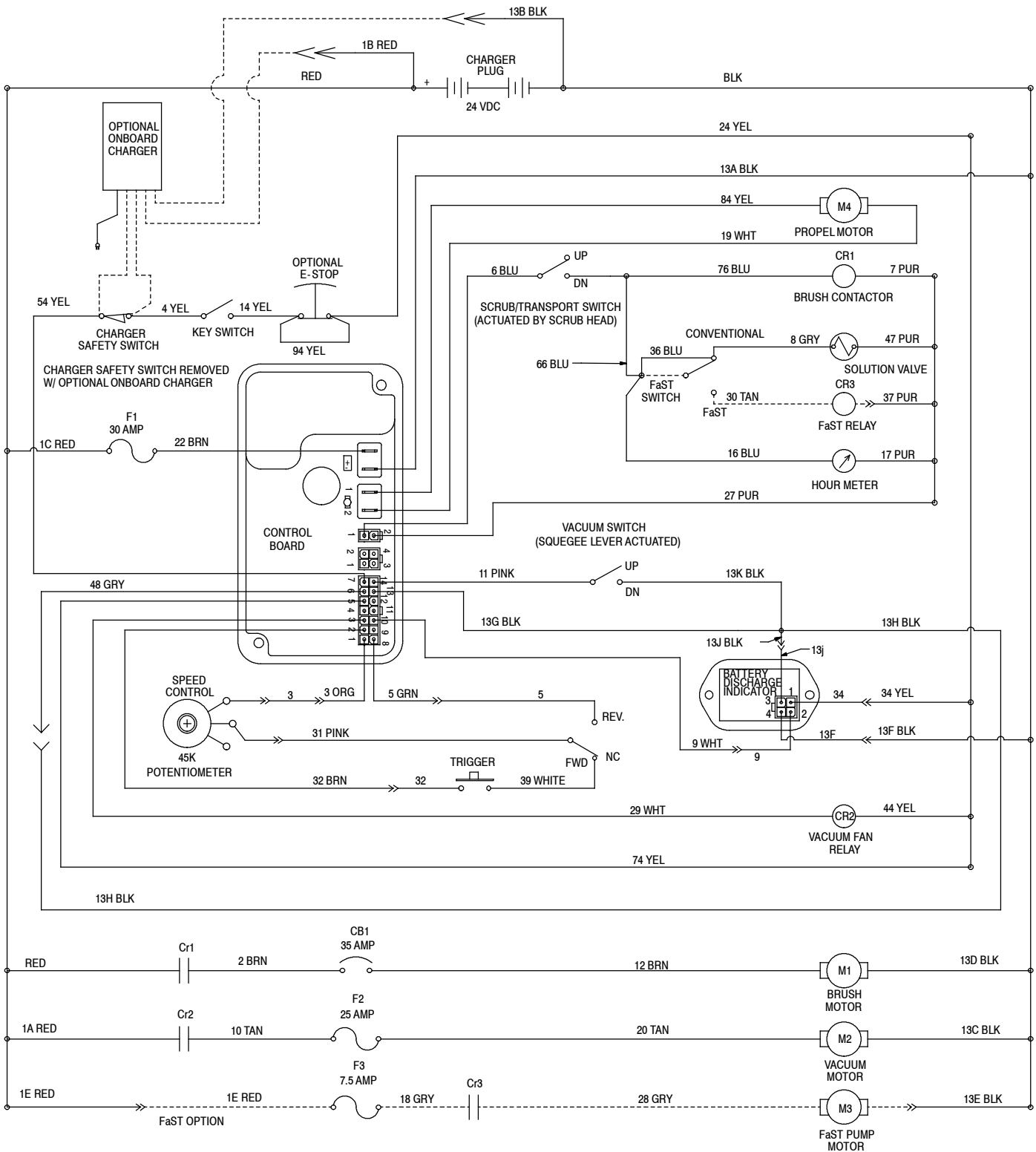
ELECTRICAL DIAGRAM, BRUSH ASSIST STANDARD & FaST MODEL

1032409



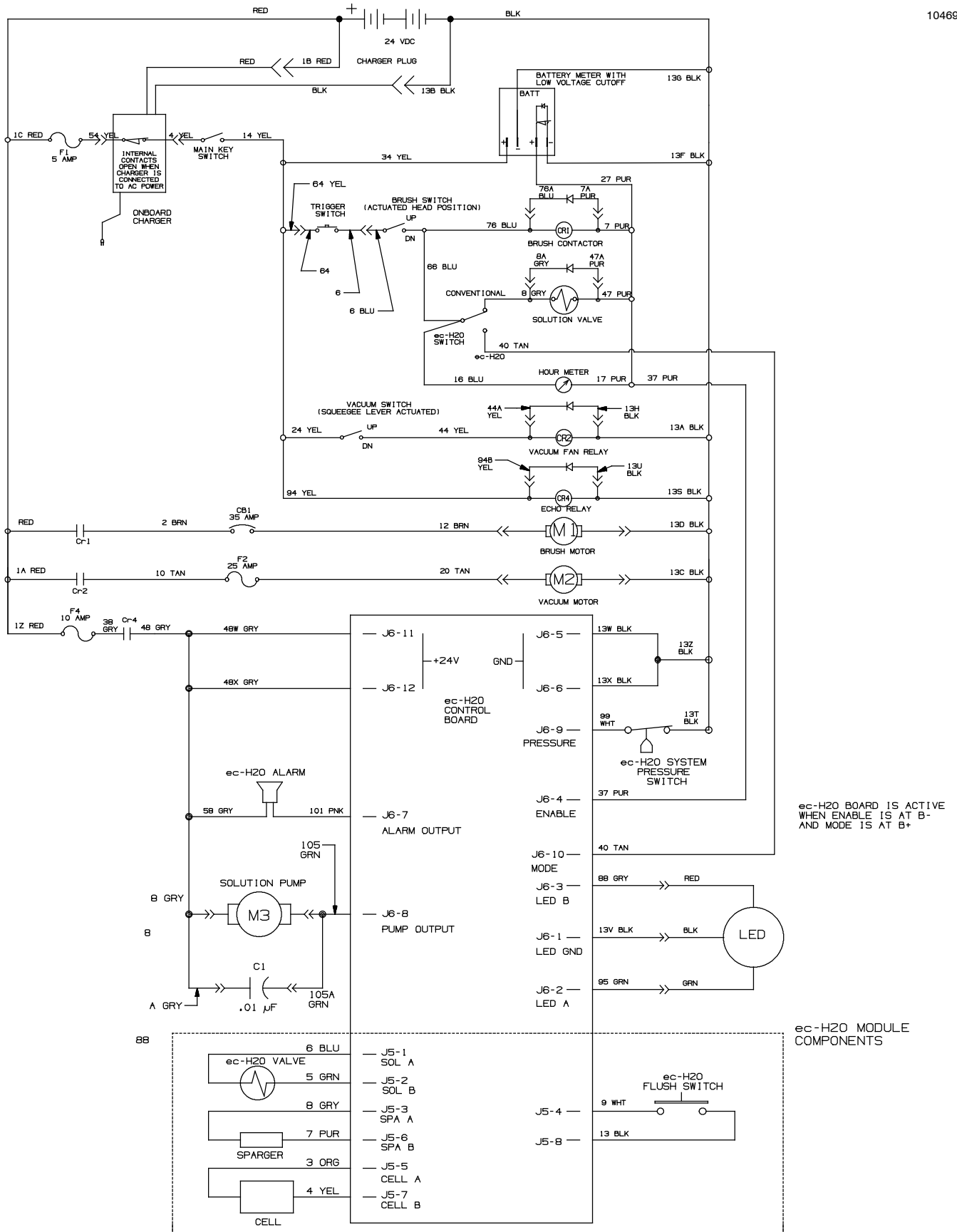
ELECTRICAL DIAGRAM, DRIVE STANDARD & FaST MODEL

1032396



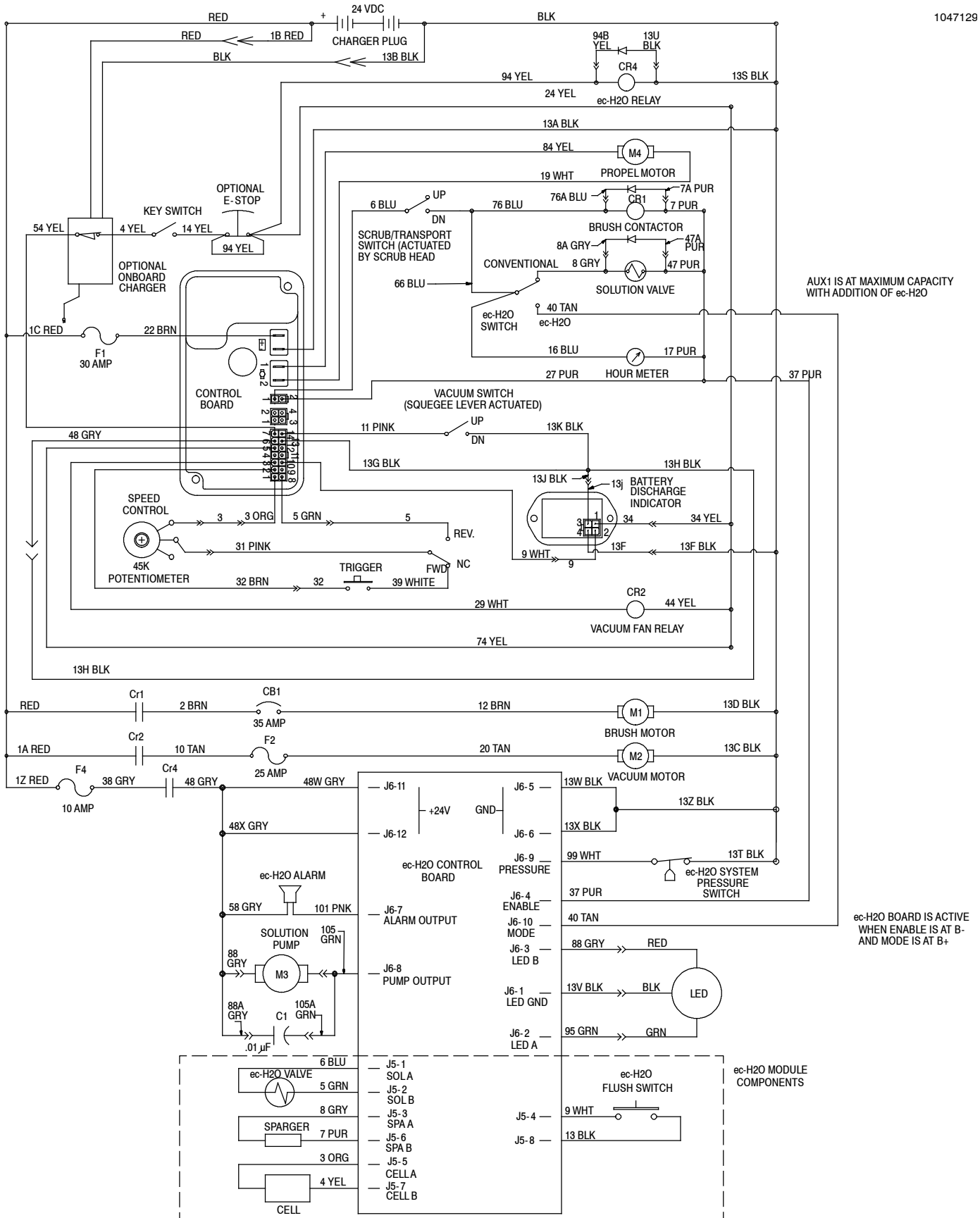
ELECTRICAL DIAGRAM, BRUSH ASSIST ec-H2O MODEL

1046949

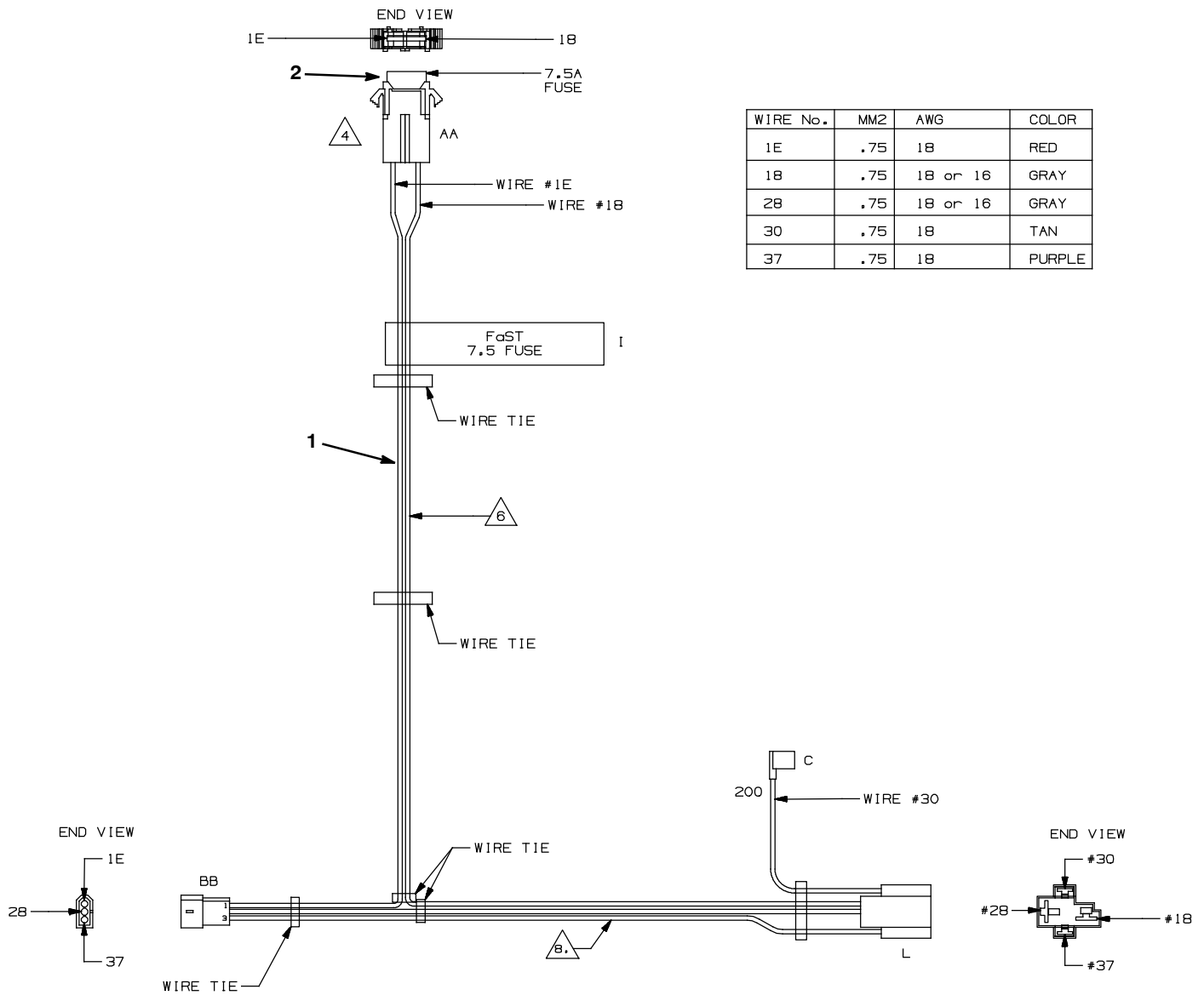


ELECTRICAL DIAGRAM, DRIVE ec-H2O MODEL

1047129



WIRE HARNESS GROUP, FAST OPTION

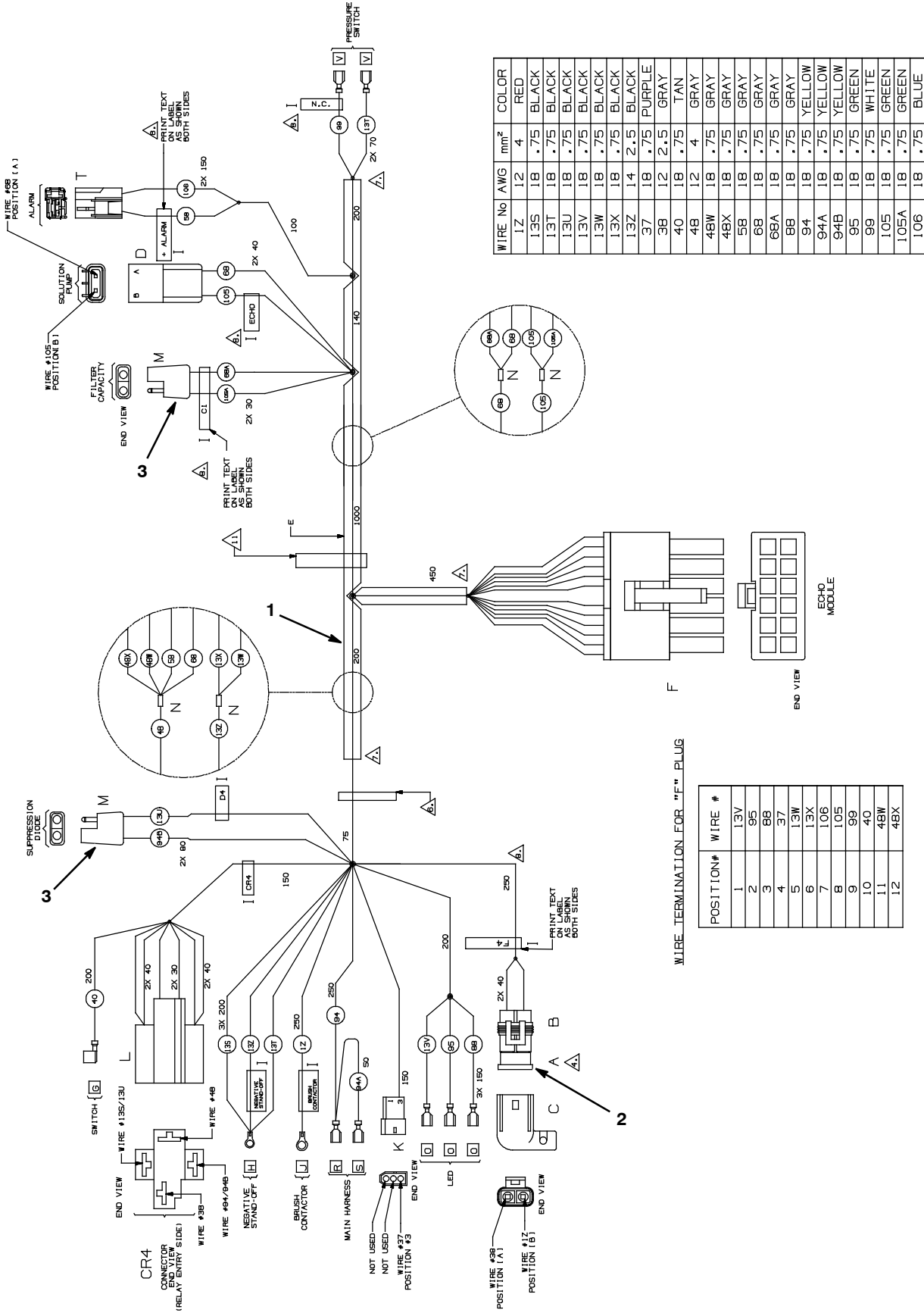


Ref.	Part No.	Serial Number	Description	Qty.
▽ 1	1013644	(10000000-20000000 )	Harness [Fast Option]	1
▲ 2	1016039	(10000000-20000000 )	Fuse, Blade, 007.5a, 32vdc	1

▽ ASSEMBLY

▲ INCLUDED IN ASSEMBLY

WIRE HARNESS GROUP, *ec-H2O* OPTION (S/N 10460662- )



WIRE No	AWG	mm <sup>2</sup>	COLOR
1Z	12	4	RED
13S	18	.75	BLACK
13T	18	.75	BLACK
13U	18	.75	BLACK
13V	18	.75	BLACK
13W	18	.75	BLACK
13X	18	.75	BLACK
13Z	14	2.5	BLACK
37	18	.75	PURPLE
38	12	2.5	GRAY
40	18	.75	TAN
48	12	4	GRAY
48W	18	.75	GRAY
48X	18	.75	GRAY
58	18	.75	GRAY
68	18	.75	GRAY
68A	18	.75	GRAY
88	18	.75	GRAY
94	18	.75	YELLOW
94A	18	.75	YELLOW
94B	18	.75	YELLOW
95	18	.75	GREEN
99	18	.75	WHITE
105	18	.75	GREEN
105A	18	.75	GREEN
106	18	.75	BLUE

WIRE TERMINATION FOR "F" PLUG

POSITION#	WIRE #
1	13V
2	95
3	88
4	37
5	13W
6	13X
7	106
8	105
9	99
10	40
11	48W
12	48X



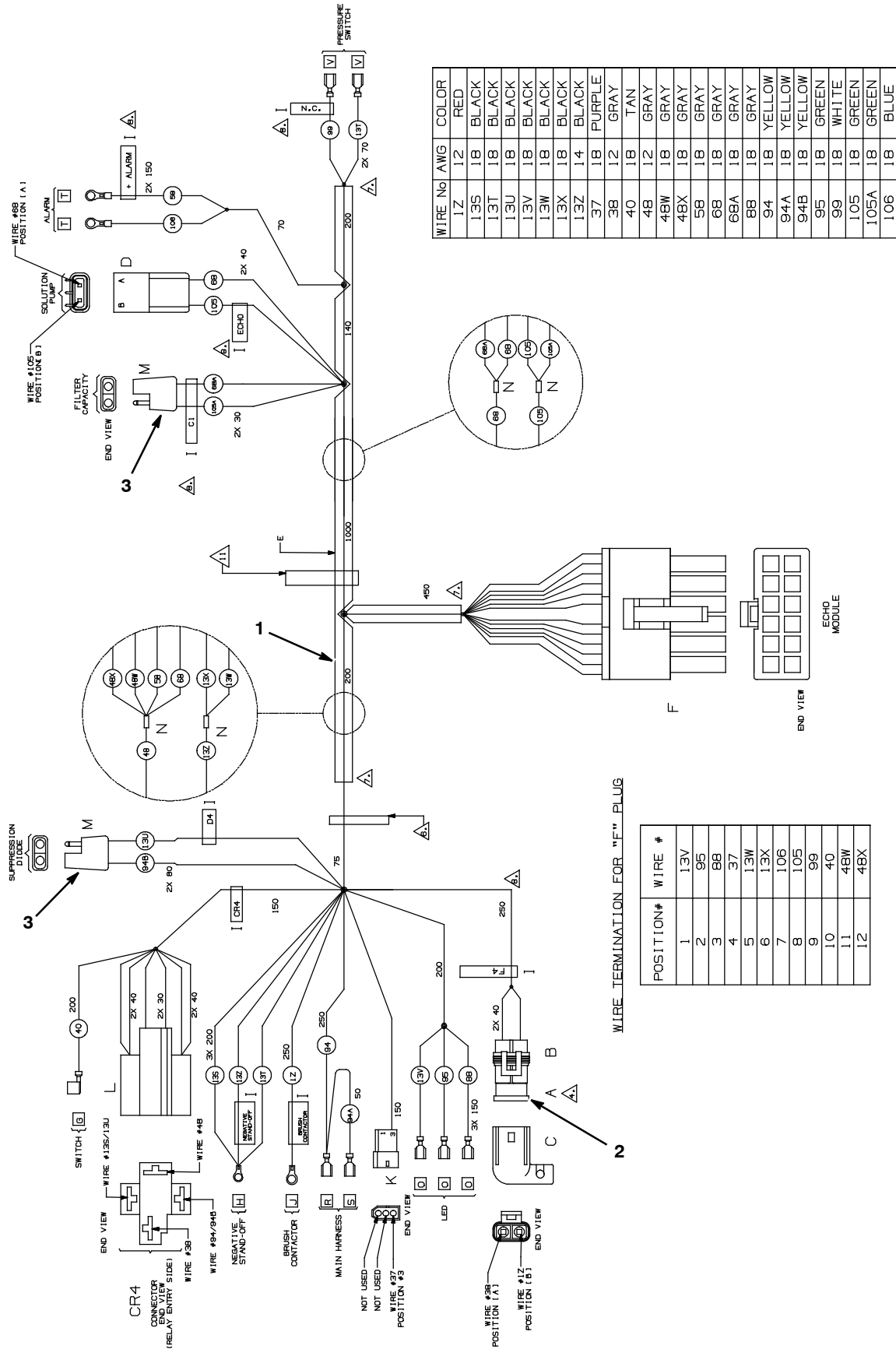
WIRE HARNESS GROUP, *ec-H2O* OPTION (S/N 10460662- )

	Ref.	Part No.	Serial Number	Description	Qty.
▽	1	1055408	(10460662- 20000000 )	Harness Assy, Wire [T3e Ec- H2o]	1
▲	2	1047470	(10000000- 20000000 )	Fuse, Blade, 010a, 32vdc, Red	1
▲	3	222290	(10000000- 20000000 )	Diode, Ele, Plug	2

▽ ASSEMBLY

▲ INCLUDED IN ASSEMBLY

## WIRE HARNESS GROUP, *ec-H2O* OPTION (S/N 1000000-10460661)



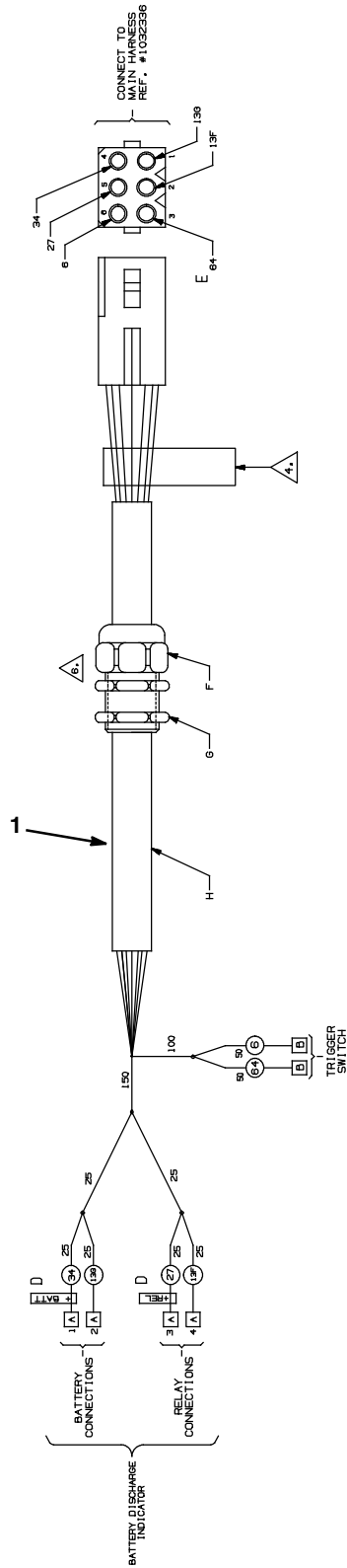
**WIRE HARNESS GROUP, *ec-H2O* OPTION (S/N 10000000- 10460661)**

	<b>Ref.</b>	<b>Part No.</b>	<b>Serial Number</b>	<b>Description</b>	<b>Qty.</b>
▽	1	1048108	(10000000- 10460661 )	Harness Assy, Wire [T3e Ec- H2o, P3]	1
▲	2	1047470	(10000000- 20000000 )	Fuse, Blade, 010a, 32vdc, Red	1
▲	3	222290	(10000000- 20000000 )	Diode, Ele, Plug	2

▽ ASSEMBLY

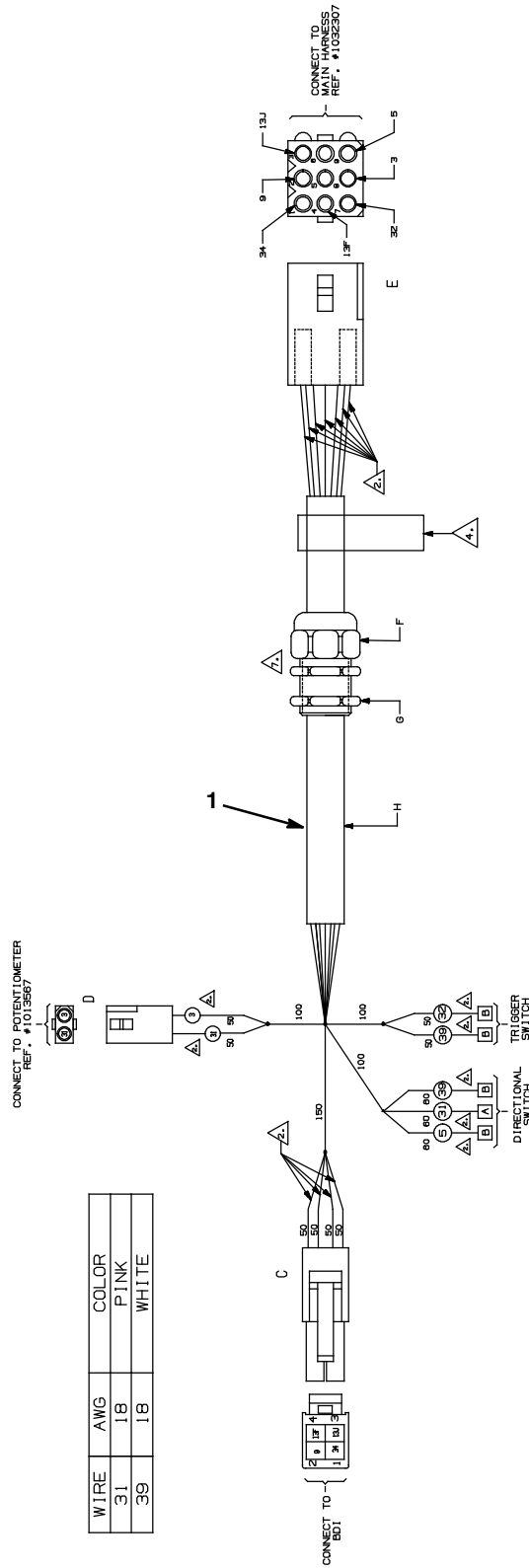
▲ INCLUDED IN ASSEMBLY

WIRE HARNESS GROUP, CONSOLE, BRUSH ASSIST MODEL



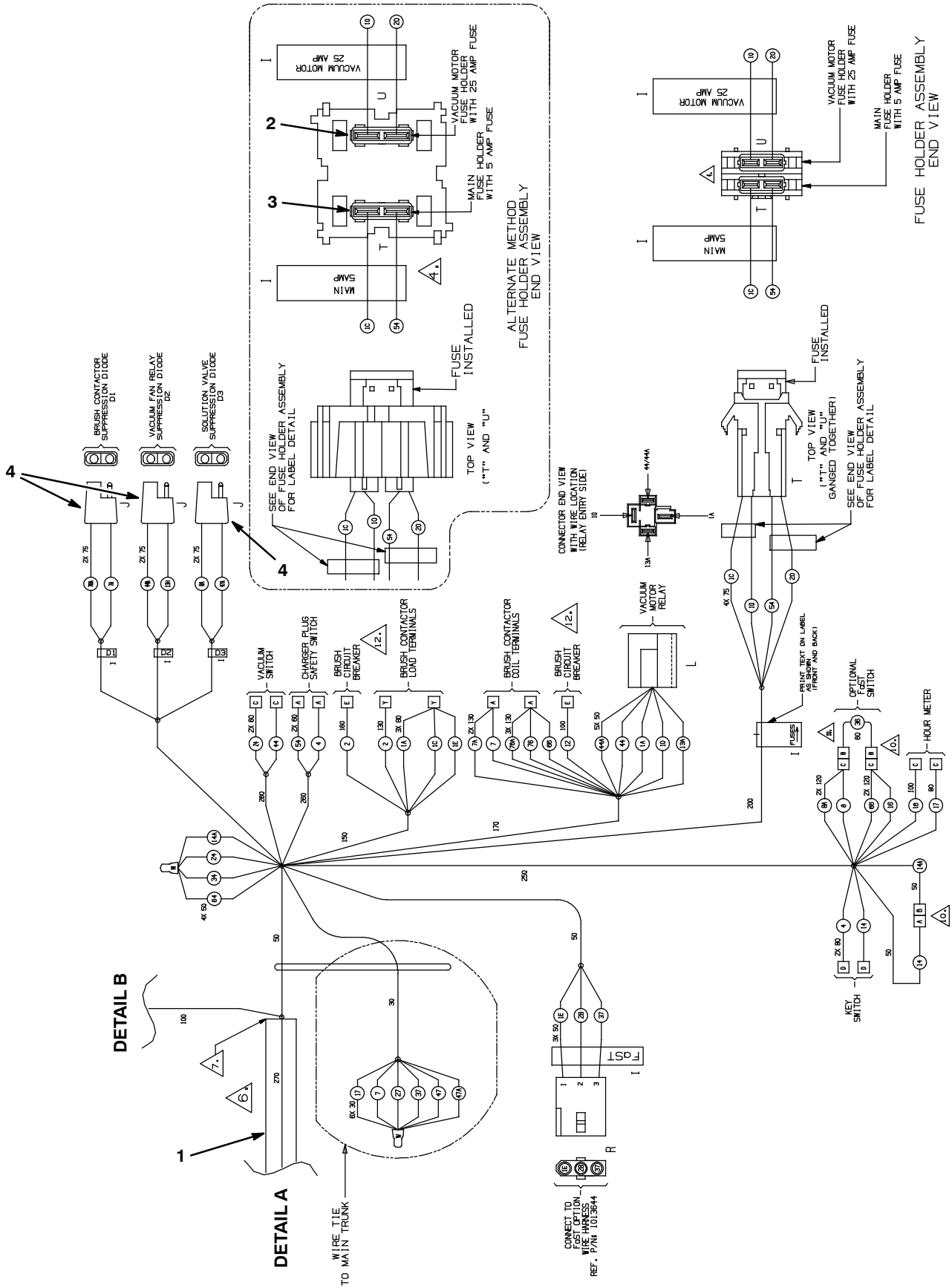
Ref.	Part No.	Serial Number	Description	Qty.
1	1032338	(10000000-20000000 )	Harness, Wire, Console, Push [Ss3]	1

WIRE HARNESS GROUP, CONSOLE, DRIVE MODEL



Ref.	Part No.	Serial Number	Description	Qty.
1	1032325	(10000000-20000000 )	Harness, Wire, Console, Drive [Ss3]	1

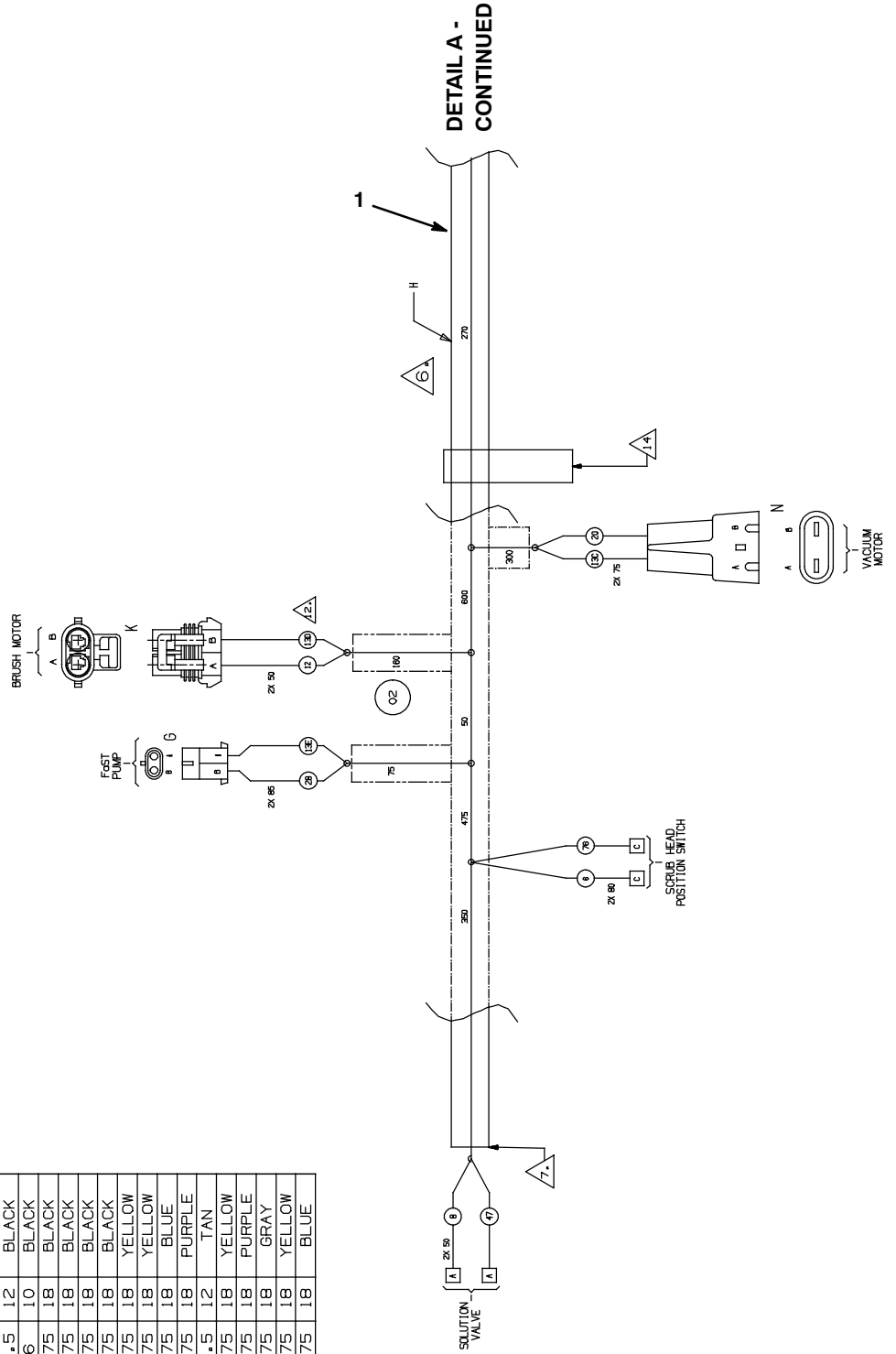
WIRE HARNESS GROUP, MAIN, BRUSH ASSIST MODEL



WIRE HARNESS GROUP, MAIN, BRUSH ASSIST MODEL - CONT'D

WIRE NO:	mm <sup>2</sup>	AWG	COLOR
37	.75	18	PURPLE
44	.75	18	YELLOW
44A	.75	18	YELLOW
47	.75	18	PURPLE
47A	.75	18	PURPLE
54	.75	18	YELLOW
64	.75	18	YELLOW
66	.75	18	BLUE
76	.75	18	BLUE
76A	.75	18	BLUE

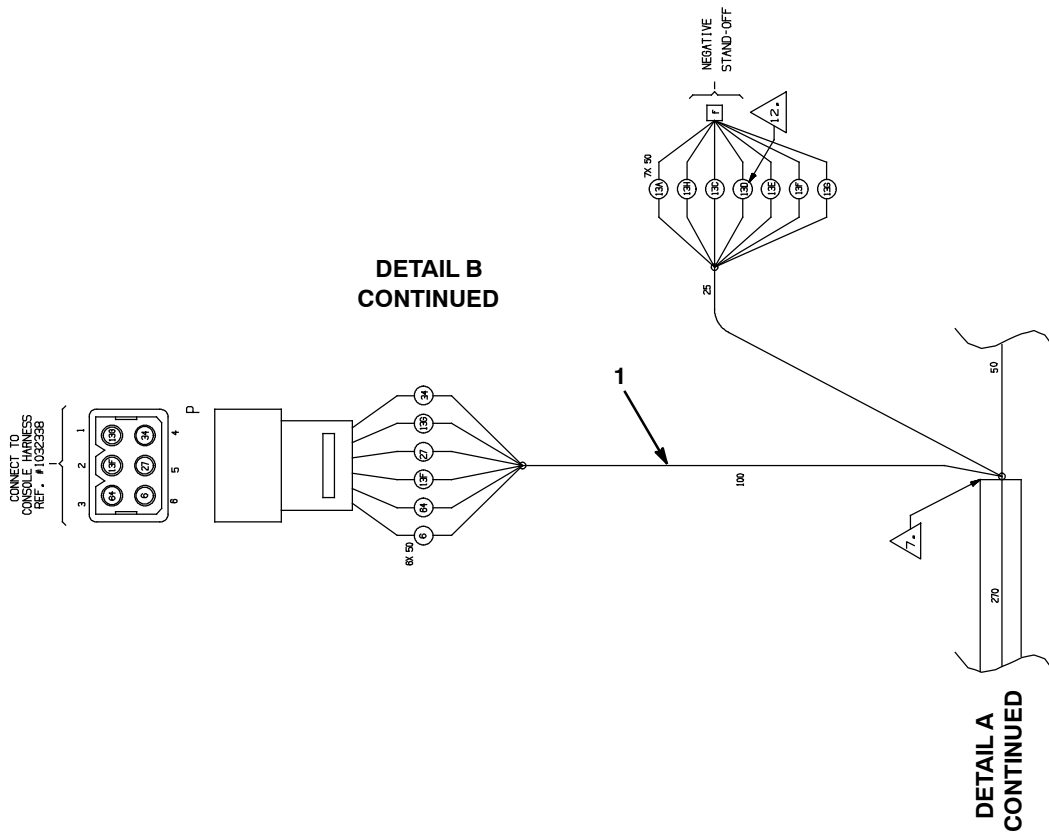
WIRE NO:	mm <sup>2</sup>	AWG	COLOR
1A	2.5	12	RED
1B	-	-	-
1C	.75	18	RED
1E	.75	18	RED
2	.6	10	BROWN
4	.75	18	YELLOW
6	.75	18	BLUE
7	.75	18	PURPLE
7A	.75	18	PURPLE
8	.75	18	GRAY
8A	.75	18	GRAY
10	2.5	12	TAN
12	.6	10	BROWN
13A	.75	18	BLACK
13B	-	-	-
13C	2.5	12	BLACK
13D	.6	10	BLACK
13E	.75	18	BLACK
13F	.75	18	BLACK
13G	.75	18	BLACK
13H	.75	18	BLACK
14	.75	18	YELLOW
14A	.75	18	YELLOW
16	.75	18	BLUE
17	.75	18	PURPLE
20	2.5	12	TAN
24	.75	18	YELLOW
27	.75	18	PURPLE
28	.75	18	GRAY
34	.75	18	YELLOW
36	.75	18	BLUE



DETAIL A -  
CONTINUED

# STANDARD PARTS

## WIRE HARNESS GROUP, MAIN, BRUSH ASSIST MODEL - CONT'D



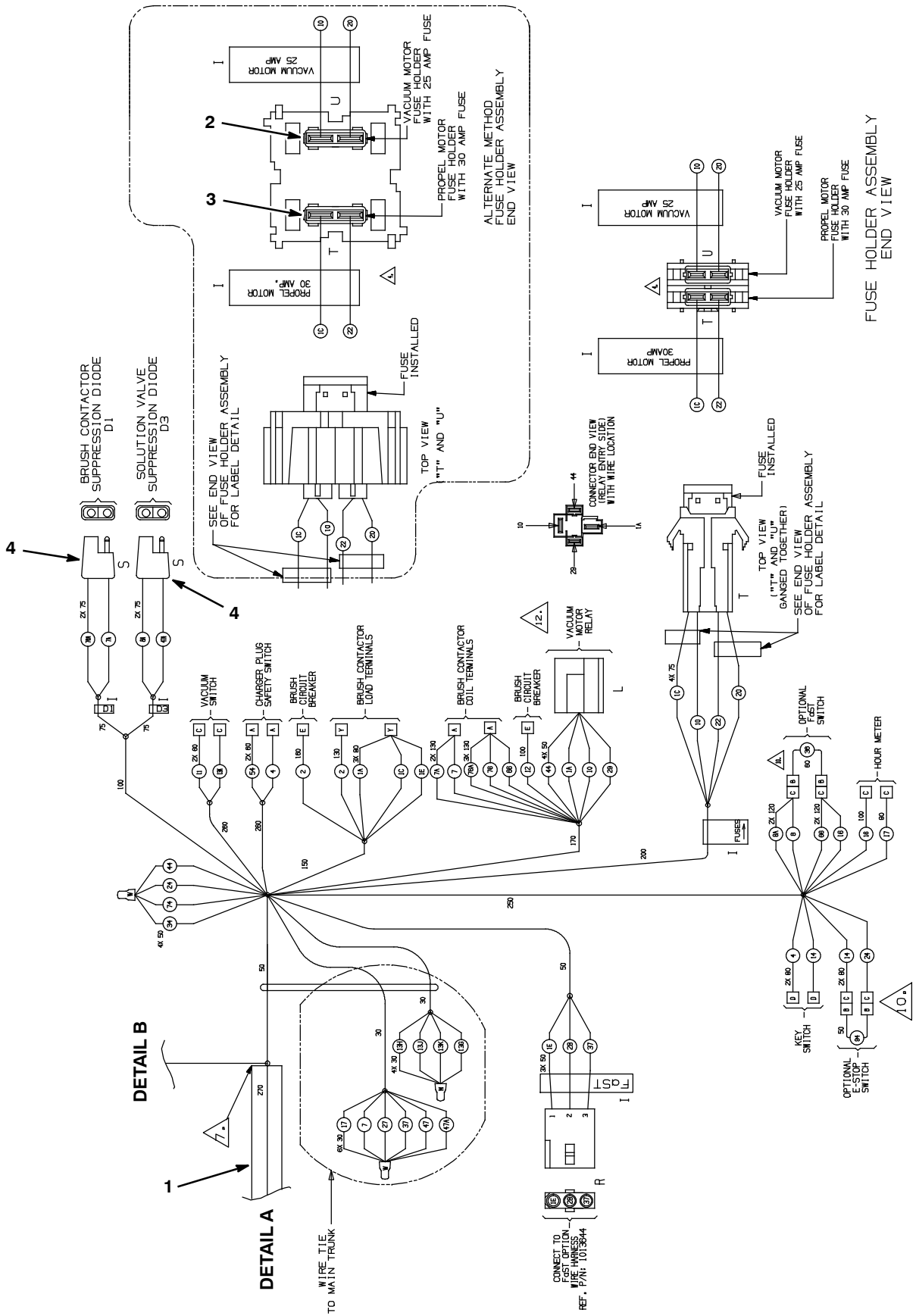
Ref.	Part No.	Serial Number	Description	Qty.
▽	1	1048288	(10000000-20000000 ) Harness, Main, Push [Ss3]	1
▲	2	1016040	(10000000-20000000 ) Fuse, Blade, 025a, 32vdc	1
▲	3	1016029	(10000000-20000000 ) Fuse, Blade, 005a, 32vdc	1
▲	4	222290	(10000000-20000000 ) Diode, Ele, Plug	3

▽ ASSEMBLY

▲ INCLUDED IN ASSEMBLY



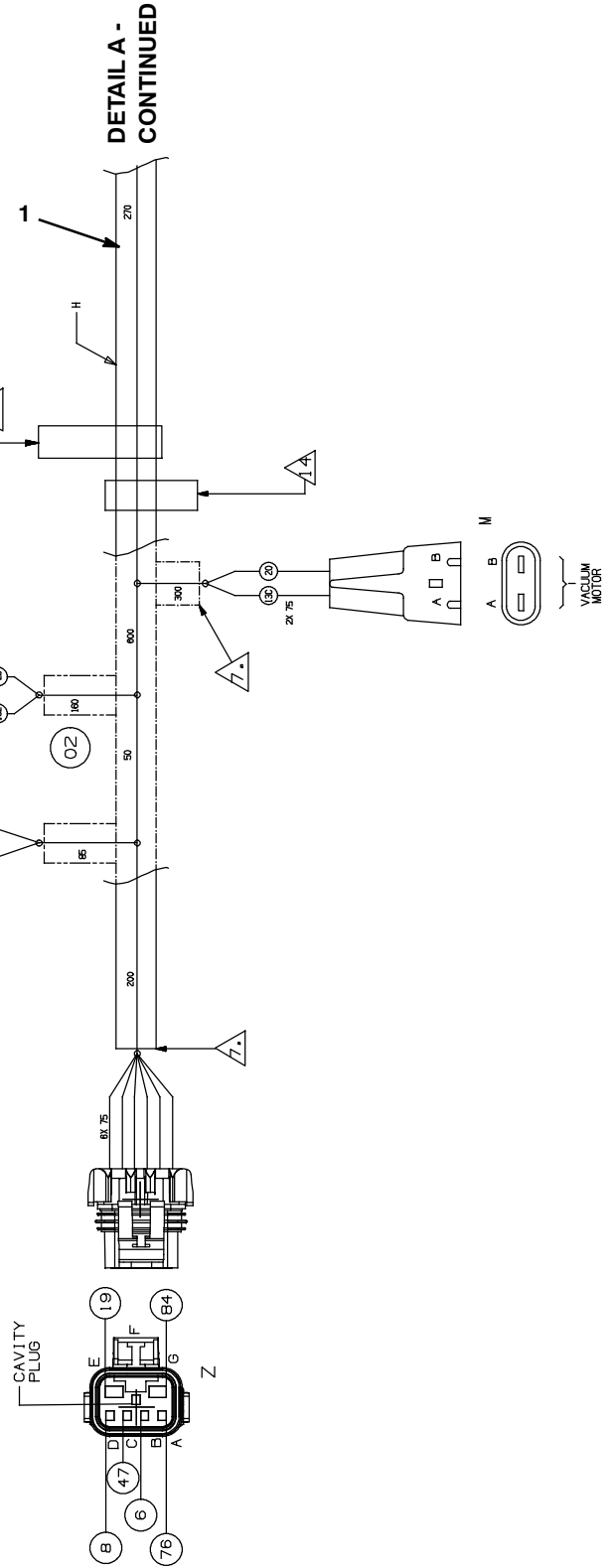
WIRE HARNESS GROUP, MAIN, DRIVE MODEL



WIRE HARNESS GROUP, MAIN, DRIVE MODEL - CONT'D

WIRE NO.	mm <sup>2</sup>	AWG	COLOR
1A	2.5	12	RED
1B	2.5	12	WHITE
20	2.5	12	TAN
21	-	-	-
22	2.5	12	BROWN
24	.75	18	YELLOW
27	.75	18	PURPLE
28	.75	18	GRAY
29	.75	18	WHITE
31	.75	18	PINK
32	.75	18	BROWN
34	.75	18	YELLOW
36	.75	18	BLUE
37	.75	18	PURPLE
44	.75	18	YELLOW
47	.75	18	PURPLE
47A	.75	18	PURPLE
48	.75	18	GRAY
54	.75	18	YELLOW
66	.75	18	BLUE
74	.75	18	YELLOW
76	.75	18	BLUE
76A	.75	18	BLUE
84	2.5	12	YELLOW
94	.75	18	YELLOW

WIRE NO.	mm <sup>2</sup>	AWG	COLOR
1A	2.5	12	RED
1B	-	-	-
1C	2.5	12	RED
1E	.75	18	RED
2	6	10	BROWN
3	.75	18	ORANGE
4	.75	18	YELLOW
5	.75	18	GREEN
6	.75	18	BLUE
7	.75	18	PURPLE
7A	.75	18	PURPLE
8	.75	18	GRAY
8A	.75	18	GRAY
9	.75	18	WHITE
10	2.5	12	TAN
11	.75	18	PINK
12	6	10	BROWN
13A	2.5	12	BLACK
13B	-	-	-
13C	2.5	12	BLACK
13D	6	10	BLACK
13E	.75	18	BLACK
13F	.75	18	BLACK
13G	.75	18	BLACK
13H	.75	18	BLACK
13J	.75	18	BLACK
13K	.75	18	BLACK
14	.75	18	YELLOW
16	.75	18	BLUE
17	.75	18	PURPLE



WIRE HARNESS GROUP, MAIN, DRIVE MODEL - CONT'D

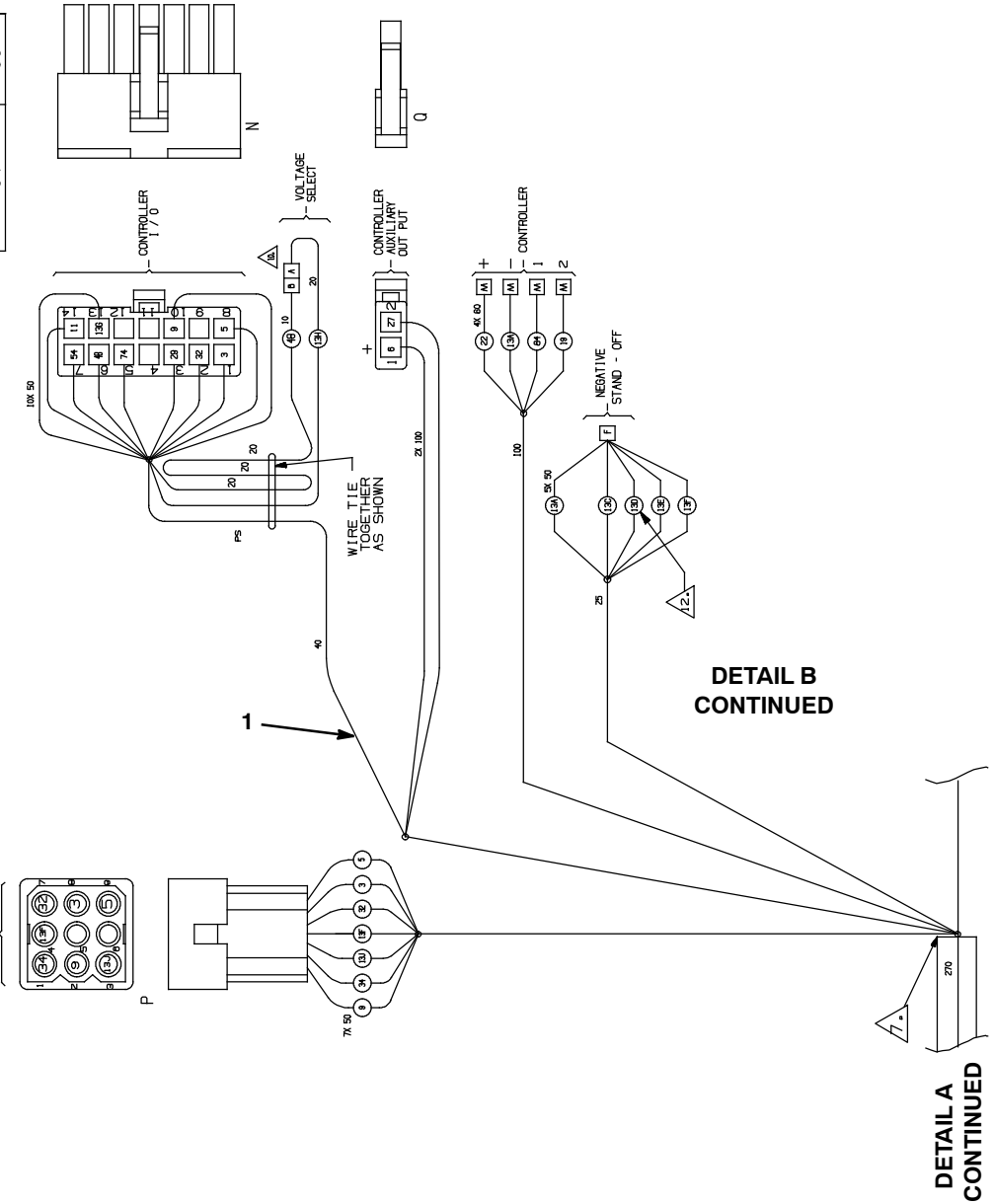
WIRE TERMINATION FOR "N" PLUG

POSITION #	WIRE #
1	3
2	32
3	29
4	-
5	74
6	48
7	54
8	5
9	-
10	9
11	-
12	-
13	13G
14	11

WIRE TERMINATION FOR "P" PLUG

POSITION #	WIRE #
1	34
2	9
3	13J
4	13F
5	-
6	-
7	32
8	3
9	5

CONNECT TO  
CONSOLE HARNESS  
REF. # 1032325

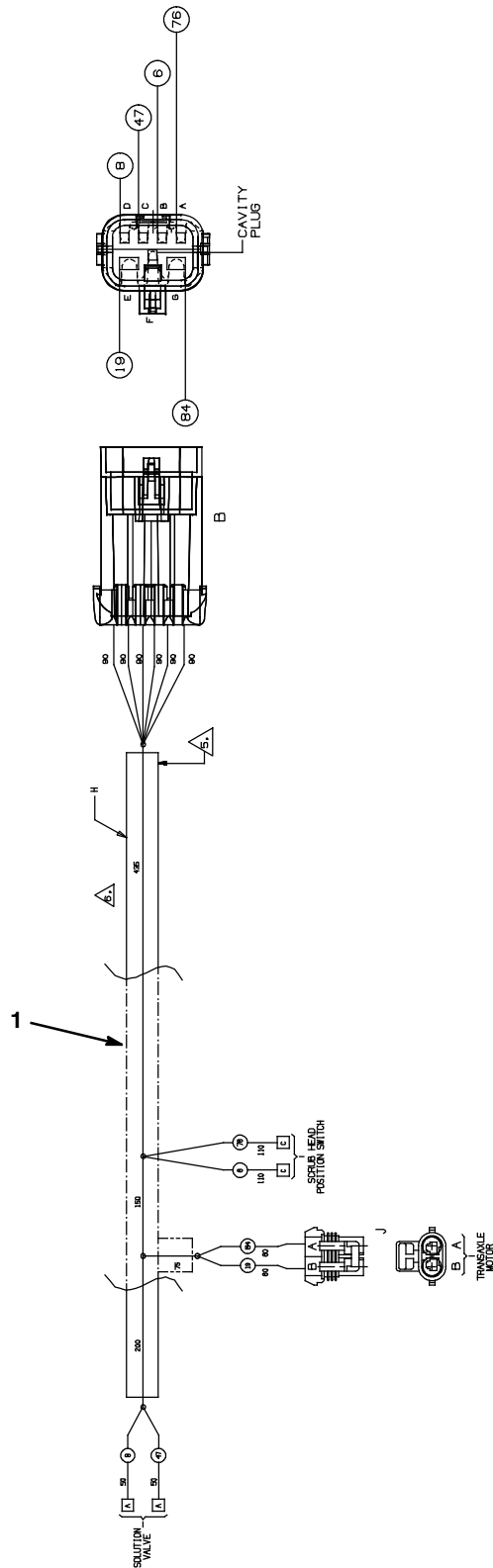


Ref.	Part No.	Serial Number	Description	Qty.
▽	1	1048337	(10000000- 20000000 ) Harness, Main, Drive [Ss3]	1
▲	2	1016040	(10000000- 20000000 ) Fuse, Blade, 025a, 32vdc	1
▲	3	762516	(10000000- 20000000 ) Fuse, Blade, 030a, 32vdc	1
▲	4	222290	(10000000- 20000000 ) Diode, Ele, Plug	2

▽ ASSEMBLY

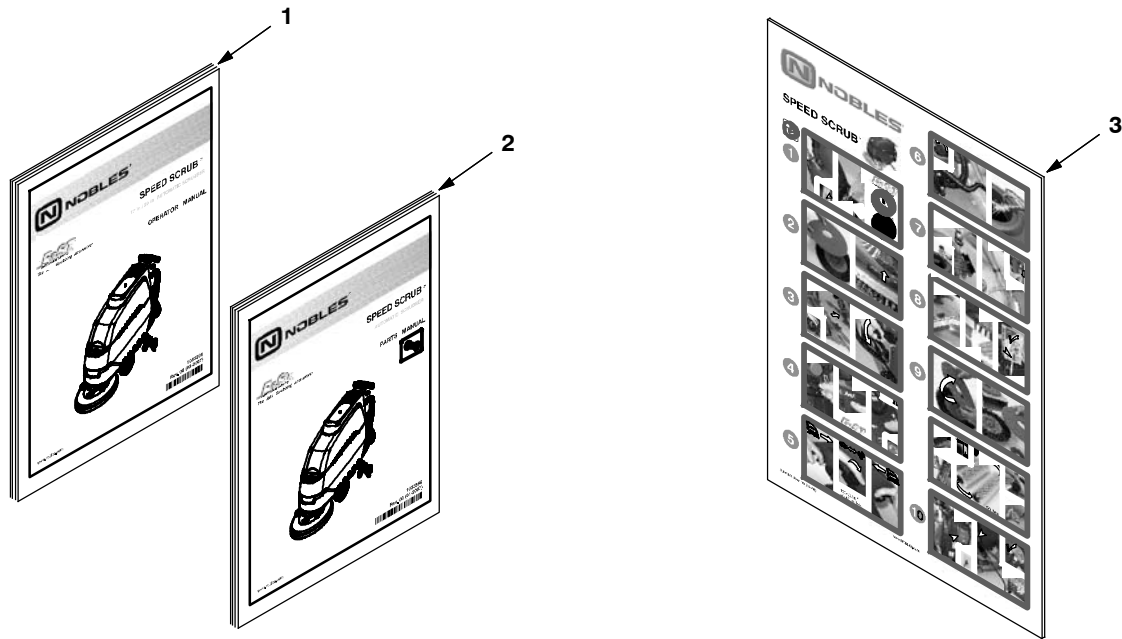
▲ INCLUDED IN ASSEMBLY

WIRE HARNESS GROUP, FRAME, DRIVE MODEL



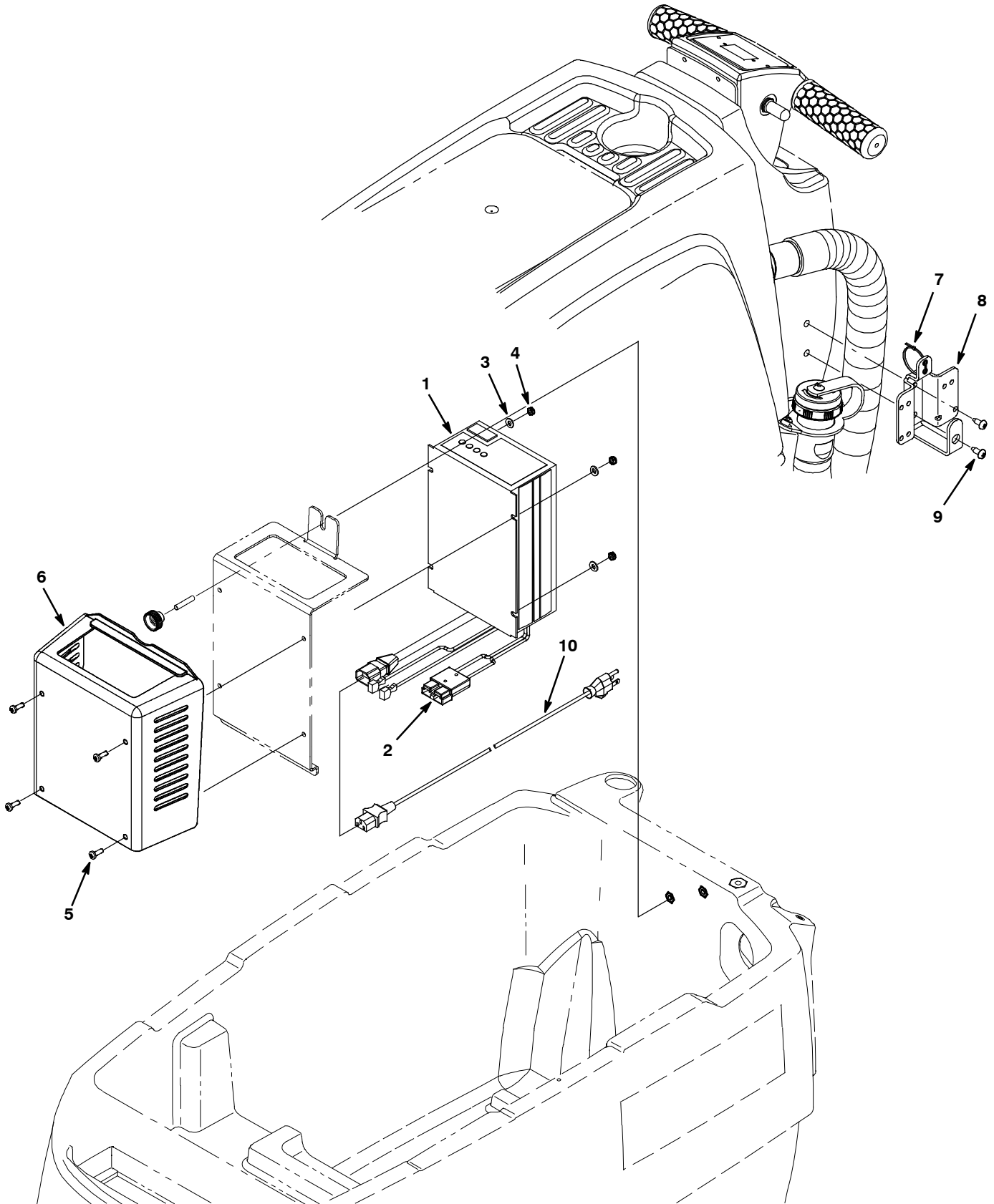
Ref.	Part No.	Serial Number	Description	Qty.
1	1019397	(10000000-20000000 )	Harness, Frame, Drive [T3 - Na]	1

DOCUMENTATION GROUP



Ref.	Part No.	Serial Number	Description	Qty.
1	1033583	(10000000- 20000000 )	Manual, Oprtr, En [Ss3] English	1
1	1033584	(10000000- 20000000 )	Manual, Oprtr, Es [Ss3] Spanish	1
1	1033585	(10000000- 20000000 )	Manual, Oprtr, Fr [Ss3] French	1
2	9005453	(10000000- 20000000 )	Manual, Parts [Ss3] Na	1
3	1033587	(10000000- 20000000 )	Instr, Use & Care, Txtls [Ss3]	1

ON-BOARD BATTERY CHARGER GROUP, STANDARD & FaST MODEL  
(S/N 10470899- )



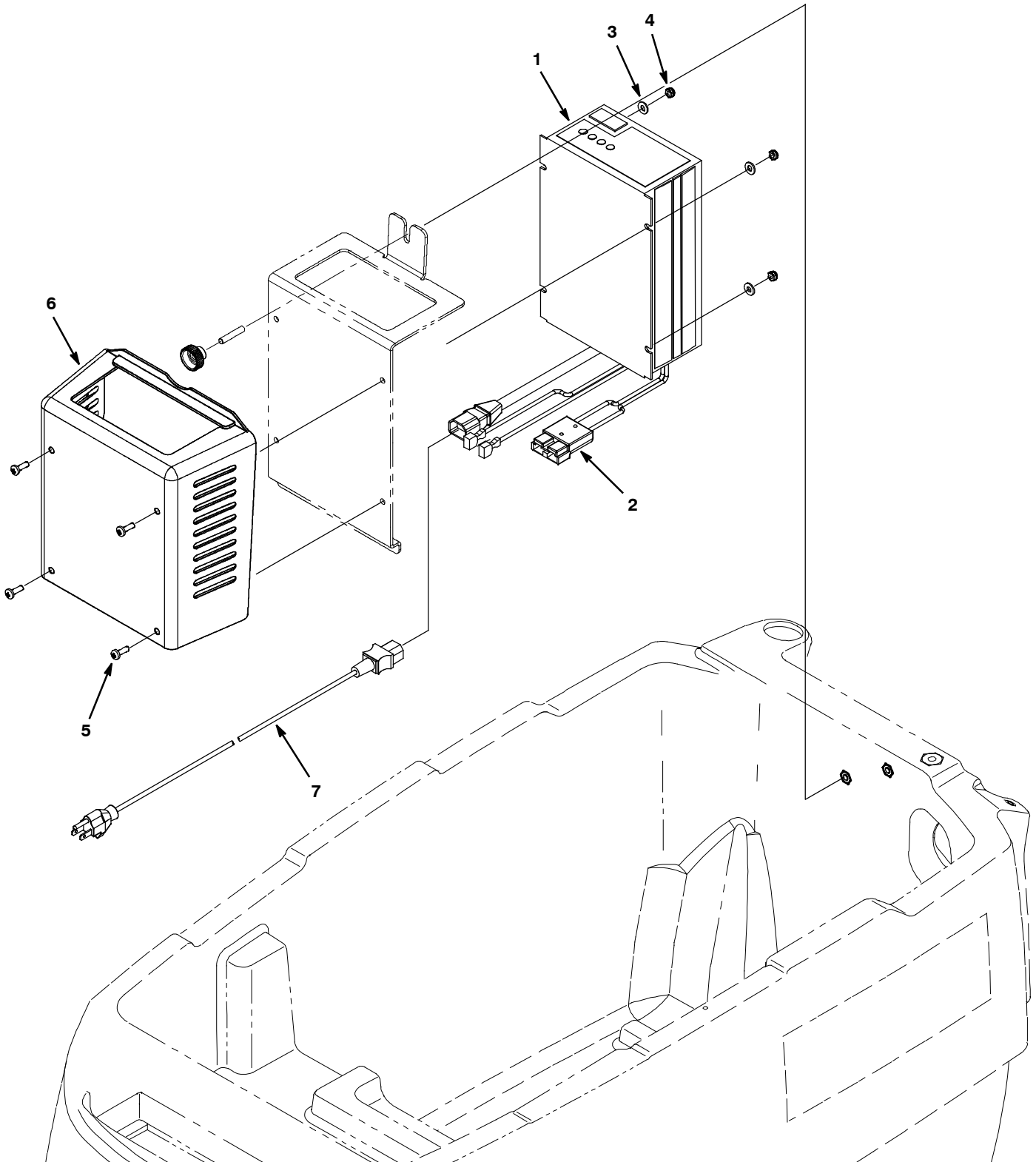
**ON-BOARD BATTERY CHARGER GROUP, STANDARD & FaST MODEL  
(S/N 10470899- )**

	Ref.	Part No.	Serial Number	Description	Qty.
▽		9007343	(10470899- 20000000 )	Charger Kit, On- Board [T3e/Ss3]	1
▲▽	1	1059522	(10470899- 20000000 )	Charger, 24vdc 11a 100/240vac 50/60hz	1
▲▲	2	605387	(10000000- 20000000 )	Connector, Anderson, 50a,Red W/O Contact	1
▲	3	01683	(10000000- 20000000 )	Washer, Flat, 0.22b 0.50d .05, Ss [#10]	4
▲	4	09739	(10000000- 20000000 )	Nut, Hex, Lock, M5 X 0.80, NI, Ss	4
▲	5	06934	(10000000- 20000000 )	Screw, Pan, Phl, M5 X 0.80 X 20, 4.8	4
▲	6	1040600	(10000000- 20000000 )	Cover, Charger [Ss3]	1
▲	7	130773	(10470899- 20000000 )	Tie, Cable, Nyl, 11.0l, .14w, 3.0 Max. D	6
▲	8	1061192	(10470899- 20000000 )	Retainer,Cord, Charger [Ss3/T3e]	1
▲	9	1009324	(10470899- 20000000 )	Screw, Pan, Phl, 10- 16 X 0.50,Blk[Typ17]	2
▲	N/S	1045989	(10000000- 20000000 )	Harness, Chrgr [Onboard, T3e/Ss3 Ec- H2o]	1
	10	1025642	(10000000- 20000000 )	Cord, Power, 16/3, 4.5 Meters, Blk [Us]	1
	10	989584	(10000000- 20000000 )	Power Cord With Plug, [125v12a]#4.5m (Japan)	1
	10	1026330	(10000000- 20000000 )	Cord, Power,1.0mm2 X 2.5 Meters [ China]	1
	10	1026325	(10000000- 20000000 )	Cord, Power, 1.0mm2 X 2.5 Meters [Aus]	1
	10	1032849	(10000000- 20000000 )	Cord, Power, 4.5 Meter, Blk [Ce]	1

▽ ASSEMBLY

▲ INCLUDED IN ASSEMBLY

**ON-BOARD BATTERY CHARGER GROUP, STANDARD & FaST MODEL  
(S/N 1000000-10470898)**





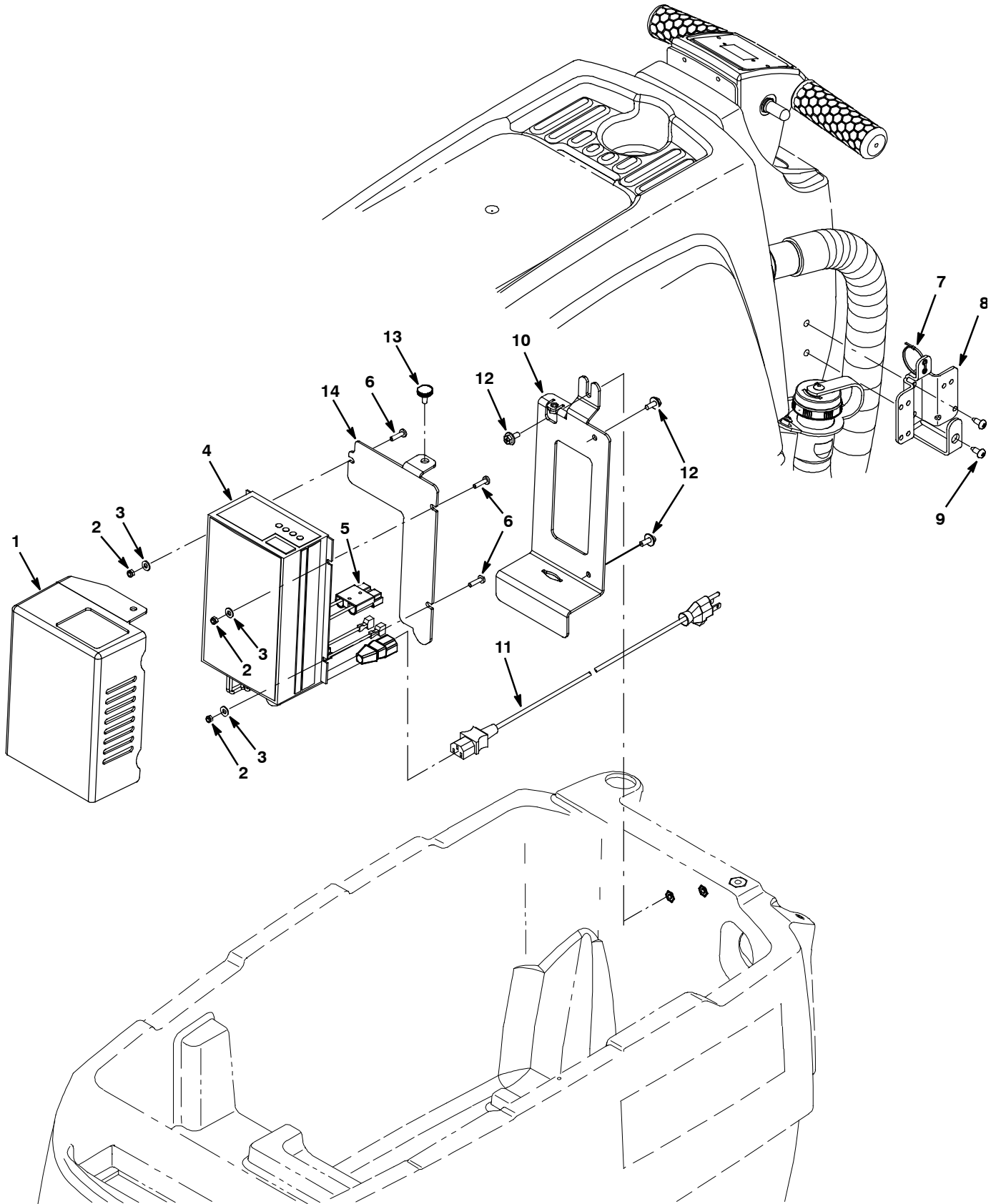
**ON-BOARD BATTERY CHARGER GROUP, STANDARD & FaST MODEL  
(S/N 10000000- 10470898)**

Ref.	Part No.	Serial Number	Description	Qty.
▽	N/A	(10000000- 10470898 )	Charger Kit [On- Board, T3e/Ss3] (Replaced By Kit 9007343)	1
▲▽	1	N/A	(10000000- 10470898 ) Charger, 24vdc 11a 100/240vac 50/60hz (Replaced By Kit 9007343)	1
▲▲	2	605387	(10000000- 20000000 ) Connector, Anderson, 50a,Red W/O Contact	1
▲	3	01683	(10000000- 20000000 ) Washer, Flat, 0.22b 0.50d .05, Ss [#10]	4
▲	4	09739	(10000000- 20000000 ) Nut, Hex, Lock, M5 X 0.80, NI, Ss	4
▲	5	06934	(10000000- 20000000 ) Screw, Pan, Phl, M5 X 0.80 X 20, 4.8	4
▲	6	1040600	(10000000- 20000000 ) Cover, Charger [Ss3]	1
▲	N/S	1045989	(10000000- 20000000 ) Harness, Chrgr [Onboard, T3e/Ss3 Ec- H2o]	1
	7	1025642	(10000000- 20000000 ) Cord, Power, 16/3, 4.5 Meters, Blk [Us] (Us/Japan)	1
	7	1026330	(10000000- 20000000 ) Cord, Power, 1.0mm2 X 2.5 Meters [ China]	1
	7	1026325	(10000000- 20000000 ) Cord, Power, 1.0mm2 X 2.5 Meters [Aus]	1
	7	1032849	(10000000- 20000000 ) Cord, Power, 4.5 Meter, Blk [Ce]	1

▽ ASSEMBLY

▲ INCLUDED IN ASSEMBLY

ON-BOARD BATTERY CHARGER GROUP, ec-H2O MODEL  
(S/N 10470899- )



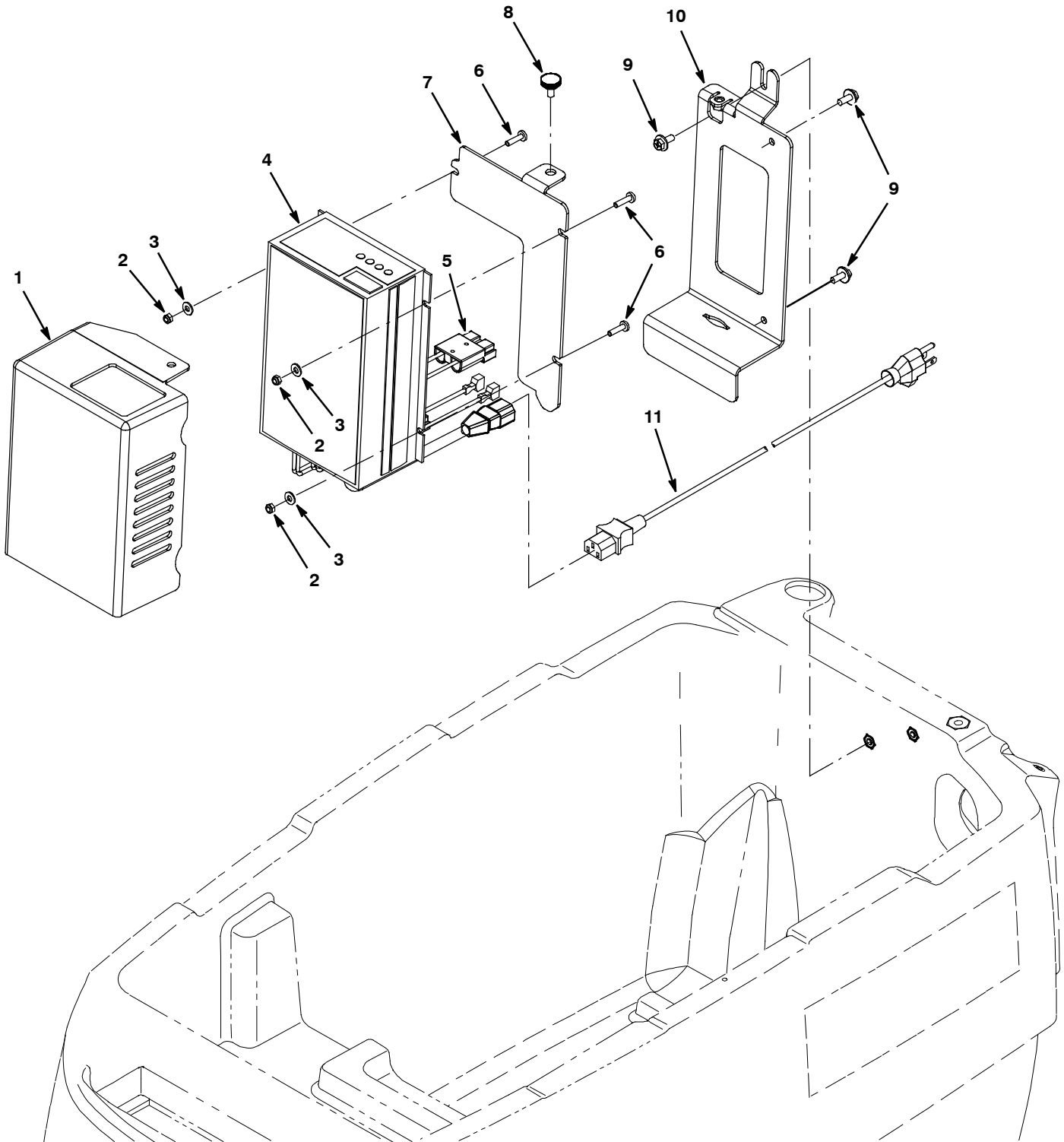
**ON-BOARD BATTERY CHARGER GROUP, ec-H2O MODEL  
(S/N 10470899- )**

	<b>Ref.</b>	<b>Part No.</b>	<b>Serial Number</b>	<b>Description</b>	<b>Qty.</b>
▽		9007344	(10470899- 20000000 )	Charger Kit [On- Board, T3e/Ss3 Ec- H2o]	1
▲	1	1045985	(10000000- 20000000 )	Cover, Chrgr [T2 Ec- H2o Concept]	1
▲	2	09739	(10000000- 20000000 )	Nut, Hex, Lock, M5 X 0.80, NI, Ss	3
▲	3	01683	(10000000- 20000000 )	Washer, Flat, 10, Ss	3
▲▽	4	1059522	(10470899- 20000000 )	Charger, 24vdc 11a 100/240vac 50/60hz	1
▲▲	5	605387	(10000000- 20000000 )	Connector, Anderson, 50a,Red W/O Contact	1
▲	6	06934	(10000000- 20000000 )	Screw, Pan, Phl, M5 X 0.80 X 20, 4.8	3
▲	7	130773	(10470899- 20000000 )	Tie, Cable, Nyl, 11.0l, .14w, 3.0 Max. D	6
▲	8	1061192	(10470899- 20000000 )	Retainer,Cord, Charger [Ss3/T3e]	1
▲	9	1009324	(10470899- 20000000 )	Screw, Pan, Phl, 10- 16 X 0.50,Blk[Typ17]	2
▲	N/S	1045989	(10000000- 20000000 )	Harness, Chrgr [Onboard, T3e/Ss3 Ec- H2o]	1
	10	1045961	(10000000- 20000000 )	Brkt, Mntg, Echo, Chrgr [Ss3/T3e]	1
	11	1025642	(10000000- 20000000 )	Cord, Power, 16/3, 4.5 Meters, Blk [Us]	1
	11	989584	(10000000- 20000000 )	Power Cord With Plug, [125v12a]#4.5m (Japan)	1
	11	1026330	(10000000- 20000000 )	Cord, Power,1.0mm2 X 2.5 Meters [ China]	1
	11	1026325	(10000000- 20000000 )	Cord, Power, 1.0mm2 X 2.5 Meters [Aus]	1
	11	1032849	(10000000- 20000000 )	Cord, Power, 4.5 Meter, Blk [Ce]	1
	12	1034731	(10000000- 20000000 )	Screw, Hex, M6 X 1.00 X 16, Ss, Sems	3
	13	1046631	(10000000- 20000000 )	Knob,Rnd,19mmod,M6x20,Stud,Plstc,Pl	1
	14	1045966	(10000000- 20000000 )	Brkt, Mntg, Chrgr [Ss3] W/Echo	1

▽ ASSEMBLY

▲ INCLUDED IN ASSEMBLY

ON-BOARD BATTERY CHARGER GROUP, ec-H2O MODEL  
(S/N 1000000-10470898)



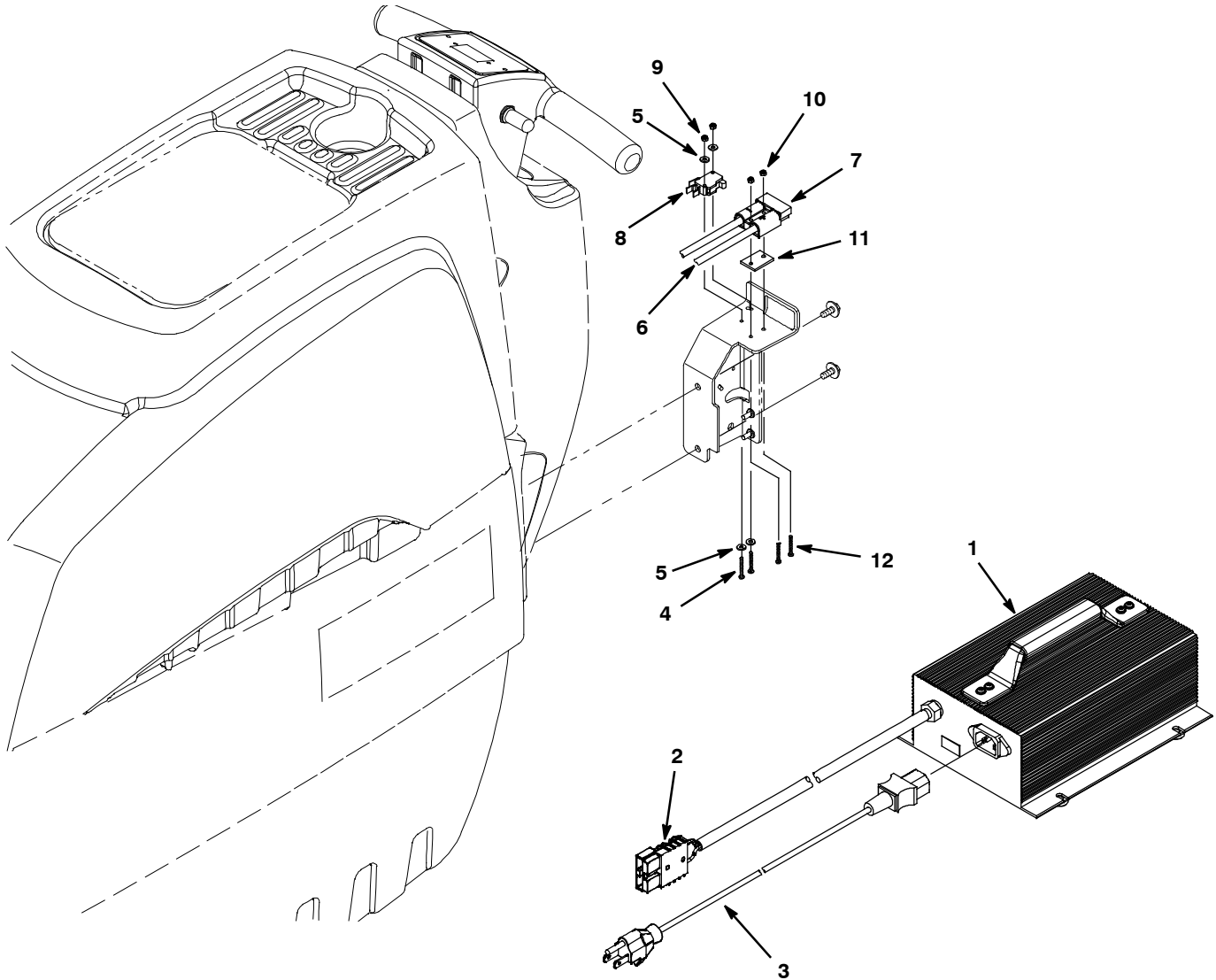
**ON-BOARD BATTERY CHARGER GROUP, ec-H2O MODEL  
(S/N 10000000- 10470898)**

<b>Ref.</b>	<b>Part No.</b>	<b>Serial Number</b>	<b>Description</b>	<b>Qty.</b>
▽	N/A	(10000000- 10470898 )	Charger Kit [On- Board, T3e/Ss3 Ec- H2o] (Replaced By Kit 9007344)	1
▲	1 1045985	(10000000- 20000000 )	Cover, Chrgr [T2], Echo Concept	1
▲	2 09739	(10000000- 20000000 )	Nut, Hex, Lock, M5 X 0.80, NI, Ss	3
▲	3 01683	(10000000- 20000000 )	Washer, Flat, 10, Ss	3
▲▽	4 N/A	(10000000- 10470898 )	Charger, 24vdc 11a 100/240vac 50/60hz (Replaced By Kit 9007344)	1
▲▲	5 605387	(10000000- 20000000 )	Connector, Anderson, 50a,Red W/O Contact	1
▲	6 06934	(10000000- 20000000 )	Screw, Pan, Phl, M5 X 0.80 X 20, 4.8	3
▲	N/S 1045989	(10000000- 20000000 )	Harness, Chrgr [Onboard, T3e/Ss3 Ec- H2o]	1
	7 1045966	(10000000- 20000000 )	Bracket, Mtg, Chrgr [Ss3 Ec- H2o]	1
	8 1046631	(10000000- 20000000 )	Knob,Rnd,19mmod,M6x20,Stud,Plstc,Pl	1
	9 1034731	(10000000- 20000000 )	Screw, Hex, M6 X 1.00 X 16, Ss, Sems	3
	10 1045961	(10000000- 20000000 )	Bracket, Mtg, Chrgr [Ss3/T3e Ec- H2o]	1
	11 1025642	(10000000- 20000000 )	Cord, Power, 16/3, 4.5 Meters, Blk [Us] (Us/Japan)	1
	11 1026330	(10000000- 20000000 )	Cord, Power, 1.0mm2 X 2.5 Meters [ China]	1
	11 1026325	(10000000- 20000000 )	Cord, Power, 1.0mm2 X 2.5 Meters [Aus]	1
	11 1032849	(10000000- 20000000 )	Cord, Power, 4.5 Meter, Blk [Ce]	1

▽ ASSEMBLY

▲ INCLUDED IN ASSEMBLY

OFF-BOARD BATTERY CHARGER GROUP

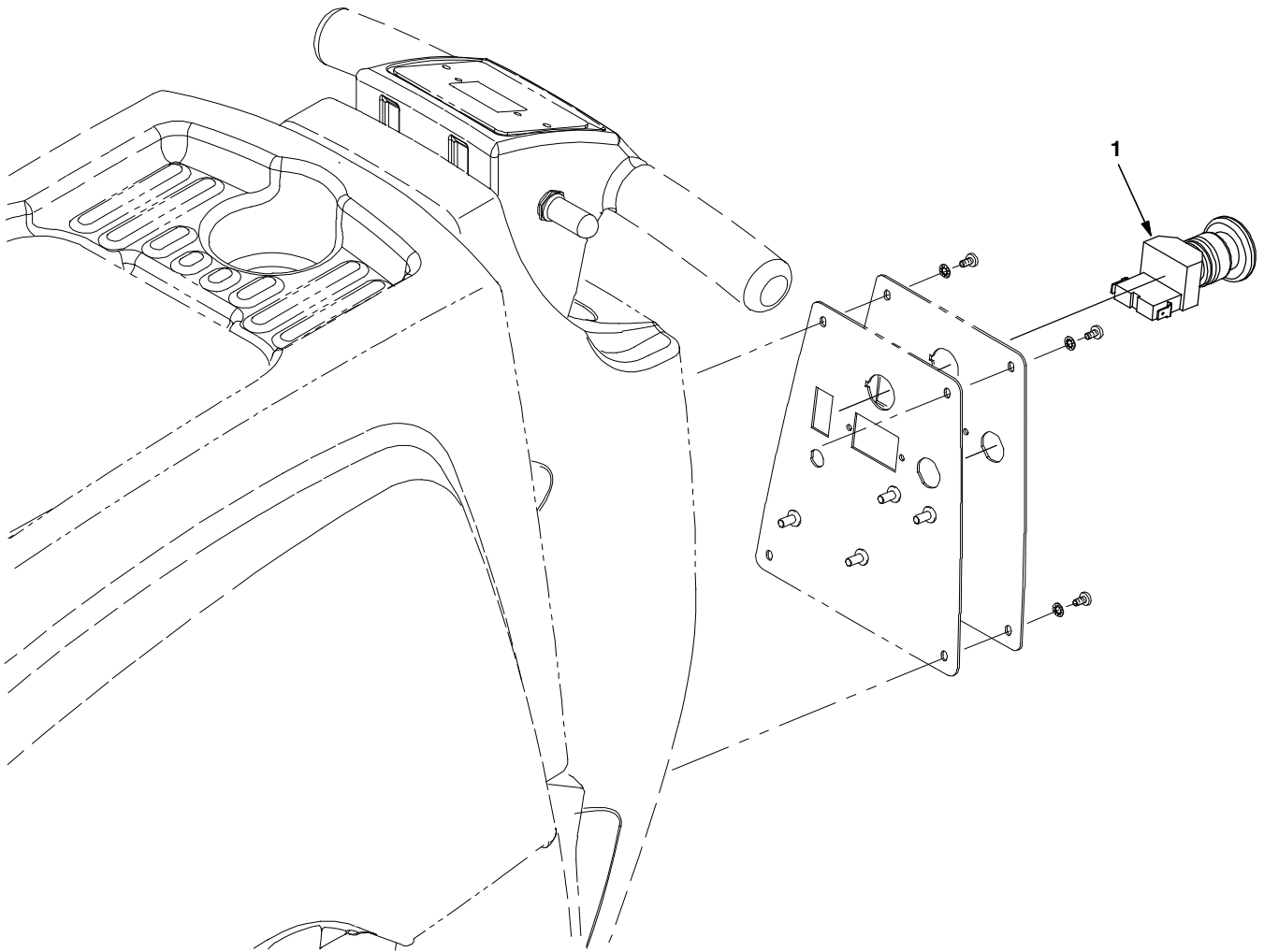


Ref.	Part No.	Serial Number	Description	Qty.
▽	9003347	(10000000-20000000 )	Kit, Charger, Off- Board, 120vac, 24vdc	1
▲▽	1 1056034	(10000000-20000000 )	Charger, 24vdc, 11a Var Vac 1ph 50/60hz	1
▲▲	2 605387	(10000000-20000000 )	Connector, Anderson, 50a,Red W/O Contact	1
▲	3 1025642	(10000000-20000000 )	Cord, Power, 16/3, 4.5 Meters, Blk [Us]	1
3	989584	(10000000-20000000 )	Power Cord With Plug, [125v12a]#4.5m (Japan)	1
▲	4 06922	(10000000-20000000 )	Screw, Pan, M3 X 0.50 X 20, 4.8	2
▲	5 41578	(10000000-20000000 )	Washer, Flat, #06, Ss	4
▲▽	6 1033362	(10000000-20000000 )	Harness, Chrgr [T3e - Ss3]	1
▲▲	7 605387	(10000000-20000000 )	Connector, Anderson, 50a,Red W/O Contact	1
▲	8 611005	(10000000-20000000 )	Switch, Rlr, 16a, Micro	1
▲	9 579211	(10000000-20000000 )	Nut, Hex, Lock, M3 X 0.50, Ss	2
▲	10 33932	(10000000-20000000 )	Nut, Hex, Lock, M4 X 0.70, NI, Ss	2
▲	11 603331	(10000000-20000000 )	Spacer, Plug, Chrgr	1
▲	12 1033197	(10000000-20000000 )	Screw, Pan, M4x0.7x24, Phl, Ss [7985]	2

▽ ASSEMBLY

▲ INCLUDED IN ASSEMBLY

EMERGENCY STOP BUTTON GROUP

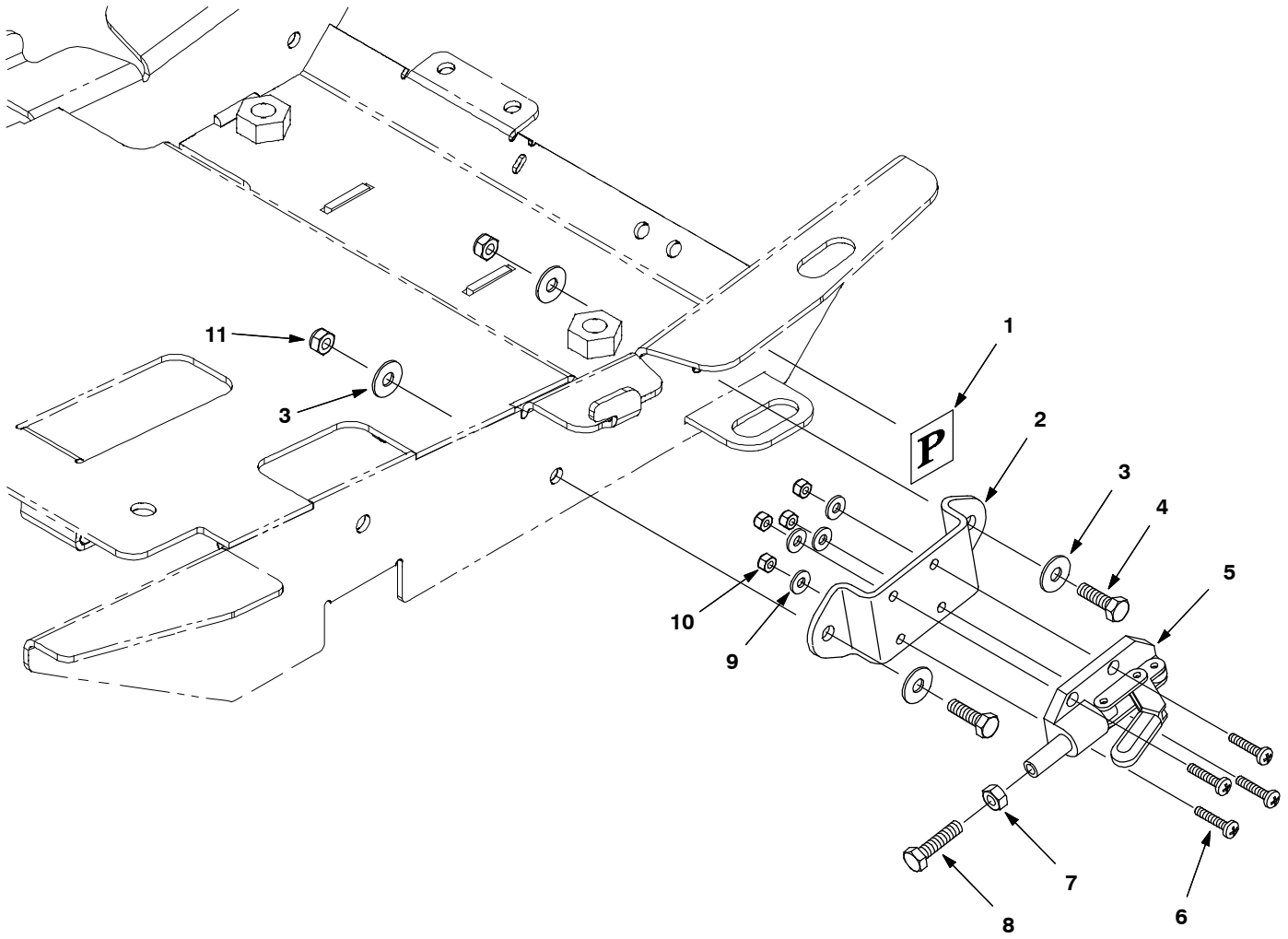


Ref.	Part No.	Serial Number	Description	Qty.
▽	9003350	(10000000-20000000 )	Kit, E- Stop	1
▲ 1	1011735	(10000000-20000000 )	Switch, Safety, Shutoff	1

▽ ASSEMBLY

▲ INCLUDED IN ASSEMBLY

PARKING BRAKE GROUP





**PARKING BRAKE GROUP**

	<b>Ref.</b>	<b>Part No.</b>	<b>Serial Number</b>	<b>Description</b>	<b>Qty.</b>
▽		9003351	(10000000- 20000000 )	Kit, Parking Brake	1
▲	1	600624	(10000000- 20000000 )	Label, Parking Brake, Symbol	1
▲	2	1013840	(10000000- 20000000 )	Bracket, Brake, Frame	1
▲	3	01684	(10000000- 20000000 )	Washer, Flat, 0.27b 0.69d .05, Ss	4
▲	4	08716	(10000000- 20000000 )	Screw, Hex, M6 X 1.0 X 20, Ss	2
▲	5	1013718	(10000000- 20000000 )	Clamp, Brake, Parking	1
▲	6	12323	(10000000- 20000000 )	Screw, Pan, M4 X 0.7 X 20, Ss	4
▲	7	07785	(10000000- 20000000 )	Nut, Hex, Std, M6 X 1.00, A2, Ss	1
▲	8	09007	(10000000- 20000000 )	Screw, Hex, M6 X 1.00 X 25, Ss	1
▲	9	41579	(10000000- 20000000 )	Washer, Flat, #08, Ss	4
▲	10	33932	(10000000- 20000000 )	Nut, Hex, Lock, M4 X 0.70, NI, Ss	4
▲	11	08712	(10000000- 20000000 )	Nut, Hex, Lock, M6 X 1.00, Ss, NI	2

▽ ASSEMBLY

▲ INCLUDED IN ASSEMBLY